



Heavy Duty Connector

DEGSON Terminal Block

NINGBO DEGSON ELECTRICAL CO., LTD.
 ISO9001 ISO14001 ISO80079-34 ISO/TS22163 IATF16949

DEGSON Circular Connectors

NINGBO DEGSON ELECTRICAL CO., LTD.
 ISO9001 ISO14001 ISO80079-34 ISO/TS22163 IATF16949

DEGSON Din Rail Terminal Block

NINGBO DEGSON ELECTRICAL CO., LTD.
 ISO9001 ISO14001 ISO80079-34 ISO/TS22163 IATF16949

DEGSON EV Charger

DEGSON TECHNOLOGY CO.,LTD.
 IATF16949

DEGSON Electronic product

NINGBO DEGSON ELECTRICAL CO., LTD.
 ISO9001 ISO14001 ISO80079-34 ISO/TS22163 IATF16949

DEGSON Customized Product

NINGBO DEGSON ELECTRICAL CO., LTD.
 ISO9001 ISO14001 ISO80079-34 ISO/TS22163 IATF16949



DEGSON
 NINGBO DEGSON ELECTRICAL CO., LTD.
 Add : No.1585.Xiaolin Road.Cixi.Ningbo China
 P.C. : 315321
www.degson.com

Tel : +86-574-63510770
 E-mail : sale@degson.com

The catalog is only for reference, and the detail data must be based on our company's specification!



HC 22-E01

Brief Introduction

Founded in 1990, DEGSON is a global solution provider of electrical, electronic and industrial connectors. As a National High-tech enterprise, DEGSON owns the UL and VDE certified laboratory. The company achieved ISO9001, ISO14001, ISO80079-34, ISO/TS22163 and IATF16949 management system certifications.

DEGSON is engaged in supplying highly reliable and durable products to serve global customers. The company has a market-leading capability of mould processing, automatic manufacturing and advanced testing. DEGSON has the complete engineering ability to support global customers with the professional customization solution and value-added service.

DEGSON products are widely recognized in China, the USA, Germany, the UK, Italy, Spain, Turkey, Japan, South Korea, Singapore, etc. totally hundred countries and regions. DEGSON supply high quality products and provide professional services globally in the industry sectors likely industrial automation, instrument, electric power, railway, marine and offshore, new energy, E-bike industrial elevator, lighting, security, machinery, etc. The company won the recognition from partners among Fortune 500 and industry leading enterprises.

Based on the business philosophy of "pragmatic innovation, responsibility, integrity, harmonious development, regulation and win-win", DEGSON continuously integrates professional technical resources, R&D innovation, product manufacturing and technology application capabilities. Relying on global sales network, DEGSON aims to supply series of multiple varieties of high-quality products and services. We provide global customers with professional and quick connected application solutions, help customers continue to create value. DEGSON is making contributions to creating a smart and interconnected world.



First UL & VDE Certified Laboratory in Asia

Strategic cooperation with UL and VDE



① The general manager of UL global energy & technology division visit our company



② Sven Ohrke, President of VDE global services, discusses mutual strategic cooperation in DEGSON



③ VDE Laboratory Accreditation: In July 2010, VDE issued the "VDE Authorized Laboratory" certificate to DEGSON laboratory.

UL laboratory accreditation: UL formally issued "UL WTDP" certificate to DEGSON in March 2013. In April, 2016, UL-CTDP. In December, 2016, VDE-TDAP. In January, 2017, Pass IRIS system audit.



ISO9001

ISO14001

ISO22163

UL - CTDP

VDE - TDAP

EX certificate



UL Certificates:10,Covering 4000+Products VDE Certificates:175,Covering 3000+Products

TUV certificate

EAC certificate

CE certificate

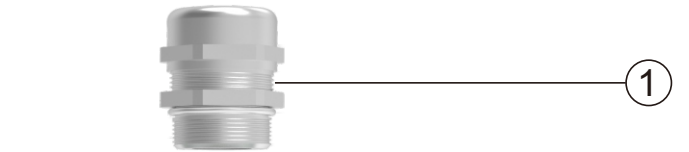
European invention patent

CONTENTS

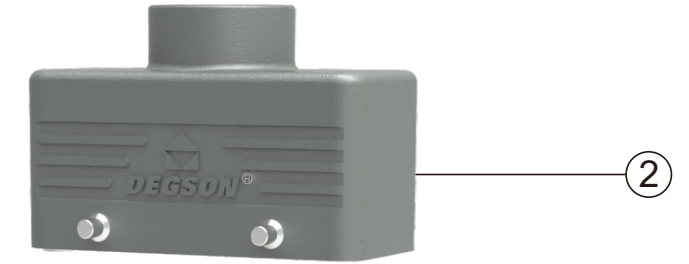
- ◆ Assembly Details01
- ◆ How to Order02
- ◆ Housing Matched Contact Insert03-04
- ◆ Housings Connector Insert Protection05
- ◆ Inserts
 - Small Series.....06-10
 - Ultra High Density Series..... 11-26
 - Standard Series 27-33
 - High Density Series 34-42
 - Compact Series.....43-60
 - High Current Series.....61-62
 - Combination Series.....63-72
 - Modular Fixing Frame73-74
 - Modular Series75-106
- ◆ Hoods & Housings
 - Hoods & Housings Feature107
 - D3A Series108-110
 - D10A Series111
 - D16A Series112
 - D32A Series113-114
 - D6B Series115-117
 - D10B Series118-123
 - D16B Series124-130
 - D24B Series131-137
 - D32B Series138-139
 - D48B Series140
 - DC Series141
- ◆ Accessory
 - Set general introduction142-147
 - Housings Mounting Dimensions148-149
 - Crimp Contacts150
 - Cable Connector Part Number Guidelines151-155
 - Tools & Coding156

Assembly Details

① Cable gland:
M type thread or PG type thread ,depending on wire range of cables or conductors.



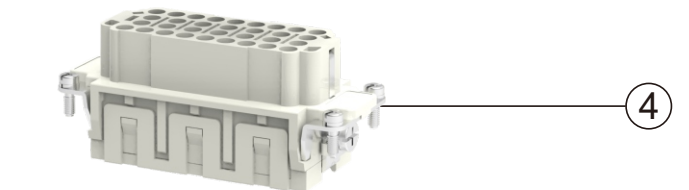
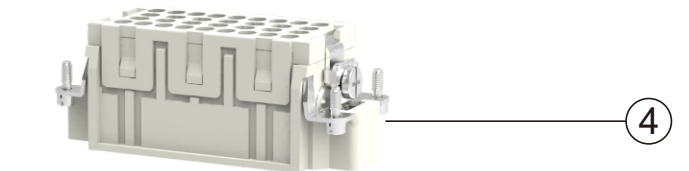
② Hoods:
Standard or high construction, top or side cable entry,2 or 4 locking point,1 or 2 locking levers.



③ Male contact & Female contact:
Normal material is copper alloy,silver plated or gold plated.



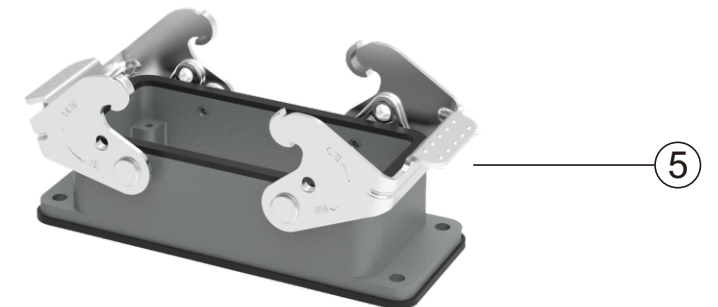
④ Male insert & Female insert:
Male insert with screw connection or crimp connection or cage-clamp connection or push-in connection.



⑤ Housing:
Bulkhead mounting,surface mounting or cable to cable type, with 1 or 2 locking levers and 2 or 4 locking points.

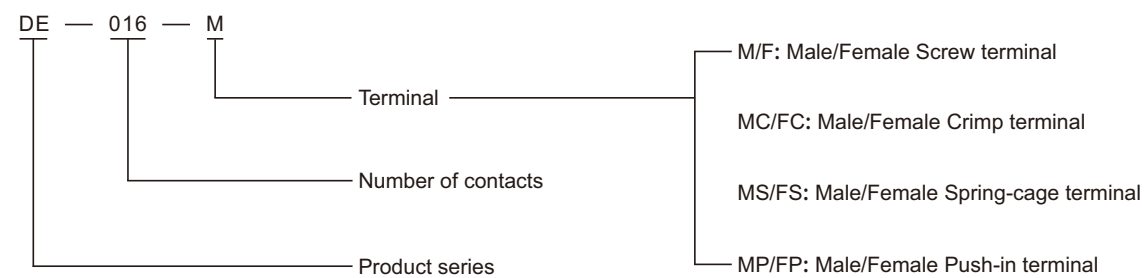


Accessories:
Protection covers/code and guide pins for coding/tools.

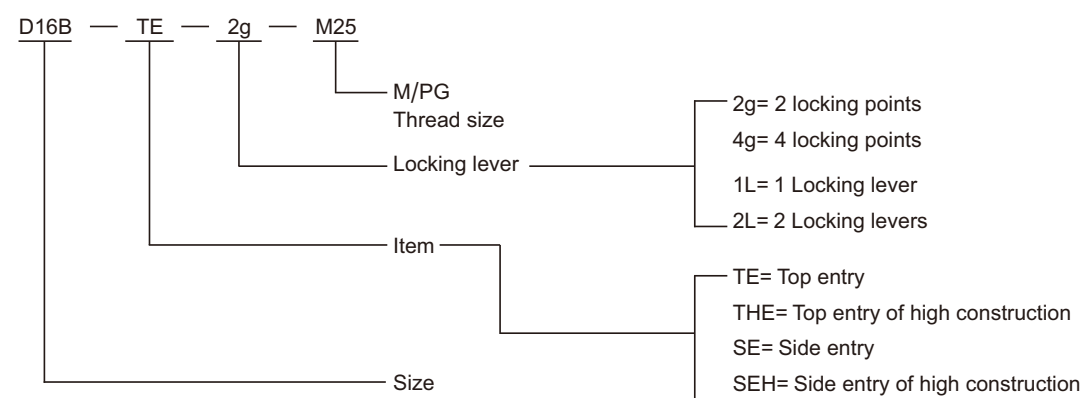


How to Order

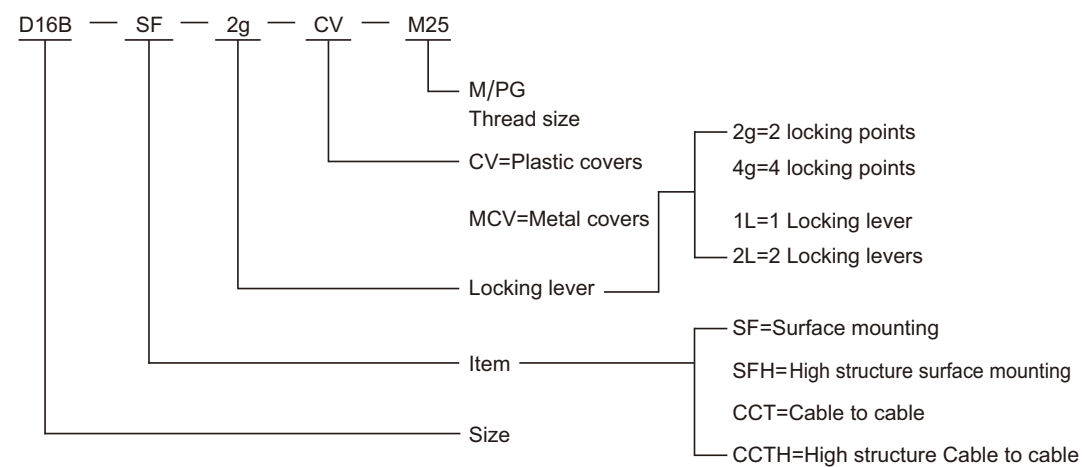
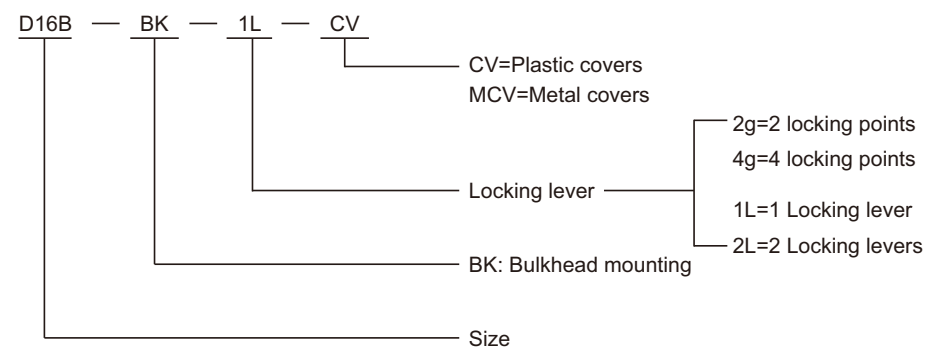
Inserts



Hoods



Housings



A Serie Housing Matched Contact Insert

Top Entry

Side Entry

| | | | | | | | |
|----|------------|------------|------------|------------|------------|------------|------------|
| 3A | DA-003 | DA-004 | DD-007 | DD-008 | DQ-005 | DQ-007 | DQ-012 |
| | 3P+⊕ | 4P+⊕ | 7P+⊕ | 8P | 5P+⊕ | 7P+⊕ | 12P+⊕ |
| | 10A | 10A | 10A | 10A | 16A | 16A | 10A |
| | 230/400V | 230/400V | 250V | 50V | 230/400V | 400V | 400V |

开孔安装
Bulkhead Mounting

开口安装斜出
Bulkhead Mounting

面板安装
Bulkhead Mounting

电缆对接
Cable to Cable

Top Entry

Side Entry

| | | |
|-----|-------------|-------------|
| 10A | DA-010 | DD-015 |
| | 16A | DA-016 |
| 32A | DA-032 | DD-050 |
| | 10,16,32P+⊕ | 15,25,50P+⊕ |
| | 16A | 10A |
| | 250V | 250V |

Bulkhead Mounting

Surface Mounting

Cable To Cable

B Serie Housing Matched Contact Insert

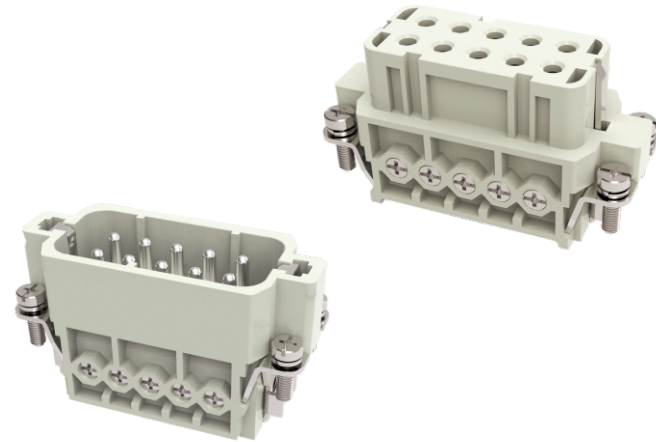
| | Top Entry | | Side Entry | | |
|-----|---|-------------------------------------|---------------------------------|-------------------------------------|------------------------------------|
| 6B | | | | | |
| | DDD-024 24P+⊕ 10A 250V | DE-006 6P+⊕ 16A 500V | DEE-010 10P+⊕ 16A 500V | DF6B 2 modules | |
| 10B | | | | | |
| | DDD-042 42P+⊕ 10A 250V | DE-010 10P+⊕ 16A 500V | DEE-018 18P+⊕ 16A 500V | DK-8/24 32P+⊕ 16/10A 400/250V | DF10B 3 modules |
| 16B | | | | | |
| | DD-040 40P+⊕ 10A 250V | DDD-072 72P+⊕ 10A 250V | DE-016 16P+⊕ 16A 500V | DEE-032 32P+⊕ 16A 500V | DK-4/0 4P+⊕ 80A 690V |
| | | | | | |
| | DK-4/2 6P+⊕ 80/16A 690/400V | DK-12/2 14P+⊕ 40/10A 690/250V | DSB-006 6P+⊕ 35A 400/690V | DF16B 4 modules | |
| 24B | | | | | |
| | DD-064 64P+⊕ 10A 250V | DDD-108 108P+⊕ 10A 250V | DE-024 24P+⊕ 16A 500V | DEE-046 46P+⊕ 16A 500V | DK-4/8 12P+⊕ 80/16A 400/400V |
| | | | | | |
| | DK-8/0 8P+⊕ 100A 690V | DF24B 6 modules | | | |
| 32B | DD-080, DDD-144, DE-032, DEE-064, DSB-012 | | | | |
| 48B | DD-128, DDD-216, DE-048, DEE-092 | | | | |
| | | | | | |
| | Bulkhead Mounting | Surface Mounting | Cable To Cable | | |

Housings Connector Insert Protection

The connector's housing, sealing and locking mechanism protect the connection from external influences such as mechanical shocks, foreign bodies, humidity, dust, water or other fluids such as cleaning and cooling agents, oils, etc. The degree of protection the housing offers is explained in the IEC60529, DIN EN60529, standards that categorize enclosures according to foreign body and water protection.

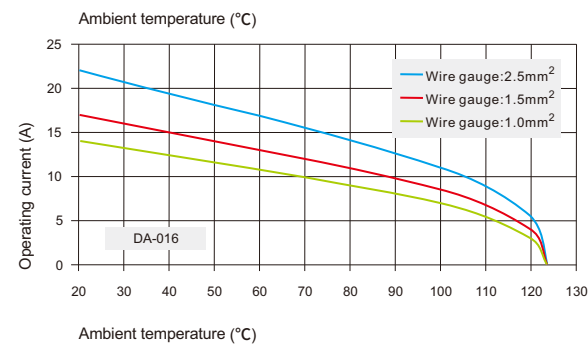
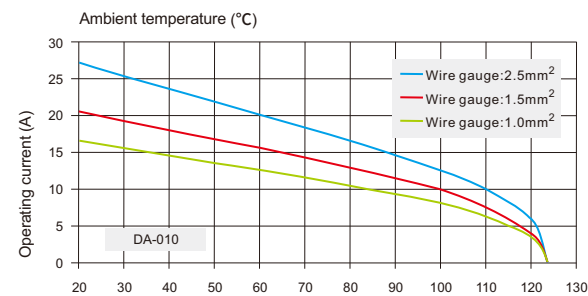
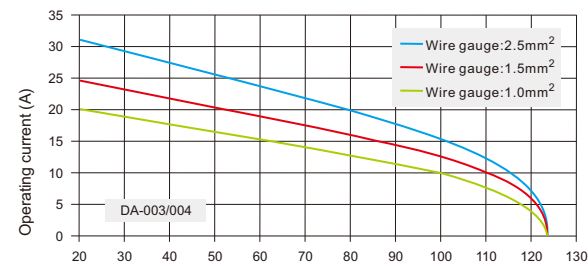
| | Code letters (International protection) | | First Index Figure (Foreign bodies protection) | | Second Index Figure (Water protection) | |
|--------------|--|--|--|--------------|---|---|
| | IP | | 6 | | 5 | |
| Index figure | Index figure | | Index figure | Index figure | | |
| 0 | No protection | | No protection against accidental contact, no protection against solid foreign bodies | 0 | No protection against water | No protection against water |
| 1 | Protection against large foreign bodies | | Protection against contact with any large area by hand and against large solid foreign bodies with $\phi > 50\text{mm}$ | 1 | Drip-proof | Protection against vertical water drips |
| 2 | Protection against medium sized foreign bodies | | Protection against contact with the fingers, protection against solid foreign bodies with $\phi > 12\text{mm}$ | 2 | Drip-proof | Protection against water drips (up to a 15° angle) |
| 3 | Protection against small solid foreign bodies | | Protection against tools, wires or similar objects with $\phi > 2.5\text{mm}$, protection against small foreign solid bodies with $\phi > 2.5\text{mm}$ | 3 | Spray-proof | Protection against diagonal water drips (up to a 60° angle) |
| 4 | Protection against grain-shaped foreign bodies | | As 3 however $\phi > 1\text{mm}$ | 4 | Splash-proof | Protection against splashed water from all direction |
| 5 | Protection against injurious deposits of dust | | Full protection against contact, protection against interior injurious dust deposits | 5 | Hose-proof | Protection against water (out of a nozzle) from all directions |
| 6 | Protection against ingress of dust | | Total protection against contact, protection against penetration of dust | 6 | Strong hose-proof | Protection against strong water (out of a nozzle) from all directions |
| | | | | 7 | Protection against immersion | Protection against temporary immersion |
| | | | | 8 | Protection water tight | Protection against water pressure |

DA - Series



Technical characteristics

| | |
|---------------------------------------|--|
| Specifications | DIN EN 60 664 DIN EN 61 984 |
| Inserts | |
| Number of contacts | 3,4,10,16,32(2X16)+PE |
| DA-003/004 | |
| • Rated current | 10A |
| • Rated voltage conductor-ground | 230V |
| • Rated voltage conductor-conductor | 400V |
| • Rated impulse voltage | 4KV |
| • Pollution degree | 3 |
| • or | 10A 250V 4KV 3 |
| DA-010/016 | |
| • Rated current | 16A |
| • Rated voltage | 250V |
| • Rated impulse voltage | 4KV |
| • Pollution degree | 3 |
| • Pollution degree 2 also | 16A 230/400V 4KV 2 |
| Rated voltage acc.to UL CSA | 600V |
| Insulation resistance | ≥ 10 ¹⁰ Ω |
| Material | Polycarbonate |
| Limiting temperatures | -40 °C ~+125 °C |
| Flammability acc.to UL94 | V0 |
| Mechanical working life-mating cycles | ≥ 500 |
| Contacts | |
| Material | Copper alloy |
| Surface | Hard-gold plated Hard-silver plated |
| Contact resistance | ≤ 1m Ω |
| Screw terminal | |
| • Wire gauge | 1-2.5mm ² |
| • AWG | 18-14 |
| • Tightening torque | 0.25Nm(DA-003/004) or 0.5Nm(DA-010/016) |
| Crimp terminal | |
| • Wire gauge | 0.14-4mm ² |
| • AWG | 26-12 |
| Cage-clamp | |
| • Wire gauge | 0.14-2.5mm ² |
| • AWG | 26-14 |



Current carrying capacity

The current carrying is limited by maximum temperature of materials for Inserts and contacts including terminals.

Measuring and testing techniques according to DIN EN 60512-5.

DA-003/004 The Slim Inserts 230V/400V 10A 3/4+ ⊕

Hoods/Housings: Matching 3A Hoods Housing, detail on P108-110

| Inserts | Male | Female | Wire gauge | | Drawing |
|-----------------------|-----------|-----------|-----------------|-------|--------------------------------|
| | | | mm ² | AWG | |
| <p>Screw terminal</p> | DA-003-M | DA-003-F | 0.75-1.5 | 18-14 | <p>Dimension and hole site</p> |
| <p>Cage-clamp</p> | DA-003-MS | DA-003-FS | 0.5-2.5 | 20-14 | <p>Dimension and hole site</p> |
| <p>Screw terminal</p> | DA-004-M | DA-004-F | 0.75-1.5 | 18-14 | <p>Dimension and hole site</p> |
| <p>Cage-clamp</p> | DA-004-MS | DA-004-FS | 0.5-2.5 | 20-14 | <p>Dimension and hole site</p> |

DA-010 The Slim Inserts 250V 16A 10+ \oplus

Hoods/Housings: Matching 10A Hoods Housing, detail on P111

| Inserts | Male | Female | Wire gauge | | Drawing |
|---------|-----------|-----------|-----------------|-------|--|
| | | | mm ² | AWG | |
| | DA-010-M | DA-010-F | 1.0-2.5 | 18-14 | <p>Distance for contact max.24mm</p> <p>Contacts arrangement view for termination side</p> <p>Panel cut out for use without Hoods/housings</p> |
| | DA-010-MC | DA-010-FC | 0.14-4.0 | 26-12 | |
| | DA-010-MC | DA-010-FC | 0.14-4.0 | 26-12 | <p>Contacts arrangement view for termination side</p> <p>Panel cut out for use without Hoods/housings</p> |
| | DA-010-MC | DA-010-FC | 0.14-4.0 | 26-12 | |

Accessories

When cold pressing connection is selected, additional stitches are needed, as shown in the attachment below:

(16A) Crimp contacts

Material: Copper alloy
 Contact resistance $\leq 1\text{m}\Omega$
 Matching: DA, DE, DEE, DM, DK inserts
 Surface: Gold/silver plated
 Terminal: Crimp connection



| Contacts, silver-plated | | Contacts, gold plated | | ϕ (A) | Wire gauge | | Recommended stripping length |
|-------------------------|-----------------|-----------------------|-----------------|------------|--------------------|-------|------------------------------|
| Male Contacts | Female Contacts | Male Contacts | Female Contacts | | (mm ²) | (AWG) | |
| 16A-SM-0.37 | 16A-SF-0.37 | 16A-GM-0.37 | 16A-GF-0.37 | 0.9 | 0.14-0.37 | 26-22 | 7.5mm |
| 16A-SM-0.5 | 16A-SF-0.5 | 16A-GM-0.5 | 16A-GF-0.5 | 1.1 | 0.50 | 20 | 7.5mm |
| 16A-SM-0.75 | 16A-SF-0.75 | 16A-GM-0.75 | 16A-GF-0.75 | 1.3 | 0.75 | 18 | 7.5mm |
| 16A-SM-1.0 | 16A-SF-1.0 | 16A-GM-1.0 | 16A-GF-1.0 | 1.45 | 1.00 | 18 | 7.5mm |
| 16A-SM-1.5 | 16A-SF-1.5 | 16A-GM-1.5 | 16A-GF-1.5 | 1.75 | 1.50 | 16 | 7.5mm |
| 16A-SM-2.5 | 16A-SF-2.5 | 16A-GM-2.5 | 16A-GF-2.5 | 2.25 | 2.50 | 14 | 7.5mm |
| 16A-SM-4.0 | 16A-SF-4.0 | 16A-GM-4.0 | 16A-GF-4.0 | 2.85 | 4.00 | 12 | 7.5mm |

Tools



Crimping tool

Wire gauge : 0.5~4.0mm² (AWG 20-12)
 Type : TL1-4.0



Removal tool

For: 16A 16A Crimp contacts
 Type : RT-16A

DA-016 The Slim Inserts 250V 16A 16+ \oplus

Hoods/Housings: Matching 16A Hoods Housing, detail on P112

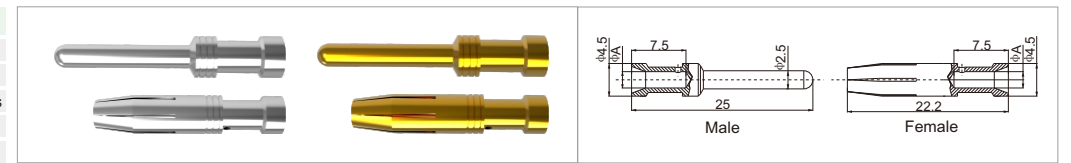
| Inserts | Male | Female | Wire gauge | | Drawing |
|---------|-----------|-----------|-----------------|-------|--|
| | | | mm ² | AWG | |
| | DA-016-M | DA-016-F | 1.0-2.5 | 18-14 | <p>Distance for contact max.24mm</p> <p>Contacts arrangement view for termination side</p> <p>Panel cut out for use without Hoods/housings</p> |
| | DA-016-MC | DA-016-FC | 0.14-4.0 | 26-12 | |
| | DA-016-MC | DA-016-FC | 0.14-4.0 | 26-12 | <p>Contacts arrangement view for termination side</p> <p>Panel cut out for use without Hoods/housings</p> |
| | DA-016-MC | DA-016-FC | 0.14-4.0 | 26-12 | |

Accessories

When cold pressing connection is selected, additional stitches are needed, as shown in the attachment below:

(16A) Crimp contacts

Material: Copper alloy
 Contact resistance $\leq 1\text{m}\Omega$
 Matching: DA, DE, DEE, DM, DK inserts
 Surface: Gold/silver plated
 Terminal: Crimp connection



| Contacts, silver-plated | | Contacts, gold plated | | ϕ (A) | Wire gauge | | Recommended stripping length |
|-------------------------|-----------------|-----------------------|-----------------|------------|--------------------|-------|------------------------------|
| Male Contacts | Female Contacts | Male Contacts | Female Contacts | | (mm ²) | (AWG) | |
| 16A-SM-0.37 | 16A-SF-0.37 | 16A-GM-0.37 | 16A-GF-0.37 | 0.9 | 0.14-0.37 | 26-22 | 7.5mm |
| 16A-SM-0.5 | 16A-SF-0.5 | 16A-GM-0.5 | 16A-GF-0.5 | 1.1 | 0.50 | 20 | 7.5mm |
| 16A-SM-0.75 | 16A-SF-0.75 | 16A-GM-0.75 | 16A-GF-0.75 | 1.3 | 0.75 | 18 | 7.5mm |
| 16A-SM-1.0 | 16A-SF-1.0 | 16A-GM-1.0 | 16A-GF-1.0 | 1.45 | 1.00 | 18 | 7.5mm |
| 16A-SM-1.5 | 16A-SF-1.5 | 16A-GM-1.5 | 16A-GF-1.5 | 1.75 | 1.50 | 16 | 7.5mm |
| 16A-SM-2.5 | 16A-SF-2.5 | 16A-GM-2.5 | 16A-GF-2.5 | 2.25 | 2.50 | 14 | 7.5mm |
| 16A-SM-4.0 | 16A-SF-4.0 | 16A-GM-4.0 | 16A-GF-4.0 | 2.85 | 4.00 | 12 | 7.5mm |

Tools



Crimping tool

Wire gauge : 0.5~4.0mm² (AWG 20-12)
 Type : TL1-4.0



Removal tool

For: 16A 16A Crimp contacts
 Type : RT-16A

DA-032 The Slim Inserts 250V 16A 32+ ⊕

Hoods/Housings: Matching 32A Hoods Housing, detail on P113-114

| Inserts | Male | Female | Wire gauge | | Drawing |
|-----------------------|-------------------------------|-------------------------------|-----------------|-------|--|
| | | | mm ² | AWG | |
| <p>Screw terminal</p> | DA-016-M DA-016-M(17-32) | DA-016-F DA-016-F(17-32) | 1.0-2.5 | 18-14 | <p>Distance for contact max.21mm</p> <p>Contacts arrangement view for termination side</p> |
| <p>Crimp terminal</p> | DA-016-MC DA-016-MC(17-32) | DA-016-FC DA-016-FC(17-32) | 0.14-4.0 | 26-14 | <p>Panel cut out for use without Hoods/housings</p> |

Accessories

When cold pressing connection is selected, additional stitches are needed, as shown in the attachment below:

(16A) Crimp contacts

Material: Copper alloy
 Contact resistance ≤ 1mΩ
 Matching: DA, DE, DEE, DM, DK inserts
 Surface: Gold/silver plated
 Terminal: Crimp connection



| Contacts, silver-plated | | Contacts, gold plated | | (φ A) | Wire gauge | | Recommended stripping length |
|-------------------------|-----------------|-----------------------|-----------------|-------|--------------------|-------|------------------------------|
| Male Contacts | Female Contacts | Male Contacts | Female Contacts | | (mm ²) | (AWG) | |
| 16A-SM-0.37 | 16A-SF-0.37 | 16A-GM-0.37 | 16A-GF-0.37 | 0.9 | 0.14-0.37 | 26-22 | 7.5mm |
| 16A-SM-0.5 | 16A-SF-0.5 | 16A-GM-0.5 | 16A-GF-0.5 | 1.1 | 0.50 | 20 | 7.5mm |
| 16A-SM-0.75 | 16A-SF-0.75 | 16A-GM-0.75 | 16A-GF-0.75 | 1.3 | 0.75 | 18 | 7.5mm |
| 16A-SM-1.0 | 16A-SF-1.0 | 16A-GM-1.0 | 16A-GF-1.0 | 1.45 | 1.00 | 18 | 7.5mm |
| 16A-SM-1.5 | 16A-SF-1.5 | 16A-GM-1.5 | 16A-GF-1.5 | 1.75 | 1.50 | 16 | 7.5mm |
| 16A-SM-2.5 | 16A-SF-2.5 | 16A-GM-2.5 | 16A-GF-2.5 | 2.25 | 2.50 | 14 | 7.5mm |
| 16A-SM-4.0 | 16A-SF-4.0 | 16A-GM-4.0 | 16A-GF-4.0 | 2.85 | 4.00 | 12 | 7.5mm |

Tools



Crimping tool

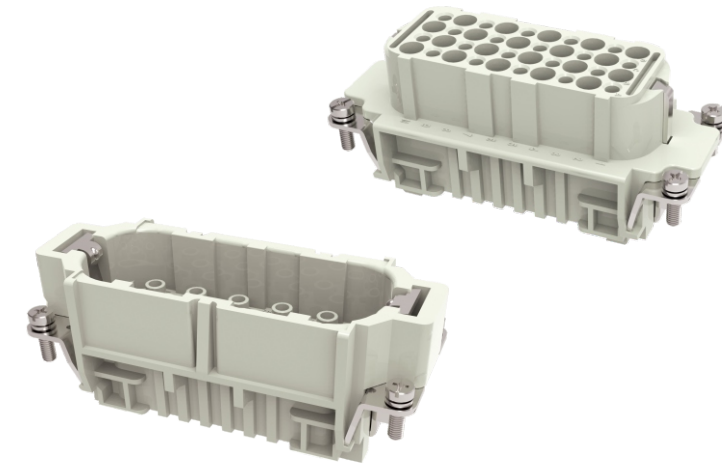
Wire gauge : 0.5~4.0mm² (AWG 20-12)
 Type : TL1-4.0



Removal tool

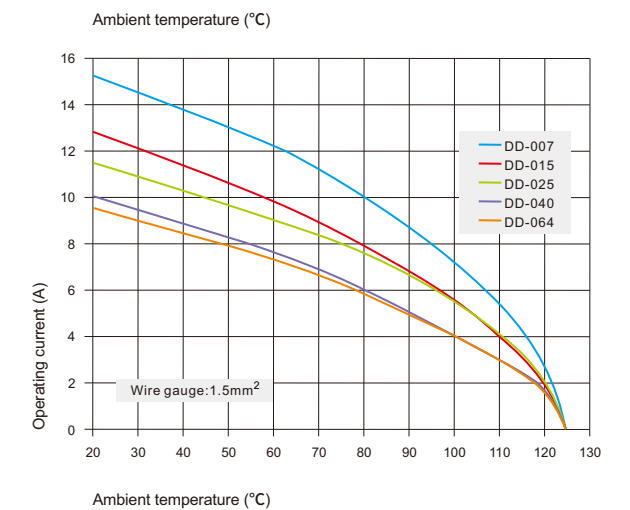
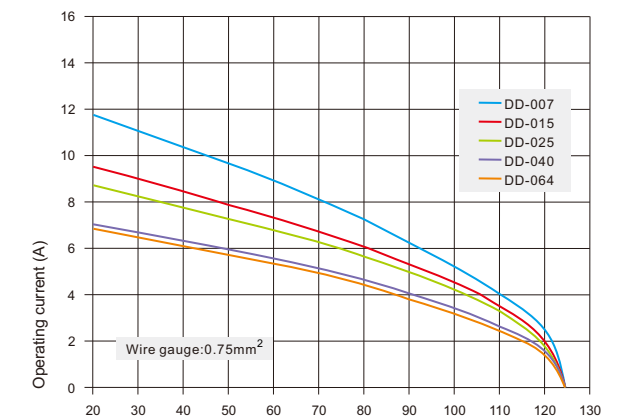
For: 16A 16A Crimp contacts
 Type : RT-16A

DD - Series



Technical characteristics

| | |
|---------------------------------------|--|
| Specifications | DIN EN 60 664 DIN EN 61 984 |
| Inserts | |
| Electrical data acc. To EN 61 984 | |
| Number of contacts | 7,15,25,40,50(25X2),64,80(40X2),128(64X2)+PE |
| • Rated current | 10A |
| • Rated voltage | 250V |
| • Rated impulse voltage | 4KV |
| • Pollution degree | 3 |
| • Pollution degree 2 also | 10A 230/400V 4KV 2 |
| Rated voltage acc. to UL CSA | 600V |
| DD-008 | |
| • Rated current | 10A |
| • Rated voltage | ~50V/-120V |
| • Rated impulse voltage | 0.8KV |
| • Pollution degree | 3 |
| • Rated voltage acc. to UL CSA | 50V |
| • Rated voltage (DC voltage) | 120V |
| Insulation resistance | ≥ 10 ¹⁰ Ω |
| Material | Polycarbonate |
| Limiting temperatures | -40 °C ~+125 °C |
| Flammability acc. to UL94 | V0 |
| Mechanical working life-mating cycles | ≥ 500 |
| Contacts | |
| Material | Copper alloy |
| Surface | Hard-gold plated Hard-silver plated |
| Contact resistance | ≤ 3m Ω |
| Crimp terminal | |
| • Wire gauge | 0.14-2.5mm ² |
| • AWG | 26-14 |



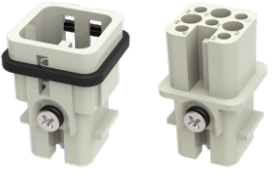
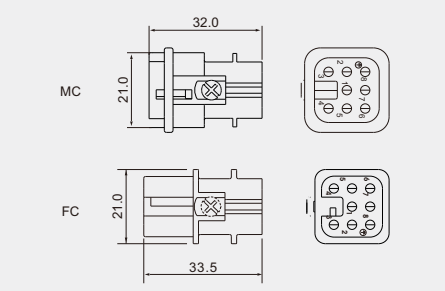
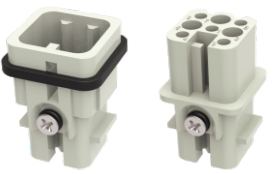
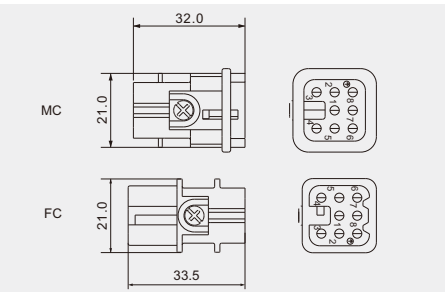
Current carrying capacity

The current carrying is limited by maximum temperature of materials for Inserts and contacts including terminals.

Measuring and testing techniques according to DIN EN 60512-5.

DD-007 Ultra-high Density Inserts 250V 10A 7+ \oplus
 DD-008 Ultra-high Density Inserts -120V/~50V 10A 8+ \oplus

Hoods/Housings: Matching 3A Hoods Housing, detail on P108-110

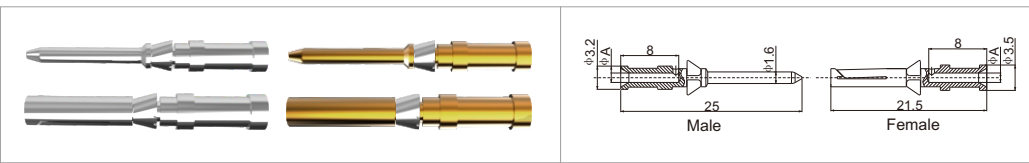
| Inserts | Male | Female | Wire gauge | | Drawing |
|--|-----------|-----------|-----------------|-------|--|
| | | | mm ² | AWG | |
| Crimp terminal  | DD-007-MC | DD-007-FC | 0.14-2.5 | 26-14 | Dimension and hole site  |
| Crimp terminal  | DD-008-MC | DD-008-FC | 0.14-2.5 | 26-14 | Dimension and hole site  |

Accessories

When cold pressing connection is selected, additional stitches are needed, as shown in the attachment below:

(10A) Crimp contacts

Material: Copper alloy
 Contact resistance $\leq 3m\Omega$
 Matching: DD,DDD,DM,DK,DQ inserts
 Surface: Gold/silver plated
 Terminal: Crimp connection



| Contacts, silver-plated | | Contacts, gold plated | | ϕ (A) | Wire gauge | | Recommended stripping length |
|-------------------------|-----------------|-----------------------|-----------------|------------|--------------------|-------|------------------------------|
| Male Contacts | Female Contacts | Male Contacts | Female Contacts | | (mm ²) | (AWG) | |
| 10A-SM-0.37 | 10A-SF-0.37 | 10A-GM-0.37 | 10A-GF-0.37 | 0.9 | 0.14-0.37 | 26-22 | 8mm |
| 10A-SM-0.5 | 10A-SF-0.5 | 10A-GM-0.5 | 10A-GF-0.5 | 1.1 | 0.50 | 20 | 8mm |
| 10A-SM-0.75 | 10A-SF-0.75 | 10A-GM-0.75 | 10A-GF-0.75 | 1.3 | 0.75 | 18 | 8mm |
| 10A-SM-1.0 | 10A-SF-1.0 | 10A-GM-1.0 | 10A-GF-1.0 | 1.45 | 1.00 | 18 | 8mm |
| 10A-SM-1.5 | 10A-SF-1.5 | 10A-GM-1.5 | 10A-GF-1.5 | 1.75 | 1.50 | 16 | 8mm |
| 10A-SM-2.5 | 10A-SF-2.5 | 10A-GM-2.5 | 10A-GF-2.5 | 2.25 | 2.50 | 14 | 6mm |

Tools

Crimping tool

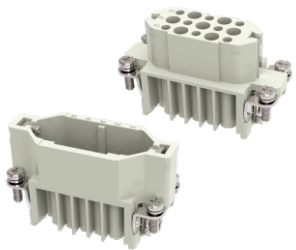
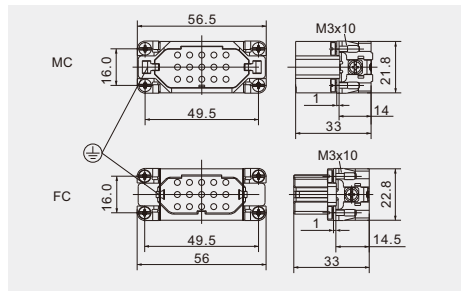
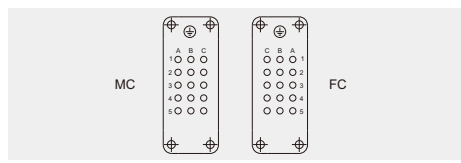
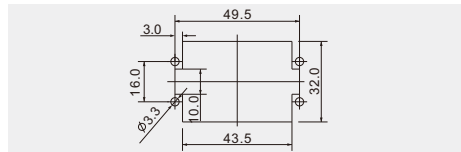
Wire gauge : 0.5~4.0mm² (AWG 20-12)
 Type : TL1-4.0


Removal tool

For: 10A 10A Crimp contacts
 Type : RT-10A

DD-015 Ultra-high Density Inserts 250V 10A 15+ \oplus

Hoods/Housings: Matching 10A Hoods Housing, detail on P111

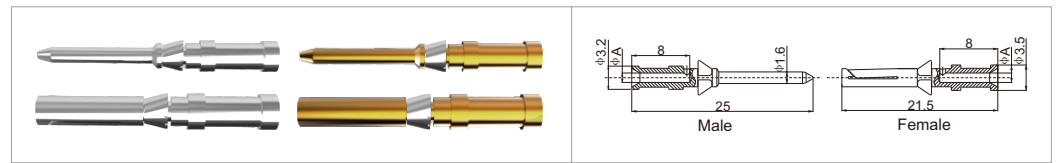
| Inserts | Male | Female | Wire gauge | | Drawing |
|---|-----------|-----------|-----------------|-------|---|
| | | | mm ² | AWG | |
| Crimp terminal  | DD-015-MC | DD-015-FC | 0.14-2.5 | 26-14 | Distance for contact max.24mm  Contacts arrangement view for termination side  Panel cut out for use without Hoods/housings  |

Accessories

When cold pressing connection is selected, additional stitches are needed, as shown in the attachment below:

(10A) Crimp contacts

Material: Copper alloy
 Contact resistance $\leq 3m\Omega$
 Matching: DD,DDD,DM,DK,DQ inserts
 Surface: Gold/silver plated
 Terminal: Crimp connection



| Contacts, silver-plated | | Contacts, gold plated | | ϕ (A) | Wire gauge | | Recommended stripping length |
|-------------------------|-----------------|-----------------------|-----------------|------------|--------------------|-------|------------------------------|
| Male Contacts | Female Contacts | Male Contacts | Female Contacts | | (mm ²) | (AWG) | |
| 10A-SM-0.37 | 10A-SF-0.37 | 10A-GM-0.37 | 10A-GF-0.37 | 0.9 | 0.14-0.37 | 26-22 | 8mm |
| 10A-SM-0.5 | 10A-SF-0.5 | 10A-GM-0.5 | 10A-GF-0.5 | 1.1 | 0.50 | 20 | 8mm |
| 10A-SM-0.75 | 10A-SF-0.75 | 10A-GM-0.75 | 10A-GF-0.75 | 1.3 | 0.75 | 18 | 8mm |
| 10A-SM-1.0 | 10A-SF-1.0 | 10A-GM-1.0 | 10A-GF-1.0 | 1.45 | 1.00 | 18 | 8mm |
| 10A-SM-1.5 | 10A-SF-1.5 | 10A-GM-1.5 | 10A-GF-1.5 | 1.75 | 1.50 | 16 | 8mm |
| 10A-SM-2.5 | 10A-SF-2.5 | 10A-GM-2.5 | 10A-GF-2.5 | 2.25 | 2.50 | 14 | 6mm |

Tools

Crimping tool

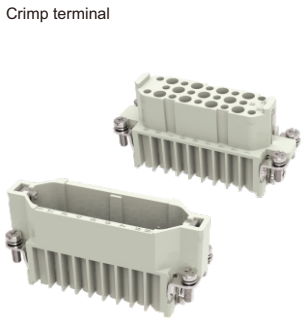
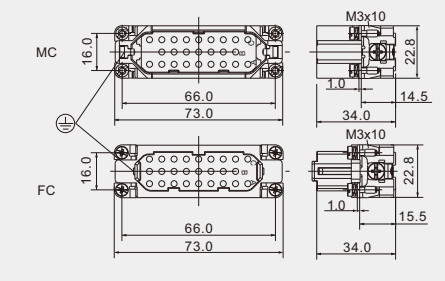
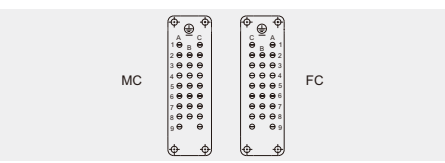
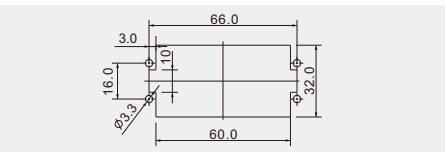
Wire gauge : 0.5~4.0mm² (AWG 20-12)
 Type : TL1-4.0


Removal tool

For: 10A 10A Crimp contacts
 Type : RT-10A

DD-025 Ultra-high Density Inserts 250V 10A 25+ ⊕

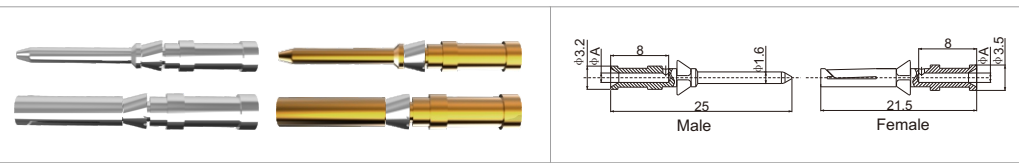
Hoods/Housings: Matching 16A Hoods Housing, detail on P112

| Inserts | Male | Female | Wire gauge | | Drawing |
|---|-----------|-----------|-----------------|-------|--|
| | | | mm ² | AWG | |
|  | DD-025-MC | DD-025-FC | 0.14-2.5 | 26-14 | Distance for contact max.24mm  Contacts arrangement view for termination side  Panel cut out for use without Hoods/housings  |

Accessories

When cold pressing connection is selected, additional stitches are needed, as shown in the attachment below:

(10A) Crimp contacts

 Material: Copper alloy
 Contact resistance ≤ 3mΩ
 Matching: DD,DDD,DM,DK,DQ inserts
 Surface: Gold/silver plated
 Terminal: Crimp connection


| Contacts, silver-plated | | Contacts, gold plated | | φ(A) | Wire gauge | | Recommended stripping length |
|-------------------------|-----------------|-----------------------|-----------------|------|--------------------|-------|------------------------------|
| Male Contacts | Female Contacts | Male Contacts | Female Contacts | | (mm ²) | (AWG) | |
| 10A-SM-0.37 | 10A-SF-0.37 | 10A-GM-0.37 | 10A-GF-0.37 | 0.9 | 0.14-0.37 | 26-22 | 8mm |
| 10A-SM-0.5 | 10A-SF-0.5 | 10A-GM-0.5 | 10A-GF-0.5 | 1.1 | 0.50 | 20 | 8mm |
| 10A-SM-0.75 | 10A-SF-0.75 | 10A-GM-0.75 | 10A-GF-0.75 | 1.3 | 0.75 | 18 | 8mm |
| 10A-SM-1.0 | 10A-SF-1.0 | 10A-GM-1.0 | 10A-GF-1.0 | 1.45 | 1.00 | 18 | 8mm |
| 10A-SM-1.5 | 10A-SF-1.5 | 10A-GM-1.5 | 10A-GF-1.5 | 1.75 | 1.50 | 16 | 8mm |
| 10A-SM-2.5 | 10A-SF-2.5 | 10A-GM-2.5 | 10A-GF-2.5 | 2.25 | 2.50 | 14 | 6mm |

Tools

Crimping tool


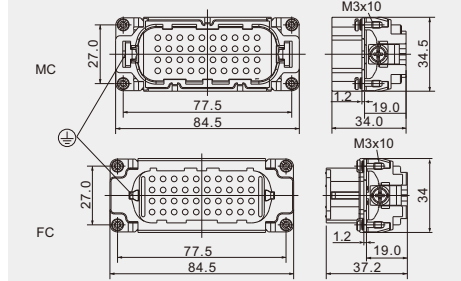
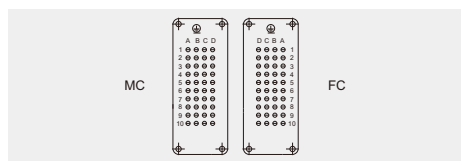
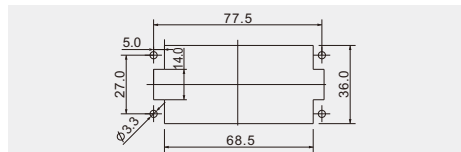
 Wire gauge : 0.5~4.0mm² (AWG 20-12)
 Type : TL1-4.0

Removal tool

 For: 10A 10A Crimp contacts
 Type : RT-10A

DD-040 Ultra-high Density Inserts 250V 10A 40+ ⊕

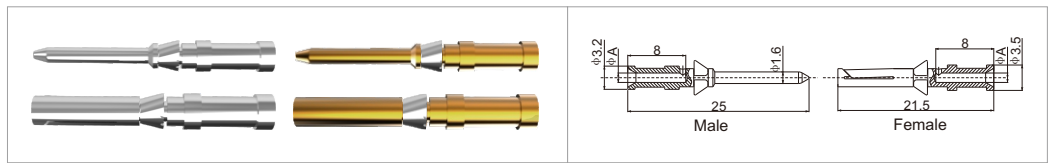
Hoods/Housings: Matching 16B Hoods Housing, detail on P124-130

| Inserts | Male | Female | Wire gauge | | Drawing |
|---|-----------|-----------|-----------------|-------|---|
| | | | mm ² | AWG | |
|  | DD-040-MC | DD-040-FC | 0.14-2.5 | 26-14 | Distance for contact max.24mm  Contacts arrangement view for termination side  Panel cut out for use without Hoods/housings  |

Accessories

When cold pressing connection is selected, additional stitches are needed, as shown in the attachment below:

(10A) Crimp contacts

 Material: Copper alloy
 Contact resistance ≤ 3mΩ
 Matching: DD,DDD,DM,DK,DQ inserts
 Surface: Gold/silver plated
 Terminal: Crimp connection


| Contacts, silver-plated | | Contacts, gold plated | | φ(A) | Wire gauge | | Recommended stripping length |
|-------------------------|-----------------|-----------------------|-----------------|------|--------------------|-------|------------------------------|
| Male Contacts | Female Contacts | Male Contacts | Female Contacts | | (mm ²) | (AWG) | |
| 10A-SM-0.37 | 10A-SF-0.37 | 10A-GM-0.37 | 10A-GF-0.37 | 0.9 | 0.14-0.37 | 26-22 | 8mm |
| 10A-SM-0.5 | 10A-SF-0.5 | 10A-GM-0.5 | 10A-GF-0.5 | 1.1 | 0.50 | 20 | 8mm |
| 10A-SM-0.75 | 10A-SF-0.75 | 10A-GM-0.75 | 10A-GF-0.75 | 1.3 | 0.75 | 18 | 8mm |
| 10A-SM-1.0 | 10A-SF-1.0 | 10A-GM-1.0 | 10A-GF-1.0 | 1.45 | 1.00 | 18 | 8mm |
| 10A-SM-1.5 | 10A-SF-1.5 | 10A-GM-1.5 | 10A-GF-1.5 | 1.75 | 1.50 | 16 | 8mm |
| 10A-SM-2.5 | 10A-SF-2.5 | 10A-GM-2.5 | 10A-GF-2.5 | 2.25 | 2.50 | 14 | 6mm |

Tools

Crimping tool

 Wire gauge : 0.5~4.0mm² (AWG 20-12)
 Type : TL1-4.0

Removal tool

 For: 10A 10A Crimp contacts
 Type : RT-10A

DD-050 Ultra-high Density Inserts 250V 10A 50+⊕

Hoods/Housings: Matching 32A Hoods Housing, detail on P113-114

| Inserts | Male | Female | Wire gauge | | Drawing |
|-----------------------|------------------|------------------|-----------------|-------|--|
| | | | mm ² | AWG | |
| <p>Crimp terminal</p> | DD-050-MC (2X25) | DD-050-FC (2X25) | 0.14-2.5 | 26-14 | <p>Distance for contact max.24mm</p> <p>Contacts arrangement view for termination side</p> <p>Panel cut out for use without Hoods/housings</p> |

Accessories

When cold pressing connection is selected, additional stitches are needed, as shown in the attachment below:

(10A) Crimp contacts

Material: Copper alloy
 Contact resistance ≤ 3mΩ
 Matching: DD,DDD,DM,DK,DQ inserts
 Surface: Gold/silver plated
 Terminal: Crimp connection

| Contacts, silver-plated | | Contacts, gold plated | | (φ A) | Wire gauge | | Recommended stripping length |
|-------------------------|-----------------|-----------------------|-----------------|-------|--------------------|-------|------------------------------|
| Male Contacts | Female Contacts | Male Contacts | Female Contacts | | (mm ²) | (AWG) | |
| 10A-SM-0.37 | 10A-SF-0.37 | 10A-GM-0.37 | 10A-GF-0.37 | 0.9 | 0.14-0.37 | 26-22 | 8mm |
| 10A-SM-0.5 | 10A-SF-0.5 | 10A-GM-0.5 | 10A-GF-0.5 | 1.1 | 0.50 | 20 | 8mm |
| 10A-SM-0.75 | 10A-SF-0.75 | 10A-GM-0.75 | 10A-GF-0.75 | 1.3 | 0.75 | 18 | 8mm |
| 10A-SM-1.0 | 10A-SF-1.0 | 10A-GM-1.0 | 10A-GF-1.0 | 1.45 | 1.00 | 18 | 8mm |
| 10A-SM-1.5 | 10A-SF-1.5 | 10A-GM-1.5 | 10A-GF-1.5 | 1.75 | 1.50 | 16 | 8mm |
| 10A-SM-2.5 | 10A-SF-2.5 | 10A-GM-2.5 | 10A-GF-2.5 | 2.25 | 2.50 | 14 | 6mm |

Tools



Crimping tool

Wire gauge : 0.5~4.0mm² (AWG 20-12)
 Type : TL1-4.0



Removal tool

For: 10A 10A Crimp contacts
 Type : RT-10A

DD-064 Ultra-high Density Inserts 250V 10A 64+⊕

Hoods/Housings: Matching 24B Hoods Housing, detail on P131-137

| Inserts | Male | Female | Wire gauge | | Drawing |
|-----------------------|-----------|-----------|-----------------|-------|--|
| | | | mm ² | AWG | |
| <p>Crimp terminal</p> | DD-064-MC | DD-064-FC | 0.14-2.5 | 26-14 | <p>Distance for contact max.24mm</p> <p>Contacts arrangement view for termination side</p> <p>Panel cut out for use without Hoods/housings</p> |

Accessories

When cold pressing connection is selected, additional stitches are needed, as shown in the attachment below:

(10A) Crimp contacts

Material: Copper alloy
 Contact resistance ≤ 3mΩ
 Matching: DD,DDD,DM,DK,DQ inserts
 Surface: Gold/silver plated
 Terminal: Crimp connection

| Contacts, silver-plated | | Contacts, gold plated | | (φ A) | Wire gauge | | Recommended stripping length |
|-------------------------|-----------------|-----------------------|-----------------|-------|--------------------|-------|------------------------------|
| Male Contacts | Female Contacts | Male Contacts | Female Contacts | | (mm ²) | (AWG) | |
| 10A-SM-0.37 | 10A-SF-0.37 | 10A-GM-0.37 | 10A-GF-0.37 | 0.9 | 0.14-0.37 | 26-22 | 8mm |
| 10A-SM-0.5 | 10A-SF-0.5 | 10A-GM-0.5 | 10A-GF-0.5 | 1.1 | 0.50 | 20 | 8mm |
| 10A-SM-0.75 | 10A-SF-0.75 | 10A-GM-0.75 | 10A-GF-0.75 | 1.3 | 0.75 | 18 | 8mm |
| 10A-SM-1.0 | 10A-SF-1.0 | 10A-GM-1.0 | 10A-GF-1.0 | 1.45 | 1.00 | 18 | 8mm |
| 10A-SM-1.5 | 10A-SF-1.5 | 10A-GM-1.5 | 10A-GF-1.5 | 1.75 | 1.50 | 16 | 8mm |
| 10A-SM-2.5 | 10A-SF-2.5 | 10A-GM-2.5 | 10A-GF-2.5 | 2.25 | 2.50 | 14 | 6mm |

Tools



Crimping tool

Wire gauge : 0.5~4.0mm² (AWG 20-12)
 Type : TL1-4.0


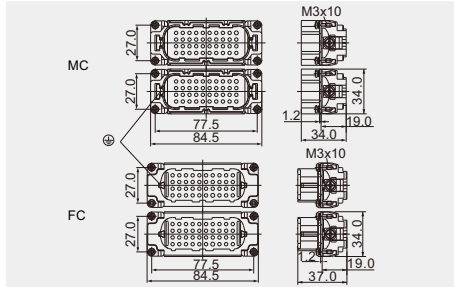
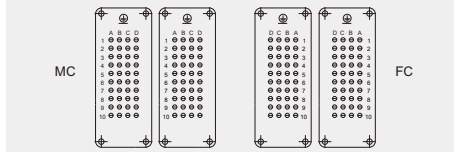
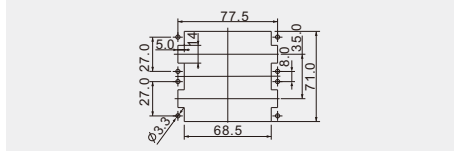


Removal tool

For: 10A 10A Crimp contacts
 Type : RT-10A

DD-080 Ultra-high Density Inserts 250V 10A 80+ \oplus

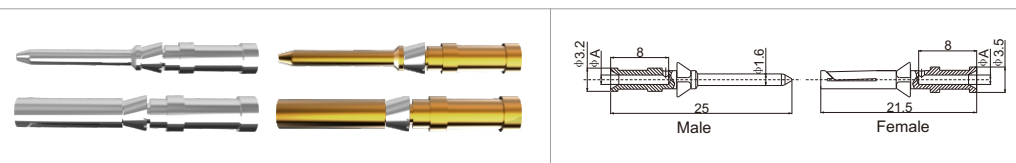
 Hoods/Housings: Matching **32B** Hoods Housing, detail on P138-139

| Inserts | Male | Female | Wire gauge | | Drawing |
|---|------------------|------------------|-----------------|-------|--|
| | | | mm ² | AWG | |
|  | DD-080-MC (2X40) | DD-080-FC (2X40) | 0.14-2.5 | 26-14 | Distance for contact max.24mm  Contacts arrangement view for termination side  Panel cut out for use without Hoods/housings  |

Accessories

When cold pressing connection is selected, additional stitches are needed, as shown in the attachment below:

(10A) Crimp contacts

 Material: Copper alloy
 Contact resistance $\leq 3m\Omega$
 Matching: DD,DDD,DM,DK,DQ inserts
 Surface: Gold/silver plated
 Terminal: Crimp connection


| Contacts, silver-plated | | Contacts, gold plated | | ϕ (A) | Wire gauge | | Recommended stripping length |
|-------------------------|-----------------|-----------------------|-----------------|------------|--------------------|-------|------------------------------|
| Male Contacts | Female Contacts | Male Contacts | Female Contacts | | (mm ²) | (AWG) | |
| 10A-SM-0.37 | 10A-SF-0.37 | 10A-GM-0.37 | 10A-GF-0.37 | 0.9 | 0.14-0.37 | 26-22 | 8mm |
| 10A-SM-0.5 | 10A-SF-0.5 | 10A-GM-0.5 | 10A-GF-0.5 | 1.1 | 0.50 | 20 | 8mm |
| 10A-SM-0.75 | 10A-SF-0.75 | 10A-GM-0.75 | 10A-GF-0.75 | 1.3 | 0.75 | 18 | 8mm |
| 10A-SM-1.0 | 10A-SF-1.0 | 10A-GM-1.0 | 10A-GF-1.0 | 1.45 | 1.00 | 18 | 8mm |
| 10A-SM-1.5 | 10A-SF-1.5 | 10A-GM-1.5 | 10A-GF-1.5 | 1.75 | 1.50 | 16 | 8mm |
| 10A-SM-2.5 | 10A-SF-2.5 | 10A-GM-2.5 | 10A-GF-2.5 | 2.25 | 2.50 | 14 | 6mm |

Tools

Crimping tool

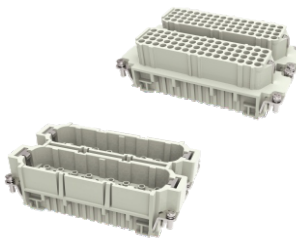
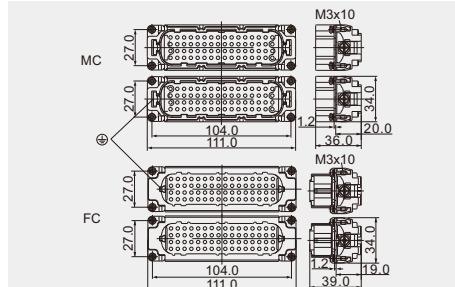
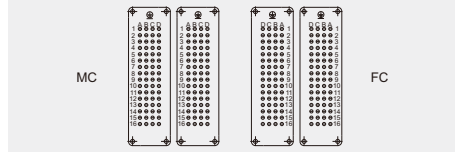
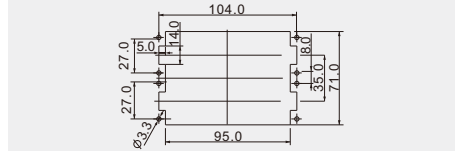
 Wire gauge : 0.5~4.0mm² (AWG 20-12)
 Type : TL1-4.0

Removal tool

 For: 10A 10A Crimp contacts
 Type : RT-10A

DD-128 Ultra-high Density Inserts 250V 10A 128+ \oplus

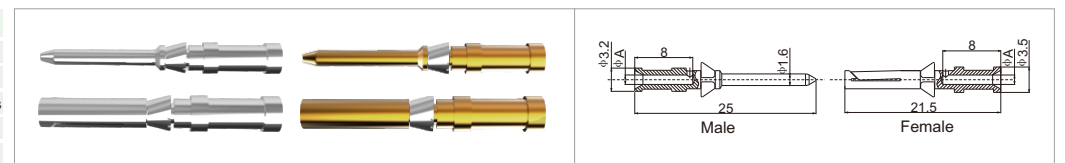
 Hoods/Housings: Matching **48B** Hoods Housing, detail on P140

| Inserts | Male | Female | Wire gauge | | Drawing |
|---|------------------|------------------|-----------------|-------|---|
| | | | mm ² | AWG | |
|  | DD-128-MC (2X64) | DD-128-FC (2X64) | 0.14-2.5 | 26-14 | Distance for contact max.24mm  Contacts arrangement view for termination side  Panel cut out for use without Hoods/housings  |

Accessories

When cold pressing connection is selected, additional stitches are needed, as shown in the attachment below:

(10A) Crimp contacts

 Material: Copper alloy
 Contact resistance $\leq 3m\Omega$
 Matching: DD,DDD,DM,DK,DQ inserts
 Surface: Gold/silver plated
 Terminal: Crimp connection


| Contacts, silver-plated | | Contacts, gold plated | | ϕ (A) | Wire gauge | | Recommended stripping length |
|-------------------------|-----------------|-----------------------|-----------------|------------|--------------------|-------|------------------------------|
| Male Contacts | Female Contacts | Male Contacts | Female Contacts | | (mm ²) | (AWG) | |
| 10A-SM-0.37 | 10A-SF-0.37 | 10A-GM-0.37 | 10A-GF-0.37 | 0.9 | 0.14-0.37 | 26-22 | 8mm |
| 10A-SM-0.5 | 10A-SF-0.5 | 10A-GM-0.5 | 10A-GF-0.5 | 1.1 | 0.50 | 20 | 8mm |
| 10A-SM-0.75 | 10A-SF-0.75 | 10A-GM-0.75 | 10A-GF-0.75 | 1.3 | 0.75 | 18 | 8mm |
| 10A-SM-1.0 | 10A-SF-1.0 | 10A-GM-1.0 | 10A-GF-1.0 | 1.45 | 1.00 | 18 | 8mm |
| 10A-SM-1.5 | 10A-SF-1.5 | 10A-GM-1.5 | 10A-GF-1.5 | 1.75 | 1.50 | 16 | 8mm |
| 10A-SM-2.5 | 10A-SF-2.5 | 10A-GM-2.5 | 10A-GF-2.5 | 2.25 | 2.50 | 14 | 6mm |

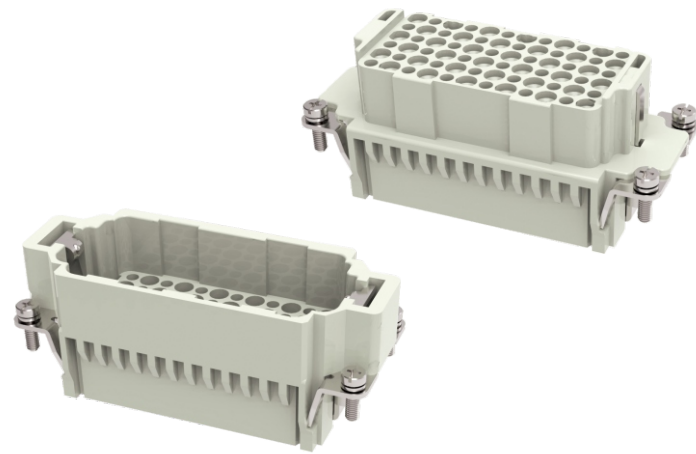
Tools

Crimping tool

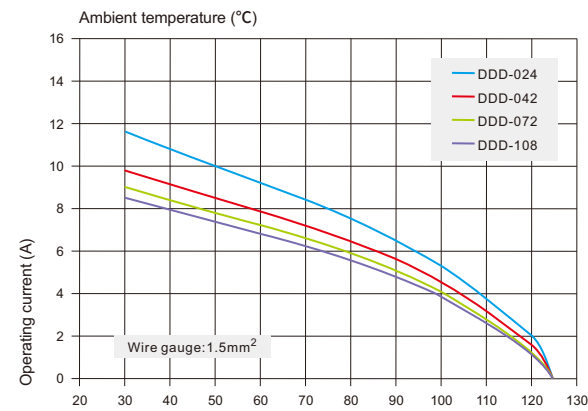
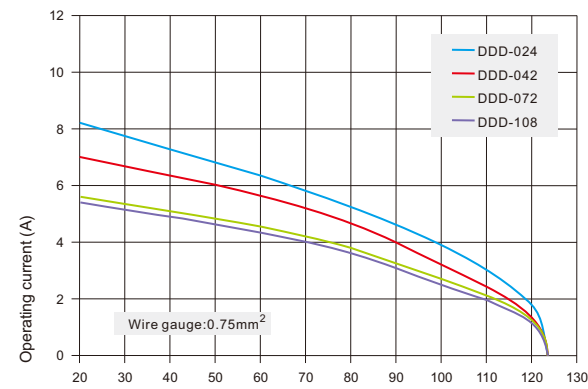
 Wire gauge : 0.5~4.0mm² (AWG 20-12)
 Type : TL1-4.0

Removal tool

 For: 10A 10A Crimp contacts
 Type : RT-10A

DDD - Series

Technical characteristics

| | |
|---------------------------------------|--|
| Specifications | DIN EN 60 664 DIN EN 61 984 |
| Inserts | |
| Electrical data acc.to EN 61 984 | |
| Number of contacts | 24,42,72,108,144(72X2),216(108X2)+PE |
| • Rated current | 10A |
| • Rated voltage | 250V |
| • Rated impulse voltage | 4KV |
| • Pollution degree | 3 |
| • Pollution degree 2 also | 10A 230/400V 4KV 2 |
| Rated voltage acc.to UL CSA | 600V |
| Insulation resistance | ≥ 10 ¹⁰ Ω |
| Material | Polycarbonate |
| Limiting temperatures | -40 °C ~+125 °C |
| Flammability acc.to UL94 | V0 |
| Mechanical working life-mating cycles | ≥ 500 |
| Contacts | |
| Material | Copper alloy |
| Surface | Hard-gold plated Hard-silver plated |
| Contact resistance | ≤ 3m Ω |
| Crimp terminal | |
| • Wire gauge | 0.14-2.5mm ² |
| • AWG | 26-14 |


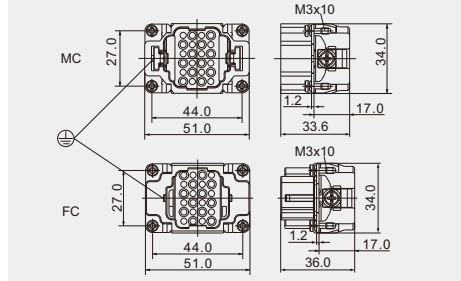
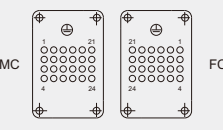
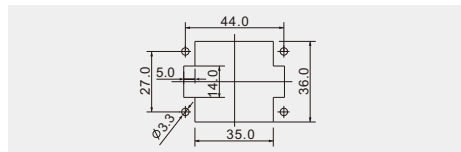

Current carrying capacity

The current carrying is limited by maximum temperature of materials for Inserts and contacts including terminals.

Measuring and testing techniques according to DIN EN 60512-5.

DDD-024 Ultra-high Density Inserts 250V 10A 24+⊕

Hoods/Housings: Matching 6B Hoods Housing, detail on P115-117

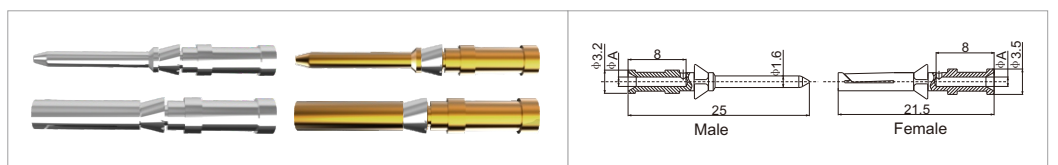
| Inserts | Male | Female | Wire gauge | | Drawing |
|---|------------|------------|-----------------|-------|---|
| | | | mm ² | AWG | |
|  DDD-024-MC | DDD-024-MC | DDD-024-FC | 0.14-2.5 | 26-14 | Distance for contact max.21mm  Contacts arrangement view for termination side  Panel cut out for use without Hoods/housings  |

Accessories

When cold pressing connection is selected, additional stitches are needed, as shown in the attachment below:

(10A) Crimp contacts

Material: Copper alloy
 Contact resistance ≤ 3mΩ
 Matching: DD,DDD,DM,DK,DQ Inserts
 Surface: Gold/silver plated
 Terminal: Crimp connection



| Contacts, silver-plated | | Contacts, gold plated | | (φ A) | Wire gauge | | Recommended stripping length |
|-------------------------|-----------------|-----------------------|-----------------|-------|--------------------|-------|------------------------------|
| Male Contacts | Female Contacts | Male Contacts | Female Contacts | | (mm ²) | (AWG) | |
| 10A-SM-0.37 | 10A-SF-0.37 | 10A-GM-0.37 | 10A-GF-0.37 | 0.9 | 0.14-0.37 | 26-22 | 8mm |
| 10A-SM-0.5 | 10A-SF-0.5 | 10A-GM-0.5 | 10A-GF-0.5 | 1.1 | 0.50 | 20 | 8mm |
| 10A-SM-0.75 | 10A-SF-0.75 | 10A-GM-0.75 | 10A-GF-0.75 | 1.3 | 0.75 | 18 | 8mm |
| 10A-SM-1.0 | 10A-SF-1.0 | 10A-GM-1.0 | 10A-GF-1.0 | 1.45 | 1.00 | 18 | 8mm |
| 10A-SM-1.5 | 10A-SF-1.5 | 10A-GM-1.5 | 10A-GF-1.5 | 1.75 | 1.50 | 16 | 8mm |
| 10A-SM-2.5 | 10A-SF-2.5 | 10A-GM-2.5 | 10A-GF-2.5 | 2.25 | 2.50 | 14 | 6mm |

Tools

Crimping tool


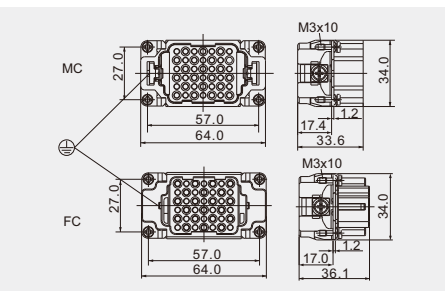
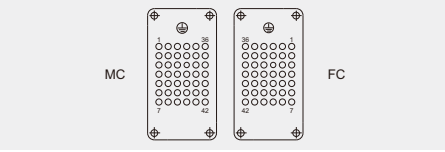
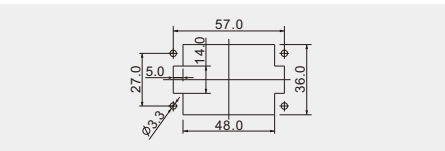
Wire gauge : 0.5~4.0mm² (AWG 20-12)
 Type : TL1-4.0


Removal tool

For: 10A 10A Crimp contacts
 Type : RT-10A

DDD-042 Ultra-high Density Inserts 250V 10A 42+ ⊕

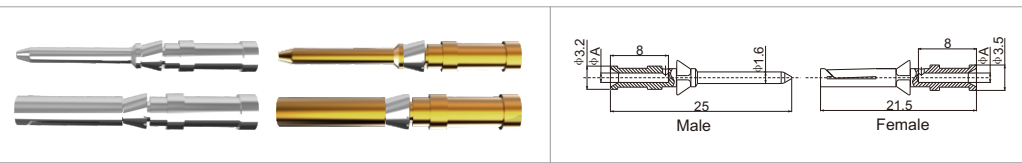
Hoods/Housings: Matching 10B Hoods Housing, detail on P118-123

| Inserts | Male | Female | Wire gauge | | Drawing |
|---|------|--------|-----------------|-------|--|
| | | | mm ² | AWG | |
|  DDD-042-MC DDD-042-FC | | | 0.14-2.5 | 26-14 | Distance for contact max.21mm  Contacts arrangement view for termination side  Panel cut out for use without Hoods/housings  |

Accessories

When cold pressing connection is selected, additional stitches are needed, as shown in the attachment below:

(10A) Crimp contacts

 Material: Copper alloy
 Contact resistance ≤ 3mΩ
 Matching: DD,DDD,DM,DK,DQ inserts
 Surface: Gold/silver plated
 Terminal: Crimp connection


| Contacts, silver-plated | | Contacts, gold plated | | φ(A) | Wire gauge | | Recommended stripping length |
|-------------------------|-----------------|-----------------------|-----------------|------|--------------------|-------|------------------------------|
| Male Contacts | Female Contacts | Male Contacts | Female Contacts | | (mm ²) | (AWG) | |
| 10A-SM-0.37 | 10A-SF-0.37 | 10A-GM-0.37 | 10A-GF-0.37 | 0.9 | 0.14-0.37 | 26-22 | 8mm |
| 10A-SM-0.5 | 10A-SF-0.5 | 10A-GM-0.5 | 10A-GF-0.5 | 1.1 | 0.50 | 20 | 8mm |
| 10A-SM-0.75 | 10A-SF-0.75 | 10A-GM-0.75 | 10A-GF-0.75 | 1.3 | 0.75 | 18 | 8mm |
| 10A-SM-1.0 | 10A-SF-1.0 | 10A-GM-1.0 | 10A-GF-1.0 | 1.45 | 1.00 | 18 | 8mm |
| 10A-SM-1.5 | 10A-SF-1.5 | 10A-GM-1.5 | 10A-GF-1.5 | 1.75 | 1.50 | 16 | 8mm |
| 10A-SM-2.5 | 10A-SF-2.5 | 10A-GM-2.5 | 10A-GF-2.5 | 2.25 | 2.50 | 14 | 6mm |

Tools

Crimping tool


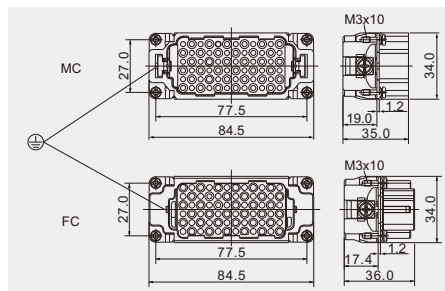
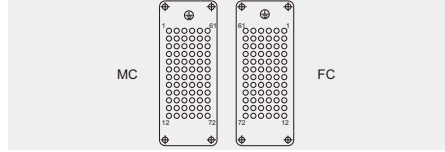
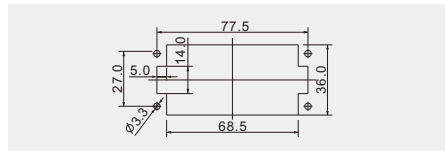
 Wire gauge : 0.5~4.0mm² (AWG 20-12)
 Type : TL1-4.0

Removal tool

 For: 10A 10A Crimp contacts
 Type : RT-10A

DDD-072 Ultra-high Density Inserts 250V 10A 72+ ⊕

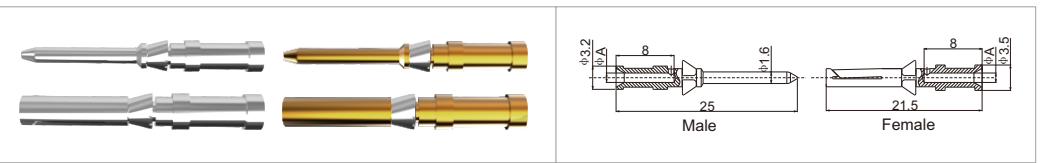
Hoods/Housings: Matching 16B Hoods Housing, detail on P124-130

| Inserts | Male | Female | Wire gauge | | Drawing |
|---|------|--------|-----------------|-------|---|
| | | | mm ² | AWG | |
|  DDD-072-MC DDD-072-FC | | | 0.14-2.5 | 26-14 | Distance for contact max.21mm  contacts arrangement view for termination side  Panel cut out for use without Hoods/housings  |

Accessories

When cold pressing connection is selected, additional stitches are needed, as shown in the attachment below:

(10A) Crimp contacts

 Material: Copper alloy
 Contact resistance ≤ 3mΩ
 Matching: DD,DDD,DM,DK,DQ inserts
 Surface: Gold/silver plated
 Terminal: Crimp connection


| Contacts, silver-plated | | Contacts, gold plated | | φ(A) | Wire gauge | | Recommended stripping length |
|-------------------------|-----------------|-----------------------|-----------------|------|--------------------|-------|------------------------------|
| Male Contacts | Female Contacts | Male Contacts | Female Contacts | | (mm ²) | (AWG) | |
| 10A-SM-0.37 | 10A-SF-0.37 | 10A-GM-0.37 | 10A-GF-0.37 | 0.9 | 0.14-0.37 | 26-22 | 8mm |
| 10A-SM-0.5 | 10A-SF-0.5 | 10A-GM-0.5 | 10A-GF-0.5 | 1.1 | 0.50 | 20 | 8mm |
| 10A-SM-0.75 | 10A-SF-0.75 | 10A-GM-0.75 | 10A-GF-0.75 | 1.3 | 0.75 | 18 | 8mm |
| 10A-SM-1.0 | 10A-SF-1.0 | 10A-GM-1.0 | 10A-GF-1.0 | 1.45 | 1.00 | 18 | 8mm |
| 10A-SM-1.5 | 10A-SF-1.5 | 10A-GM-1.5 | 10A-GF-1.5 | 1.75 | 1.50 | 16 | 8mm |
| 10A-SM-2.5 | 10A-SF-2.5 | 10A-GM-2.5 | 10A-GF-2.5 | 2.25 | 2.50 | 14 | 6mm |

Tools

Crimping tool

 Wire gauge : 0.5~4.0mm² (AWG 20-12)
 Type : TL1-4.0

Removal tool

 For: 10A 10A Crimp contacts
 Type : RT-10A

DDD-216 Ultra-high Density Inserts 250V 10A 216+ ⊕

Hoods/Housings: Matching 48B Hoods Housing, detail on P140

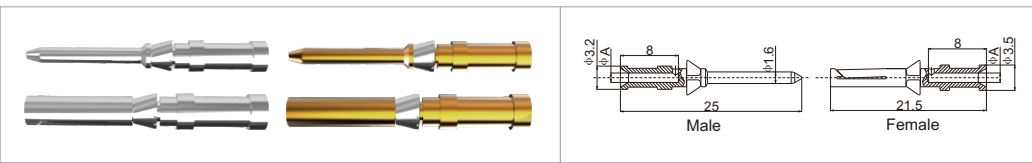
| Inserts | Male | Female | Wire gauge | | Drawing |
|-----------------------|-----------------------------------|-----------------------------------|-----------------|-------|---|
| | | | mm ² | AWG | |
| <p>Crimp terminal</p> | DDD-108-MC DDD-108-MC(109-216) | DDD-108-FC DDD-108-FC(109-216) | 0.14-2.5 | 26-14 | Distance for contact max.21mm Contacts arrangement view for termination side Panel cut out for use without Hoods/housings |

Accessories

When cold pressing connection is selected, additional stitches are needed, as shown in the attachment below:

(10A) Crimp contacts

Material: Copper alloy
 Contact resistance ≤ 3mΩ
 Matching: DD, DDD, DM, DK, DQ inserts
 Surface: Gold/silver plated
 Terminal: Crimp connection



| Contacts, silver-plated | | Contacts, gold plated | | φ(A) | Wire gauge | | Recommended stripping length |
|-------------------------|-----------------|-----------------------|-----------------|------|--------------------|-------|------------------------------|
| Male Contacts | Female Contacts | Male Contacts | Female Contacts | | (mm ²) | (AWG) | |
| 10A-SM-0.37 | 10A-SF-0.37 | 10A-GM-0.37 | 10A-GF-0.37 | 0.9 | 0.14-0.37 | 26-22 | 8mm |
| 10A-SM-0.5 | 10A-SF-0.5 | 10A-GM-0.5 | 10A-GF-0.5 | 1.1 | 0.50 | 20 | 8mm |
| 10A-SM-0.75 | 10A-SF-0.75 | 10A-GM-0.75 | 10A-GF-0.75 | 1.3 | 0.75 | 18 | 8mm |
| 10A-SM-1.0 | 10A-SF-1.0 | 10A-GM-1.0 | 10A-GF-1.0 | 1.45 | 1.00 | 18 | 8mm |
| 10A-SM-1.5 | 10A-SF-1.5 | 10A-GM-1.5 | 10A-GF-1.5 | 1.75 | 1.50 | 16 | 8mm |
| 10A-SM-2.5 | 10A-SF-2.5 | 10A-GM-2.5 | 10A-GF-2.5 | 2.25 | 2.50 | 14 | 6mm |

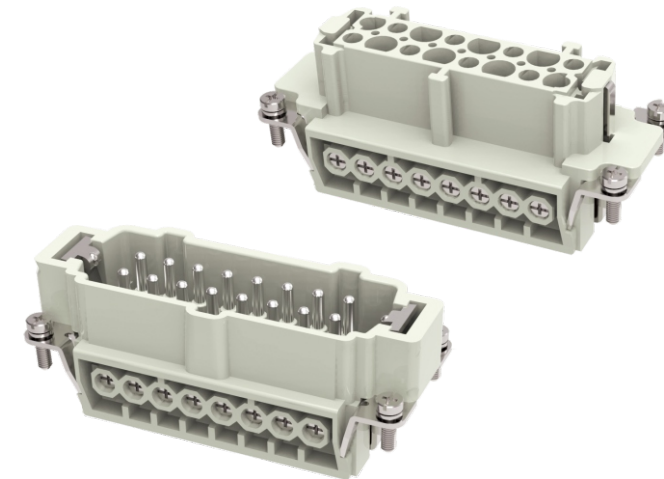
Tools

Crimping tool

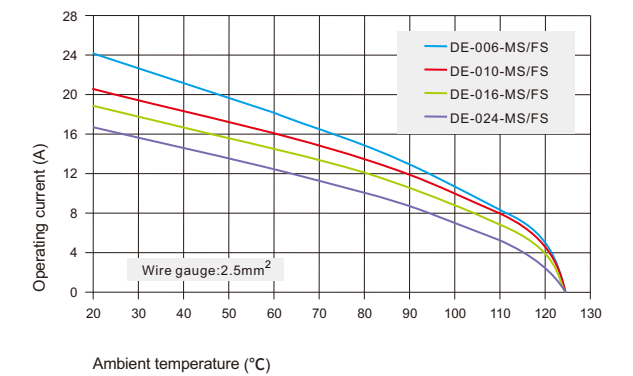
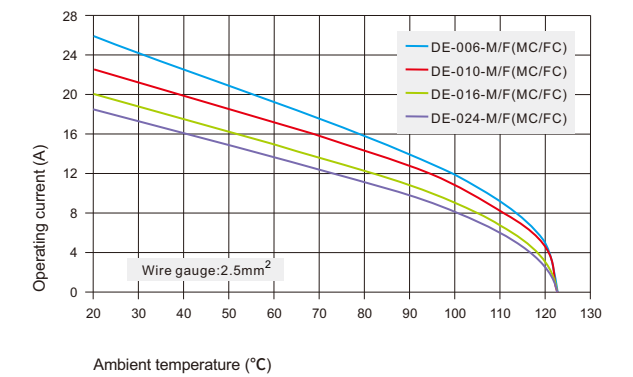
Wire gauge : 0.5~4.0mm² (AWG 20-12)
 Type : TL1-4.0


Removal tool

For: 10A 10A Crimp contacts
 Type : RT-10A

DE - Series

Technical characteristics

| | |
|---------------------------------------|--|
| Specifications | DIN EN 60 664 DIN EN 61 984 |
| Inserts | |
| Electrical data acc.to EN 61 984 | |
| Number of contacts | 6,10,16,24,32(2X16),48(2X24)+PE |
| • Rated current | 16A |
| • Rated voltage | 500V |
| • Rated impulse voltage | 6KV |
| • Pollution degree | 3 |
| • Pollution degree 2 also | 16A 400/690V 6KV 2 |
| Rated voltage acc.to UL CSA | 600V |
| Insulation resistance | ≥ 10 ¹⁰ Ω |
| Material | Polycarbonate |
| Limiting temperatures | -40 °C ~+125 °C |
| Flammability acc.to UL94 | V0 |
| Mechanical working life-mating cycles | ≥ 500 |
| Contacts | |
| Material | Copper alloy |
| Surface | Hard-gold plated Hard-silver plated |
| Contact resistance | ≤ 1m Ω |
| Screw terminal | |
| • Wire gauge | 0.14-2.5mm ² |
| • AWG | 26-14 |
| • Tightening torque | 0.5Nm |
| • Stripping length | 7mm |
| Crimp terminal | |
| • Wire gauge | 0.14-4mm ² |
| • AWG | 26-12 |
| • Stripping length | 7.5mm |
| Cage-clamp | |
| • Wire gauge | 0.14-2.5mm ² |
| • AWG | 26-14 |
| • Stripping length | 7-9mm |


Current carrying capacity

The current carrying is limited by maximum temperature of materials for Inserts and contacts including terminals.

Measuring and testing techniques according to DIN EN 60512-5.

DE-006 Standard Inserts 500V 16A 6+ ⊕

Hoods/Housings: Matching 6B Hoods Housing, detail on P115-117

| Inserts | Male | Female | Wire gauge | | Drawing |
|--------------------|-----------|-----------|-----------------|-------|-----------------------------------|
| | | | mm ² | AWG | |
| Screw terminal | DE-006-M | DE-006-F | 0.75-2.5 | 18-14 | Distance for contact max.21mm |
| Crimp terminal | DE-006-MC | DE-006-FC | 0.14-4.0 | 26-12 | |
| Cage-clamp | DE-006-MS | DE-006-FS | 0.14-2.5 | 26-14 | |
| Push-in | DE-006-MP | DE-006-FP | 0.5-2.5 | 20-14 | |

Accessories

When cold pressing connection is selected, additional stitches are needed, as shown in the attachment below:

(16A) Crimp contacts

 Material: Copper alloy
 Contact resistance ≤ 1mΩ
 Matching: DA, DE, DEE, DM, DK inserts
 Surface: Gold/silver plated
 Terminal: Crimp connection


| Contacts, silver-plated | | Contacts, gold plated | | φ(A) | Wire gauge | | Recommended stripping length |
|-------------------------|-----------------|-----------------------|-----------------|------|--------------------|-------|------------------------------|
| Male Contacts | Female Contacts | Male Contacts | Female Contacts | | (mm ²) | (AWG) | |
| 16A-SM-0.37 | 16A-SF-0.37 | 16A-GM-0.37 | 16A-GF-0.37 | 0.9 | 0.14-0.37 | 26-22 | 7.5mm |
| 16A-SM-0.5 | 16A-SF-0.5 | 16A-GM-0.5 | 16A-GF-0.5 | 1.1 | 0.50 | 20 | 7.5mm |
| 16A-SM-0.75 | 16A-SF-0.75 | 16A-GM-0.75 | 16A-GF-0.75 | 1.3 | 0.75 | 18 | 7.5mm |
| 16A-SM-1.0 | 16A-SF-1.0 | 16A-GM-1.0 | 16A-GF-1.0 | 1.45 | 1.00 | 18 | 7.5mm |
| 16A-SM-1.5 | 16A-SF-1.5 | 16A-GM-1.5 | 16A-GF-1.5 | 1.75 | 1.50 | 16 | 7.5mm |
| 16A-SM-2.5 | 16A-SF-2.5 | 16A-GM-2.5 | 16A-GF-2.5 | 2.25 | 2.50 | 14 | 7.5mm |
| 16A-SM-4.0 | 16A-SF-4.0 | 16A-GM-4.0 | 16A-GF-4.0 | 2.85 | 4.00 | 12 | 7.5mm |

Tools

Crimping tool

 Wire gauge : 0.5~4.0mm² (AWG 20-12)
 Type : TL1-4.0

Removal tool

 For: 16A 16A Crimp contacts
 Type : RT-16A

DE-010 Standard Inserts 500V 16A 10+ ⊕

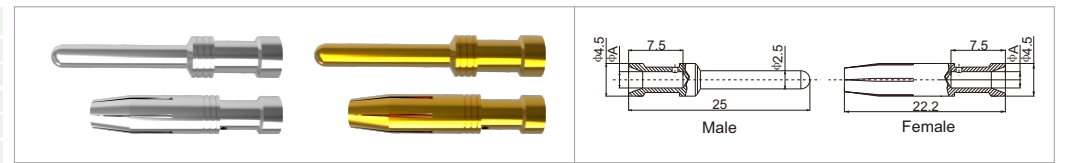
Hoods/Housings: Matching 10B Hoods Housing, detail on P118-123

| Inserts | Male | Female | Wire gauge | | Drawing |
|--------------------|-----------|-----------|-----------------|-------|-----------------------------------|
| | | | mm ² | AWG | |
| Screw terminal | DE-010-M | DE-010-F | 0.75-2.5 | 18-14 | Distance for contact max.21mm |
| Crimp terminal | DE-010-MC | DE-010-FC | 0.14-4.0 | 26-12 | |
| Cage-clamp | DE-010-MS | DE-010-FS | 0.14-2.5 | 26-14 | |
| Push-in | DE-010-MP | DE-010-FP | 0.5-2.5 | 20-14 | |

Accessories

When cold pressing connection is selected, additional stitches are needed, as shown in the attachment below:

(16A) Crimp contacts

 Material: Copper alloy
 Contact resistance ≤ 1mΩ
 Matching: DA, DE, DEE, DM, DK inserts
 Surface: Gold/silver plated
 Terminal: Crimp connection


| Contacts, silver-plated | | Contacts, gold plated | | φ(A) | Wire gauge | | Recommended stripping length |
|-------------------------|-----------------|-----------------------|-----------------|------|--------------------|-------|------------------------------|
| Male Contacts | Female Contacts | Male Contacts | Female Contacts | | (mm ²) | (AWG) | |
| 16A-SM-0.37 | 16A-SF-0.37 | 16A-GM-0.37 | 16A-GF-0.37 | 0.9 | 0.14-0.37 | 26-22 | 7.5mm |
| 16A-SM-0.5 | 16A-SF-0.5 | 16A-GM-0.5 | 16A-GF-0.5 | 1.1 | 0.50 | 20 | 7.5mm |
| 16A-SM-0.75 | 16A-SF-0.75 | 16A-GM-0.75 | 16A-GF-0.75 | 1.3 | 0.75 | 18 | 7.5mm |
| 16A-SM-1.0 | 16A-SF-1.0 | 16A-GM-1.0 | 16A-GF-1.0 | 1.45 | 1.00 | 18 | 7.5mm |
| 16A-SM-1.5 | 16A-SF-1.5 | 16A-GM-1.5 | 16A-GF-1.5 | 1.75 | 1.50 | 16 | 7.5mm |
| 16A-SM-2.5 | 16A-SF-2.5 | 16A-GM-2.5 | 16A-GF-2.5 | 2.25 | 2.50 | 14 | 7.5mm |
| 16A-SM-4.0 | 16A-SF-4.0 | 16A-GM-4.0 | 16A-GF-4.0 | 2.85 | 4.00 | 12 | 7.5mm |

Tools

Crimping tool

 Wire gauge : 0.5~4.0mm² (AWG 20-12)
 Type : TL1-4.0

Removal tool

 For: 16A 16A Crimp contacts
 Type : RT-16A

DE-016 Standard Inserts 500V 16A 16+ ⊕

Hoods/Housings: Matching 16B Hoods Housing, detail on P124-130

| Inserts | Male | Female | Wire gauge | | Drawing |
|---------|-----------|-----------|-----------------|-------|--|
| | | | mm ² | AWG | |
| | DE-016-M | DE-016-F | 0.75-2.5 | 18-14 | <p>Distance for contact max.21mm</p> <p>Contacts arrangement view for termination side</p> <p>Panel cut out for use without Hoods/housings</p> |
| | DE-016-MC | DE-016-FC | 0.14-4.0 | 26-12 | |
| | DE-016-MS | DE-016-FS | 0.14-2.5 | 26-14 | |
| | DE-016-MP | DE-016-FP | 0.5-2.5 | 20-14 | |

Accessories

When cold pressing connection is selected, additional stitches are needed, as shown in the attachment below:

(16A) Crimp contacts

Material: Copper alloy
 Contact resistance ≤ 1mΩ
 Matching: DA, DE, DEE, DM, DK inserts
 Surface: Gold/silver plated
 Terminal: Crimp connection



| Contacts, silver-plated | | Contacts, gold plated | | φ(A) | Wire gauge | | Recommended stripping length |
|-------------------------|-----------------|-----------------------|-----------------|------|--------------------|-------|------------------------------|
| Male Contacts | Female Contacts | Male Contacts | Female Contacts | | (mm ²) | (AWG) | |
| 16A-SM-0.37 | 16A-SF-0.37 | 16A-GM-0.37 | 16A-GF-0.37 | 0.9 | 0.14-0.37 | 26-22 | 7.5mm |
| 16A-SM-0.5 | 16A-SF-0.5 | 16A-GM-0.5 | 16A-GF-0.5 | 1.1 | 0.50 | 20 | 7.5mm |
| 16A-SM-0.75 | 16A-SF-0.75 | 16A-GM-0.75 | 16A-GF-0.75 | 1.3 | 0.75 | 18 | 7.5mm |
| 16A-SM-1.0 | 16A-SF-1.0 | 16A-GM-1.0 | 16A-GF-1.0 | 1.45 | 1.00 | 18 | 7.5mm |
| 16A-SM-1.5 | 16A-SF-1.5 | 16A-GM-1.5 | 16A-GF-1.5 | 1.75 | 1.50 | 16 | 7.5mm |
| 16A-SM-2.5 | 16A-SF-2.5 | 16A-GM-2.5 | 16A-GF-2.5 | 2.25 | 2.50 | 14 | 7.5mm |
| 16A-SM-4.0 | 16A-SF-4.0 | 16A-GM-4.0 | 16A-GF-4.0 | 2.85 | 4.00 | 12 | 7.5mm |

Tools



Crimping tool

Wire gauge : 0.5~4.0mm² (AWG 20-12)
 Type : TL1-4.0



Removal tool

For: 16A 16A Crimp contacts
 Type : RT-16A

DE-024 Standard Inserts 500V 16A 24+ ⊕

Hoods/Housings: Matching 24B Hoods Housing, detail on P131-137

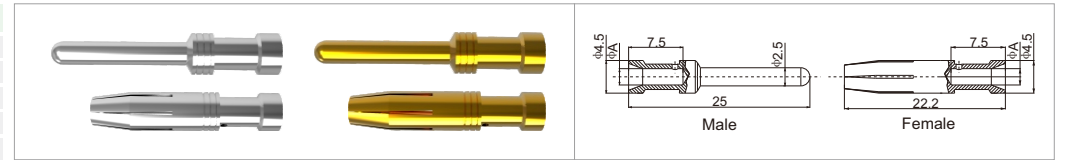
| Inserts | Male | Female | Wire gauge | | Drawing |
|---------|-----------|-----------|-----------------|-------|--|
| | | | mm ² | AWG | |
| | DE-024-M | DE-024-F | 0.75-2.5 | 18-14 | <p>Distance for contact max.21mm</p> <p>Contacts arrangement view for termination side</p> <p>Panel cut out for use without Hoods/housings</p> |
| | DE-024-MC | DE-024-FC | 0.14-4.0 | 26-12 | |
| | DE-024-MS | DE-024-FS | 0.14-2.5 | 26-14 | |
| | DE-024-MP | DE-024-FP | 0.5-2.5 | 20-14 | |

Accessories

When cold pressing connection is selected, additional stitches are needed, as shown in the attachment below:

(16A) Crimp contacts

Material: Copper alloy
 Contact resistance ≤ 1mΩ
 Matching: DA, DE, DEE, DM, DK inserts
 Surface: Gold/silver plated
 Terminal: Crimp connection



| Contacts, silver-plated | | Contacts, gold plated | | φ(A) | Wire gauge | | Recommended stripping length |
|-------------------------|-----------------|-----------------------|-----------------|------|--------------------|-------|------------------------------|
| Male Contacts | Female Contacts | Male Contacts | Female Contacts | | (mm ²) | (AWG) | |
| 16A-SM-0.37 | 16A-SF-0.37 | 16A-GM-0.37 | 16A-GF-0.37 | 0.9 | 0.14-0.37 | 26-22 | 7.5mm |
| 16A-SM-0.5 | 16A-SF-0.5 | 16A-GM-0.5 | 16A-GF-0.5 | 1.1 | 0.50 | 20 | 7.5mm |
| 16A-SM-0.75 | 16A-SF-0.75 | 16A-GM-0.75 | 16A-GF-0.75 | 1.3 | 0.75 | 18 | 7.5mm |
| 16A-SM-1.0 | 16A-SF-1.0 | 16A-GM-1.0 | 16A-GF-1.0 | 1.45 | 1.00 | 18 | 7.5mm |
| 16A-SM-1.5 | 16A-SF-1.5 | 16A-GM-1.5 | 16A-GF-1.5 | 1.75 | 1.50 | 16 | 7.5mm |
| 16A-SM-2.5 | 16A-SF-2.5 | 16A-GM-2.5 | 16A-GF-2.5 | 2.25 | 2.50 | 14 | 7.5mm |
| 16A-SM-4.0 | 16A-SF-4.0 | 16A-GM-4.0 | 16A-GF-4.0 | 2.85 | 4.00 | 12 | 7.5mm |

Tools



Crimping tool

Wire gauge : 0.5~4.0mm² (AWG 20-12)
 Type : TL1-4.0



Removal tool

For: 16A 16A Crimp contacts
 Type : RT-16A

DE-032 Standard Inserts 500V 16A 32+ ⊕

Hoods/Housings: Matching 32B Hoods Housing, detail on P138-139

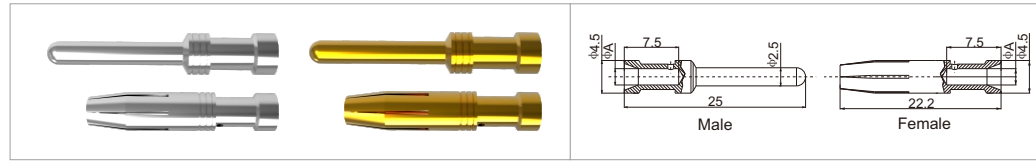
| Inserts | Male | Female | Wire gauge | | Drawing |
|-----------------------|-------------------------------|-------------------------------|-----------------|-------|--|
| | | | mm ² | AWG | |
| <p>Screw terminal</p> | DE-016-M DE-016-M(17-32) | DE-016-F DE-016-F(17-32) | 1.0-2.5 | 18-14 | <p>Distance for contact max.21mm</p> <p>M/MC/MS/MP</p> <p>F/FC/FS/FP</p> <p>Contacts arrangement view for termination side</p> <p>M/MC/MS/MP</p> <p>F/FC/FS/FP</p> <p>Panel cut out for use without Hoods/housings</p> |
| <p>Crimp terminal</p> | DE-016-MC DE-016-MC(17-32) | DE-016-FC DE-016-FC(17-32) | 0.14-4.0 | 26-12 | |
| <p>Cage-clamp</p> | DE-016-MS DE-016-MS(17-32) | DE-016-FS DE-016-FS(17-32) | 0.14-2.5 | 26-14 | |
| <p>Push-in</p> | DE-016-MP DE-016-MP(17-32) | DE-016-FP DE-016-FP(17-32) | 0.5-2.5 | 20-14 | |

Accessories

When cold pressing connection is selected, additional stitches are needed, as shown in the attachment below:

(16A) Crimp contacts

Material: Copper alloy
 Contact resistance ≤ 1mΩ
 Matching: DA, DE, DEE, DM, DK inserts
 Surface: Gold/silver plated
 Terminal: Crimp connection



| Contacts, silver-plated | | Contacts, gold plated | | φ(A) | Wire gauge | | Recommended stripping length |
|-------------------------|-----------------|-----------------------|-----------------|------|--------------------|-------|------------------------------|
| Male Contacts | Female Contacts | Male Contacts | Female Contacts | | (mm ²) | (AWG) | |
| 16A-SM-0.37 | 16A-SF-0.37 | 16A-GM-0.37 | 16A-GF-0.37 | 0.9 | 0.14-0.37 | 26-22 | 7.5mm |
| 16A-SM-0.5 | 16A-SF-0.5 | 16A-GM-0.5 | 16A-GF-0.5 | 1.1 | 0.50 | 20 | 7.5mm |
| 16A-SM-0.75 | 16A-SF-0.75 | 16A-GM-0.75 | 16A-GF-0.75 | 1.3 | 0.75 | 18 | 7.5mm |
| 16A-SM-1.0 | 16A-SF-1.0 | 16A-GM-1.0 | 16A-GF-1.0 | 1.45 | 1.00 | 18 | 7.5mm |
| 16A-SM-1.5 | 16A-SF-1.5 | 16A-GM-1.5 | 16A-GF-1.5 | 1.75 | 1.50 | 16 | 7.5mm |
| 16A-SM-2.5 | 16A-SF-2.5 | 16A-GM-2.5 | 16A-GF-2.5 | 2.25 | 2.50 | 14 | 7.5mm |
| 16A-SM-4.0 | 16A-SF-4.0 | 16A-GM-4.0 | 16A-GF-4.0 | 2.85 | 4.00 | 12 | 7.5mm |

Tools



Crimping tool

Wire gauge : 0.5~4.0mm² (AWG 20-12)
 Type : TL1-4.0



Removal tool

For: 16A 16A Crimp contacts
 Type : RT-16A

DE-048 Standard Inserts 500V 16A 48+ ⊕

Hoods/Housings: Matching 48B Hoods Housing, detail on P140

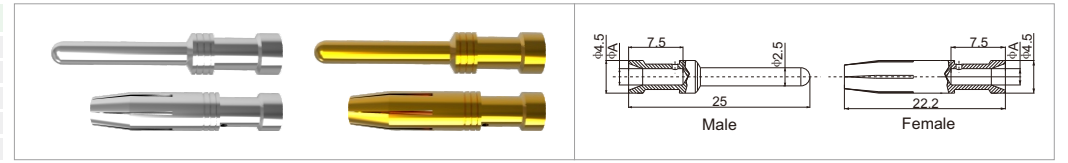
| Inserts | Male | Female | Wire gauge | | Drawing |
|-----------------------|-------------------------------|-------------------------------|-----------------|-------|--|
| | | | mm ² | AWG | |
| <p>Screw terminal</p> | DE-024-M DE-024-M(25-48) | DE-024-F DE-024-F(25-48) | 0.75-2.5 | 18-14 | <p>Distance for contact max.21mm</p> <p>M/MC/MS/MP</p> <p>F/FC/FS/FP</p> <p>Contacts arrangement view for termination side</p> <p>M/MC/MS/MP</p> <p>F/FC/FS/FP</p> <p>Panel cut out for use without Hoods/housings</p> |
| <p>Crimp terminal</p> | DE-024-MC DE-024-MC(25-48) | DE-024-FC DE-024-FC(25-48) | 0.14-4.0 | 26-12 | |
| <p>Cage-clamp</p> | DE-024-MS DE-024-MS(25-48) | DE-024-FS DE-024-FS(25-48) | 0.14-2.5 | 26-14 | |
| <p>Push-in</p> | DE-024-MP DE-024-MP(25-48) | DE-024-FP DE-024-FP(25-48) | 0.5-2.5 | 20-14 | |

Accessories

When cold pressing connection is selected, additional stitches are needed, as shown in the attachment below:

(16A) Crimp contacts

Material: Copper alloy
 Contact resistance ≤ 1mΩ
 Matching: DA, DE, DEE, DM, DK inserts
 Surface: Gold/silver plated
 Terminal: Crimp connection



| Contacts, silver-plated | | Contacts, gold plated | | φ(A) | Wire gauge | | Recommended stripping length |
|-------------------------|-----------------|-----------------------|-----------------|------|--------------------|-------|------------------------------|
| Male Contacts | Female Contacts | Male Contacts | Female Contacts | | (mm ²) | (AWG) | |
| 16A-SM-0.37 | 16A-SF-0.37 | 16A-GM-0.37 | 16A-GF-0.37 | 0.9 | 0.14-0.37 | 26-22 | 7.5mm |
| 16A-SM-0.5 | 16A-SF-0.5 | 16A-GM-0.5 | 16A-GF-0.5 | 1.1 | 0.50 | 20 | 7.5mm |
| 16A-SM-0.75 | 16A-SF-0.75 | 16A-GM-0.75 | 16A-GF-0.75 | 1.3 | 0.75 | 18 | 7.5mm |
| 16A-SM-1.0 | 16A-SF-1.0 | 16A-GM-1.0 | 16A-GF-1.0 | 1.45 | 1.00 | 18 | 7.5mm |
| 16A-SM-1.5 | 16A-SF-1.5 | 16A-GM-1.5 | 16A-GF-1.5 | 1.75 | 1.50 | 16 | 7.5mm |
| 16A-SM-2.5 | 16A-SF-2.5 | 16A-GM-2.5 | 16A-GF-2.5 | 2.25 | 2.50 | 14 | 7.5mm |
| 16A-SM-4.0 | 16A-SF-4.0 | 16A-GM-4.0 | 16A-GF-4.0 | 2.85 | 4.00 | 12 | 7.5mm |

Tools



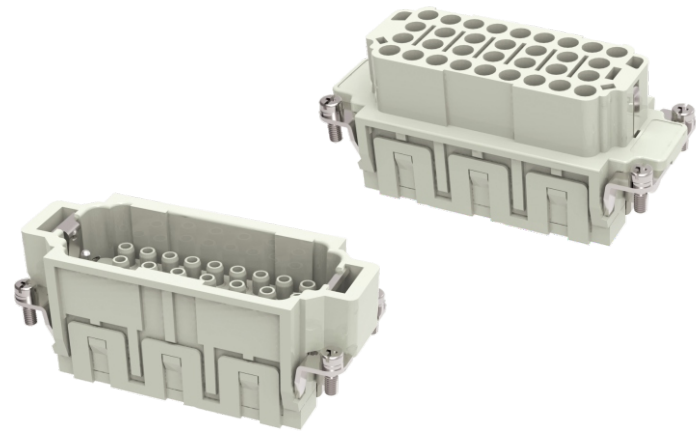
Crimping tool

Wire gauge : 0.5~4.0mm² (AWG 20-12)
 Type : TL1-4.0

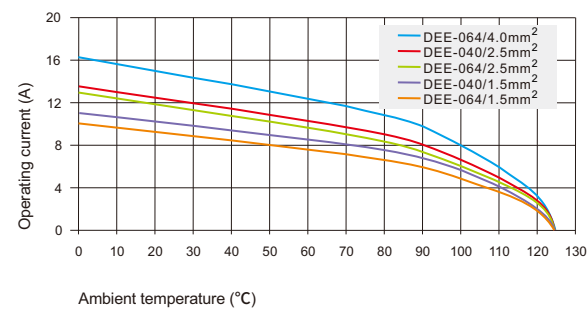
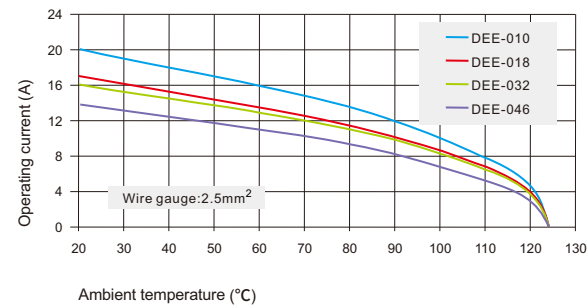
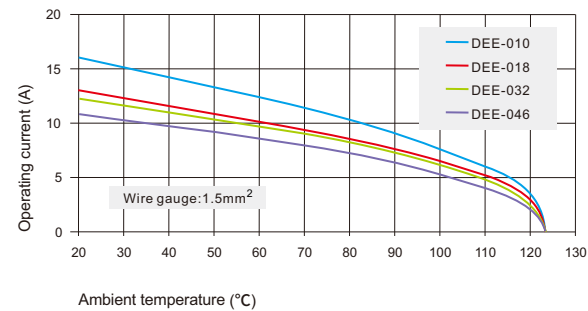


Removal tool

For: 16A 16A Crimp contacts
 Type : RT-16A

DEE - Series

Technical characteristics

| | |
|---------------------------------------|--|
| Specifications | DIN EN 60 664 DIN EN 61 984 |
| Inserts | |
| Electrical data acc.to EN 61 984 | |
| Number of contacts | 10, 18, 32, 46, 64(2X32), 92(2X46)+PE |
| • Rated current | 16A |
| • Rated voltage | 500V |
| • Rated impulse voltage | 6KV |
| • Pollution degree | 3 |
| • Pollution degree 2 also | 16A 830V 8KV 2 |
| Rated voltage acc.to UL CSA | 600V |
| Insulation resistance | ≥ 10 ¹⁰ Ω |
| Material | Polycarbonate |
| Limiting temperatures | -40 °C ~+125 °C |
| Flammability acc.to UL94 | V0 |
| Mechanical working life-mating cycles | ≥ 500 |
| Contacts | |
| Material | Copper alloy |
| Surface | Hard-gold plated Hard-silver plated |
| Contact resistance | ≤ 1m Ω |
| Crimp terminal | |
| • Wire gauge | 0.14-4mm ² |
| • AWG | 26-12 |
| • Stripping length | 7.5mm |


Current carrying capacity

The current carrying is limited by maximum temperature of materials for Inserts and contacts including terminals.

Measuring and testing techniques according to DIN EN 60512-5.

High-density Inserts 500V 16A 10+ ⊕

Hoods/Housings: Matching 6B Hoods Housing, detail on P115-117

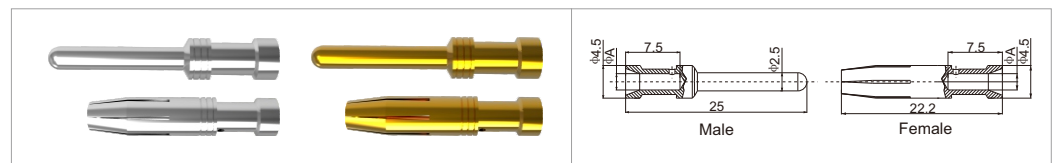
| Inserts | Male | Female | Wire gauge | | Drawing |
|--------------------|------------|------------|-----------------|-------|---|
| | | | mm ² | AWG | |
| Crimp terminal | DEE-010-MC | DEE-010-FC | 0.14-4.0 | 26-12 | Distance for contact max.21mm Contacts arrangement view for termination side Panel cut out for use without Hoods/housings |

Accessories

When cold pressing connection is selected, additional stitches are needed, as shown in the attachment below:

(16A) Crimp contacts

Material: Copper alloy
 Contact resistance ≤ 1mΩ
 Matching: DA, DE, DEE, DM, DK inserts
 Surface: Gold/silver plated
 Terminal: Crimp connection



| Contacts, silver-plated | | Contacts, gold plated | | φ (A) | Wire gauge | | Recommended stripping length |
|-------------------------|-----------------|-----------------------|-----------------|-------|--------------------|-------|------------------------------|
| Male Contacts | Female Contacts | Male Contacts | Female Contacts | | (mm ²) | (AWG) | |
| 16A-SM-0.37 | 16A-SF-0.37 | 16A-GM-0.37 | 16A-GF-0.37 | 0.9 | 0.14-0.37 | 26-22 | 7.5mm |
| 16A-SM-0.5 | 16A-SF-0.5 | 16A-GM-0.5 | 16A-GF-0.5 | 1.1 | 0.50 | 20 | 7.5mm |
| 16A-SM-0.75 | 16A-SF-0.75 | 16A-GM-0.75 | 16A-GF-0.75 | 1.3 | 0.75 | 18 | 7.5mm |
| 16A-SM-1.0 | 16A-SF-1.0 | 16A-GM-1.0 | 16A-GF-1.0 | 1.45 | 1.00 | 18 | 7.5mm |
| 16A-SM-1.5 | 16A-SF-1.5 | 16A-GM-1.5 | 16A-GF-1.5 | 1.75 | 1.50 | 16 | 7.5mm |
| 16A-SM-2.5 | 16A-SF-2.5 | 16A-GM-2.5 | 16A-GF-2.5 | 2.25 | 2.50 | 14 | 7.5mm |
| 16A-SM-4.0 | 16A-SF-4.0 | 16A-GM-4.0 | 16A-GF-4.0 | 2.85 | 4.00 | 12 | 7.5mm |

Tools

Crimping tool

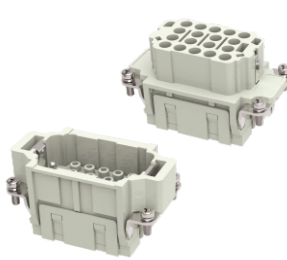
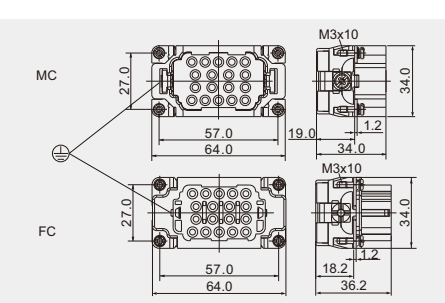
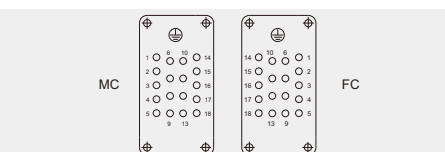
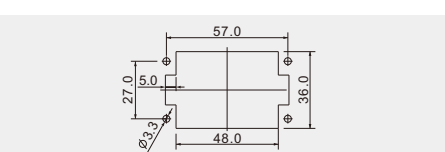
Wire gauge : 0.5~4.0mm² (AWG 20-12)
 Type : TL1-4.0


Removal tool

For: 16A 冷压针 16A Crimp contacts
 Type : RT-16A

High-density Inserts 500V 16A 18+ \oplus

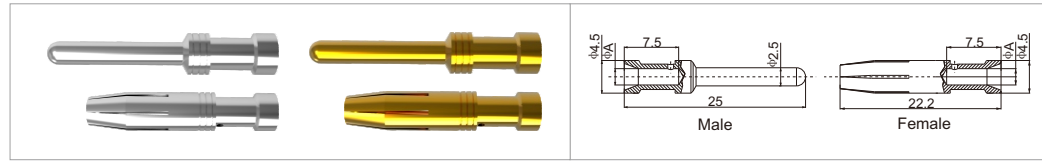
Hoods/Housings: Matching 10B Hoods Housing, detail on P118-123

| Inserts | Male | Female | Wire gauge | | Drawing |
|---|------------|------------|-----------------|-------|--|
| | | | mm ² | AWG | |
|  | DEE-018-MC | DEE-018-FC | 0.14-4.0 | 26-12 | Distance for contact max.21mm  Contacts arrangement view for termination side  Panel cut out for use without Hoods/housings  |

Accessories

When cold pressing connection is selected, additional stitches are needed, as shown in the attachment below:

(16A) Crimp contacts

 Material: Copper alloy
 Contact resistance $\leq 1\text{m}\Omega$
 Matching: DA, DE, DEE, DM, DK inserts
 Surface: Gold/silver plated
 Terminal: Crimp connection


| Contacts, silver-plated | | Contacts, gold plated | | ϕ (A) | Wire gauge | | Recommended stripping length |
|-------------------------|-----------------|-----------------------|-----------------|------------|--------------------|-------|------------------------------|
| Male Contacts | Female Contacts | Male Contacts | Female Contacts | | (mm ²) | (AWG) | |
| 16A-SM-0.37 | 16A-SF-0.37 | 16A-GM-0.37 | 16A-GF-0.37 | 0.9 | 0.14-0.37 | 26-22 | 7.5mm |
| 16A-SM-0.5 | 16A-SF-0.5 | 16A-GM-0.5 | 16A-GF-0.5 | 1.1 | 0.50 | 20 | 7.5mm |
| 16A-SM-0.75 | 16A-SF-0.75 | 16A-GM-0.75 | 16A-GF-0.75 | 1.3 | 0.75 | 18 | 7.5mm |
| 16A-SM-1.0 | 16A-SF-1.0 | 16A-GM-1.0 | 16A-GF-1.0 | 1.45 | 1.00 | 18 | 7.5mm |
| 16A-SM-1.5 | 16A-SF-1.5 | 16A-GM-1.5 | 16A-GF-1.5 | 1.75 | 1.50 | 16 | 7.5mm |
| 16A-SM-2.5 | 16A-SF-2.5 | 16A-GM-2.5 | 16A-GF-2.5 | 2.25 | 2.50 | 14 | 7.5mm |
| 16A-SM-4.0 | 16A-SF-4.0 | 16A-GM-4.0 | 16A-GF-4.0 | 2.85 | 4.00 | 12 | 7.5mm |

Tools

Crimping tool


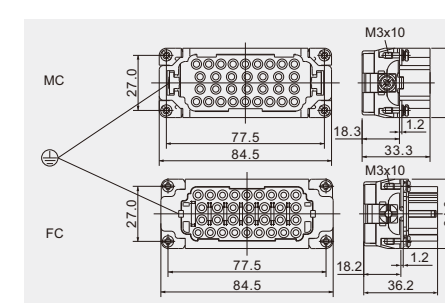
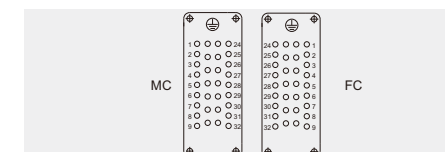
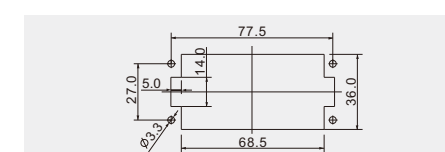
 Wire gauge : 0.5~4.0mm² (AWG 20-12)
 Type : TL1-4.0

Removal tool

 For: 16A 16A Crimp contacts
 Type : RT-16A

High-density Inserts 500V 16A 32+ \oplus

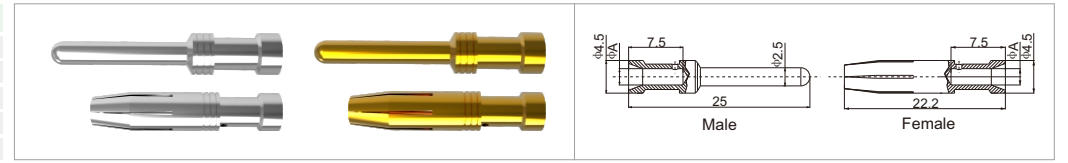
Hoods/Housings: Matching 16B Hoods Housing, detail on P124-130

| Inserts | Male | Female | Wire gauge | | Drawing |
|---|------------|------------|-----------------|-------|---|
| | | | mm ² | AWG | |
|  | DEE-032-MC | DEE-032-FC | 0.14-4.0 | 26-12 | Distance for contact max.21mm  Contacts arrangement view for termination side  Panel cut out for use without Hoods/housings  |

Accessories

When cold pressing connection is selected, additional stitches are needed, as shown in the attachment below:

(16A) Crimp contacts

 Material: Copper alloy
 Contact resistance $\leq 1\text{m}\Omega$
 Matching: DA, DE, DEE, DM, DK inserts
 Surface: Gold/silver plated
 Terminal: Crimp connection


| Contacts, silver-plated | | Contacts, gold plated | | ϕ (A) | Wire gauge | | Recommended stripping length |
|-------------------------|-----------------|-----------------------|-----------------|------------|--------------------|-------|------------------------------|
| Male Contacts | Female Contacts | Male Contacts | Female Contacts | | (mm ²) | (AWG) | |
| 16A-SM-0.37 | 16A-SF-0.37 | 16A-GM-0.37 | 16A-GF-0.37 | 0.9 | 0.14-0.37 | 26-22 | 7.5mm |
| 16A-SM-0.5 | 16A-SF-0.5 | 16A-GM-0.5 | 16A-GF-0.5 | 1.1 | 0.50 | 20 | 7.5mm |
| 16A-SM-0.75 | 16A-SF-0.75 | 16A-GM-0.75 | 16A-GF-0.75 | 1.3 | 0.75 | 18 | 7.5mm |
| 16A-SM-1.0 | 16A-SF-1.0 | 16A-GM-1.0 | 16A-GF-1.0 | 1.45 | 1.00 | 18 | 7.5mm |
| 16A-SM-1.5 | 16A-SF-1.5 | 16A-GM-1.5 | 16A-GF-1.5 | 1.75 | 1.50 | 16 | 7.5mm |
| 16A-SM-2.5 | 16A-SF-2.5 | 16A-GM-2.5 | 16A-GF-2.5 | 2.25 | 2.50 | 14 | 7.5mm |
| 16A-SM-4.0 | 16A-SF-4.0 | 16A-GM-4.0 | 16A-GF-4.0 | 2.85 | 4.00 | 12 | 7.5mm |

Tools

Crimping tool

 Wire gauge : 0.5~4.0mm² (AWG 20-12)
 Type : TL1-4.0

Removal tool

 For: 16A 16A Crimp contacts
 Type : RT-16A

High-density Inserts 500V 16A 46+ Ⓢ

Hoods/Housings: Matching 24B Hoods Housing, detail on P131-137

| Inserts | Male | Female | Wire gauge | | Drawing |
|-----------------------|------------|------------|-----------------|-------|--|
| | | | mm ² | AWG | |
| <p>Crimp terminal</p> | DEE-046-MC | DEE-046-FC | 0.14-4.0 | 26-12 | <p>Distance for contact max.21mm</p> <p>Contacts arrangement view for termination side</p> <p>Panel cut out for use without Hoods/housings</p> |

Accessories

When cold pressing connection is selected, additional stitches are needed, as shown in the attachment below:

(16A) Crimp contacts

Material: Copper alloy
 Contact resistance ≤ 1mΩ
 Matching: DA, DE, DEE, DM, DK inserts
 Surface: Gold/silver plated
 Terminal: Crimp connection



| Contacts, silver-plated | | Contacts, gold plated | | φ (A) | Wire gauge | | Recommended stripping length |
|-------------------------|-----------------|-----------------------|-----------------|-------|--------------------|-------|------------------------------|
| Male Contacts | Female Contacts | Male Contacts | Female Contacts | | (mm ²) | (AWG) | |
| 16A-SM-0.37 | 16A-SF-0.37 | 16A-GM-0.37 | 16A-GF-0.37 | 0.9 | 0.14-0.37 | 26-22 | 7.5mm |
| 16A-SM-0.5 | 16A-SF-0.5 | 16A-GM-0.5 | 16A-GF-0.5 | 1.1 | 0.50 | 20 | 7.5mm |
| 16A-SM-0.75 | 16A-SF-0.75 | 16A-GM-0.75 | 16A-GF-0.75 | 1.3 | 0.75 | 18 | 7.5mm |
| 16A-SM-1.0 | 16A-SF-1.0 | 16A-GM-1.0 | 16A-GF-1.0 | 1.45 | 1.00 | 18 | 7.5mm |
| 16A-SM-1.5 | 16A-SF-1.5 | 16A-GM-1.5 | 16A-GF-1.5 | 1.75 | 1.50 | 16 | 7.5mm |
| 16A-SM-2.5 | 16A-SF-2.5 | 16A-GM-2.5 | 16A-GF-2.5 | 2.25 | 2.50 | 14 | 7.5mm |
| 16A-SM-4.0 | 16A-SF-4.0 | 16A-GM-4.0 | 16A-GF-4.0 | 2.85 | 4.00 | 12 | 7.5mm |

Tools



Crimping tool

Wire gauge : 0.5~4.0mm² (AWG 20-12)
 Type : TL1-4.0



Removal tool

For: 16A 16A Crimp contacts
 Type : RT-16A

High-density Inserts 500V 16A 64+ Ⓢ

Hoods/Housings: Matching 32B Hoods Housing, detail on P138-139

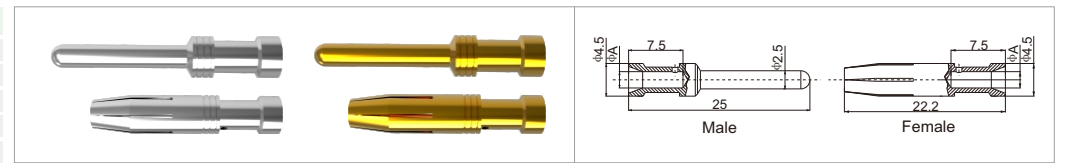
| Inserts | Male | Female | Wire gauge | | Drawing |
|-----------------------|---------------------------------|---------------------------------|-----------------|-------|--|
| | | | mm ² | AWG | |
| <p>Crimp terminal</p> | DEE-032-MC DEE-032-MC(33-64) | DEE-032-FC DEE-032-FC(33-64) | 0.14-4.0 | 26-12 | <p>Distance for contact max.21mm</p> <p>Contacts arrangement view for termination side</p> <p>Panel cut out for use without Hoods/housings</p> |

Accessories

When cold pressing connection is selected, additional stitches are needed, as shown in the attachment below:

(16A) Crimp contacts

Material: Copper alloy
 Contact resistance ≤ 1mΩ
 Matching: DA, DE, DEE, DM, DK inserts
 Surface: Gold/silver plated
 Terminal: Crimp connection



| Contacts, silver-plated | | Contacts, gold plated | | φ (A) | Wire gauge | | Recommended stripping length |
|-------------------------|-----------------|-----------------------|-----------------|-------|--------------------|-------|------------------------------|
| Male Contacts | Female Contacts | Male Contacts | Female Contacts | | (mm ²) | (AWG) | |
| 16A-SM-0.37 | 16A-SF-0.37 | 16A-GM-0.37 | 16A-GF-0.37 | 0.9 | 0.14-0.37 | 26-22 | 7.5mm |
| 16A-SM-0.5 | 16A-SF-0.5 | 16A-GM-0.5 | 16A-GF-0.5 | 1.1 | 0.50 | 20 | 7.5mm |
| 16A-SM-0.75 | 16A-SF-0.75 | 16A-GM-0.75 | 16A-GF-0.75 | 1.3 | 0.75 | 18 | 7.5mm |
| 16A-SM-1.0 | 16A-SF-1.0 | 16A-GM-1.0 | 16A-GF-1.0 | 1.45 | 1.00 | 18 | 7.5mm |
| 16A-SM-1.5 | 16A-SF-1.5 | 16A-GM-1.5 | 16A-GF-1.5 | 1.75 | 1.50 | 16 | 7.5mm |
| 16A-SM-2.5 | 16A-SF-2.5 | 16A-GM-2.5 | 16A-GF-2.5 | 2.25 | 2.50 | 14 | 7.5mm |
| 16A-SM-4.0 | 16A-SF-4.0 | 16A-GM-4.0 | 16A-GF-4.0 | 2.85 | 4.00 | 12 | 7.5mm |

Tools



Crimping tool

Wire gauge : 0.5~4.0mm² (AWG 20-12)
 Type : TL1-4.0


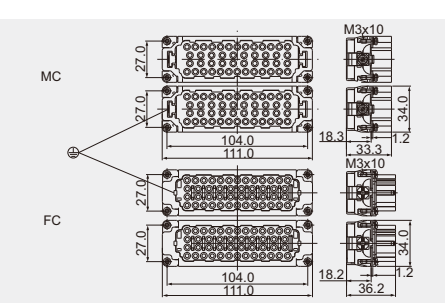
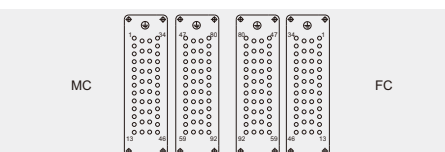
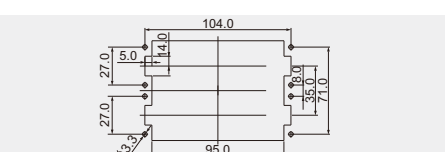


Removal tool

For: 16A 16A Crimp contacts
 Type : RT-16A

High-density Inserts 500V 16A 92+ ⊕

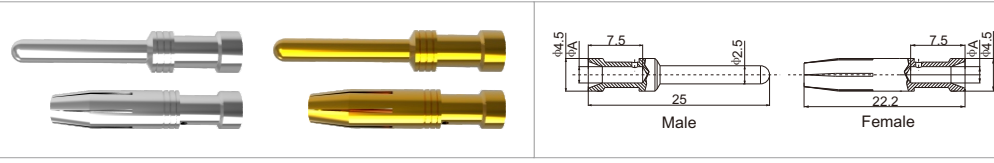
Hoods/Housings: Matching 48B Hoods Housing, detail on P140

| Inserts | Male | Female | Wire gauge | | Drawing |
|---|---------------------------------|---------------------------------|-----------------|-------|--|
| | | | mm ² | AWG | |
| Crimp terminal  | DEE-046-MC DEE-046-MC(47-92) | DEE-046-FC DEE-046-FC(47-92) | 0.14-4.0 | 26-12 | Distance for contact max.21mm  Contacts arrangement view for termination side  Panel cut out for use without Hoods/housings  |

Accessories

When cold pressing connection is selected, additional stitches are needed, as shown in the attachment below:

(16A) Crimp contacts

 Material: Copper alloy
 Contact resistance ≤ 1 mΩ
 Matching: DA, DE, DEE, DM, DK inserts
 Surface: Gold/silver plated
 Terminal: Crimp connection


| Contacts, silver-plated | | Contacts, gold plated | | φ (A) | Wire gauge | | Recommended stripping length |
|-------------------------|-----------------|-----------------------|-----------------|-------|--------------------|-------|------------------------------|
| Male Contacts | Female Contacts | Male Contacts | Female Contacts | | (mm ²) | (AWG) | |
| 16A-SM-0.37 | 16A-SF-0.37 | 16A-GM-0.37 | 16A-GF-0.37 | 0.9 | 0.14-0.37 | 26-22 | 7.5mm |
| 16A-SM-0.5 | 16A-SF-0.5 | 16A-GM-0.5 | 16A-GF-0.5 | 1.1 | 0.50 | 20 | 7.5mm |
| 16A-SM-0.75 | 16A-SF-0.75 | 16A-GM-0.75 | 16A-GF-0.75 | 1.3 | 0.75 | 18 | 7.5mm |
| 16A-SM-1.0 | 16A-SF-1.0 | 16A-GM-1.0 | 16A-GF-1.0 | 1.45 | 1.00 | 18 | 7.5mm |
| 16A-SM-1.5 | 16A-SF-1.5 | 16A-GM-1.5 | 16A-GF-1.5 | 1.75 | 1.50 | 16 | 7.5mm |
| 16A-SM-2.5 | 16A-SF-2.5 | 16A-GM-2.5 | 16A-GF-2.5 | 2.25 | 2.50 | 14 | 7.5mm |
| 16A-SM-4.0 | 16A-SF-4.0 | 16A-GM-4.0 | 16A-GF-4.0 | 2.85 | 4.00 | 12 | 7.5mm |

Tools

Crimping tool

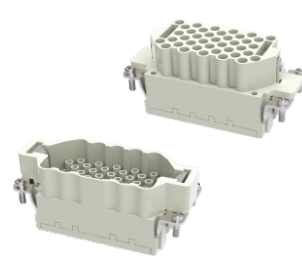
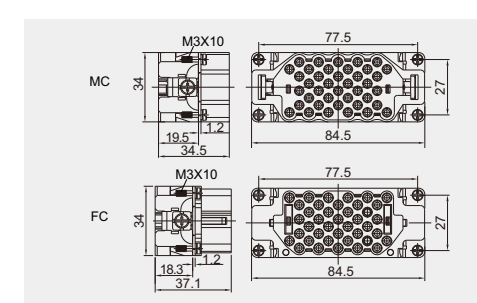
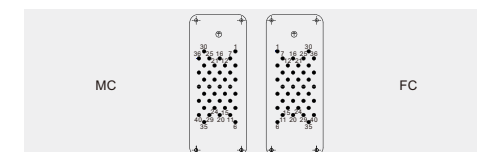
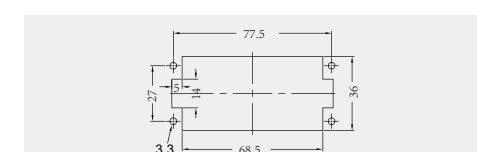
 Wire gauge : 0.5~4.0mm² (AWG 20-12)
 Type : TL1-4.0

Removal tool

 For: 16A 16A Crimp contacts
 Type : RT-16A

High-density Inserts 500V 16A 40+ ⊕

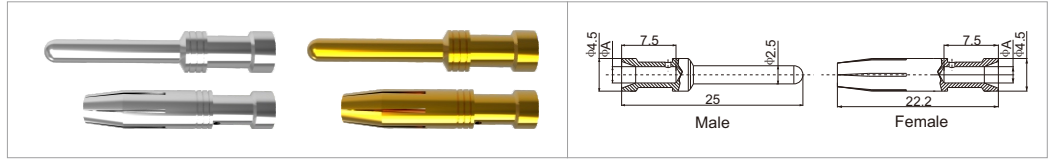
Hoods/Housings: Matching 16B Hoods Housing, detail on P124-130

| Inserts | Male | Female | Wire gauge | | Drawing |
|---|--------------|--------------|-----------------|-------|---|
| | | | mm ² | AWG | |
| Crimp terminal  | DEEEE-040-MC | DEEEE-040-FC | 0.14-4.0 | 26-12 | Distance for contact max.21mm  Contacts arrangement view for termination side  Panel cut out for use without Hoods/housings  |

Accessories

When cold pressing connection is selected, additional stitches are needed, as shown in the attachment below:

(16A) Crimp contacts

 Material: Copper alloy
 Contact resistance ≤ 1 mΩ
 Matching: DA, DE, DEE, DM, DK inserts
 Surface: Gold/silver plated
 Terminal: Crimp connection


| Contacts, silver-plated | | Contacts, gold plated | | φ (A) | Wire gauge | | Recommended stripping length |
|-------------------------|-----------------|-----------------------|-----------------|-------|--------------------|-------|------------------------------|
| Male Contacts | Female Contacts | Male Contacts | Female Contacts | | (mm ²) | (AWG) | |
| 16A-SM-0.37 | 16A-SF-0.37 | 16A-GM-0.37 | 16A-GF-0.37 | 0.9 | 0.14-0.37 | 26-22 | 7.5mm |
| 16A-SM-0.5 | 16A-SF-0.5 | 16A-GM-0.5 | 16A-GF-0.5 | 1.1 | 0.50 | 20 | 7.5mm |
| 16A-SM-0.75 | 16A-SF-0.75 | 16A-GM-0.75 | 16A-GF-0.75 | 1.3 | 0.75 | 18 | 7.5mm |
| 16A-SM-1.0 | 16A-SF-1.0 | 16A-GM-1.0 | 16A-GF-1.0 | 1.45 | 1.00 | 18 | 7.5mm |
| 16A-SM-1.5 | 16A-SF-1.5 | 16A-GM-1.5 | 16A-GF-1.5 | 1.75 | 1.50 | 16 | 7.5mm |
| 16A-SM-2.5 | 16A-SF-2.5 | 16A-GM-2.5 | 16A-GF-2.5 | 2.25 | 2.50 | 14 | 7.5mm |
| 16A-SM-4.0 | 16A-SF-4.0 | 16A-GM-4.0 | 16A-GF-4.0 | 2.85 | 4.00 | 12 | 7.5mm |

Tools

Crimping tool


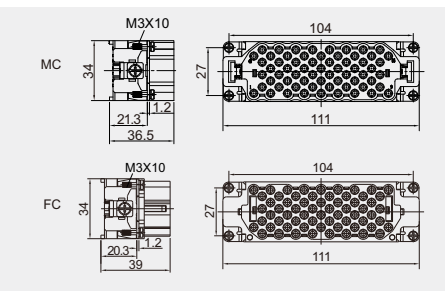
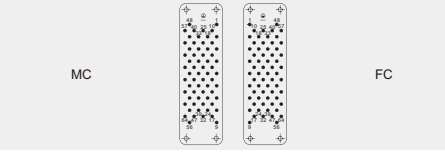
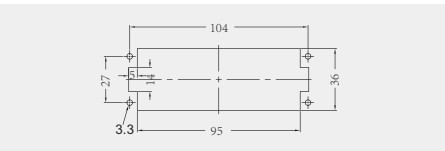
 Wire gauge : 0.5~4.0mm² (AWG 20-12)
 Type : TL1-4.0

Removal tool

 For: 16A 16A Crimp contacts
 Type : RT-16A

High-density Inserts 500V 16A 64+ ⚡

Hoods/Housings: Matching 24B Hoods Housing, detail on P131-137

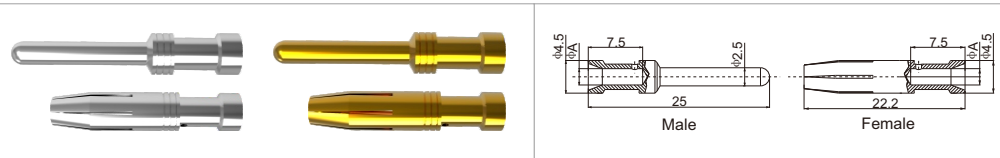
| Inserts | Male | Female | Wire gauge | | Drawing |
|---|-------------|-------------|-----------------|-------|--|
| | | | mm ² | AWG | |
|  <p>Crimp terminal</p> | DEEE-064-MC | DEEE-064-FC | 0.14-4.0 | 26-12 | Distance for contact max.21mm  Contacts arrangement view for termination side  Panel cut out for use without Hoods/housings  |

Accessories

When cold pressing connection is selected, additional stitches are needed, as shown in the attachment below:

(16A) Crimp contacts

Material: Copper alloy
 Contact resistance ≤ 1mΩ
 Matching: DA, DE, DEE, DM, DK inserts
 Surface: Gold/silver plated
 Terminal: Crimp connection



| Contacts, silver-plated | | Contacts, gold plated | | φ (A) | Wire gauge | | Recommended stripping length |
|-------------------------|-----------------|-----------------------|-----------------|-------|--------------------|-------|------------------------------|
| Male Contacts | Female Contacts | Male Contacts | Female Contacts | | (mm ²) | (AWG) | |
| 16A-SM-0.37 | 16A-SF-0.37 | 16A-GM-0.37 | 16A-GF-0.37 | 0.9 | 0.14-0.37 | 26-22 | 7.5mm |
| 16A-SM-0.5 | 16A-SF-0.5 | 16A-GM-0.5 | 16A-GF-0.5 | 1.1 | 0.50 | 20 | 7.5mm |
| 16A-SM-0.75 | 16A-SF-0.75 | 16A-GM-0.75 | 16A-GF-0.75 | 1.3 | 0.75 | 18 | 7.5mm |
| 16A-SM-1.0 | 16A-SF-1.0 | 16A-GM-1.0 | 16A-GF-1.0 | 1.45 | 1.00 | 18 | 7.5mm |
| 16A-SM-1.5 | 16A-SF-1.5 | 16A-GM-1.5 | 16A-GF-1.5 | 1.75 | 1.50 | 16 | 7.5mm |
| 16A-SM-2.5 | 16A-SF-2.5 | 16A-GM-2.5 | 16A-GF-2.5 | 2.25 | 2.50 | 14 | 7.5mm |
| 16A-SM-4.0 | 16A-SF-4.0 | 16A-GM-4.0 | 16A-GF-4.0 | 2.85 | 4.00 | 12 | 7.5mm |

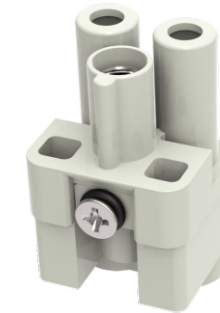
Tools

Crimping tool

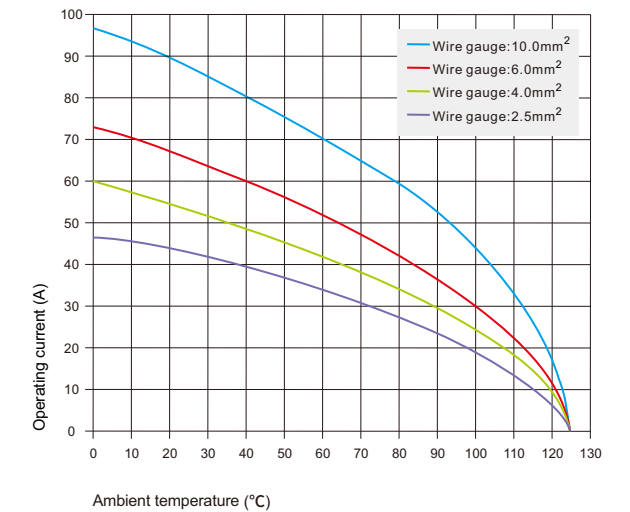
Wire gauge : 0.5~4.0mm² (AWG 20-12)
 Type : TL1-4.0


Removal tool

For: 16A 16A Crimp contacts
 Type : RT-16A

DQ - Series

Technical characteristics

| | |
|---------------------------------------|--|
| Specifications | DIN EN 60 664 DIN EN 61 984 |
| Inserts | |
| Electrical data acc.to EN 61 984 | |
| Number of contacts | 2+PE |
| • Rated current | 40A |
| • Rated voltage | 830V |
| • Rated impulse voltage | 6KV |
| • Pollution degree | 3 |
| Rated voltage acc.to UL CSA | 600V |
| Insulation resistance | ≥ 10 ¹⁰ Ω |
| Material | Polycarbonate |
| Limiting temperatures | -40 °C ~+125 °C |
| Flammability acc.to UL94 | V0 |
| Mechanical working life-mating cycles | ≥ 500 |
| Contacts | |
| Material | Copper alloy |
| Surface | Hard-gold plated Hard-silver plated |
| Contact resistance | ≤ 1m Ω |
| Axial screw terminal | |
| • mm ² | 2.5-10mm ² |
| • AWG | 14-8 |
| • Hexagonal Driver | SW2 |
| • Stripping length | |
| • mm ² | 2.5 4 6 10 |
| • mm ² | 5*1 5*1 8*1 11*1 |
| • Tightening torque | |
| • mm ² | 2.5 4 6 10 |
| • Nm | 1.5 1.5 2 2 |


Current carrying capacity

The current carrying is limited by maximum temperature of materials for Inserts and contacts including terminals.

Measuring and testing techniques according to DIN EN 60512-5.

Compact Series 830V 40A 2+ PE

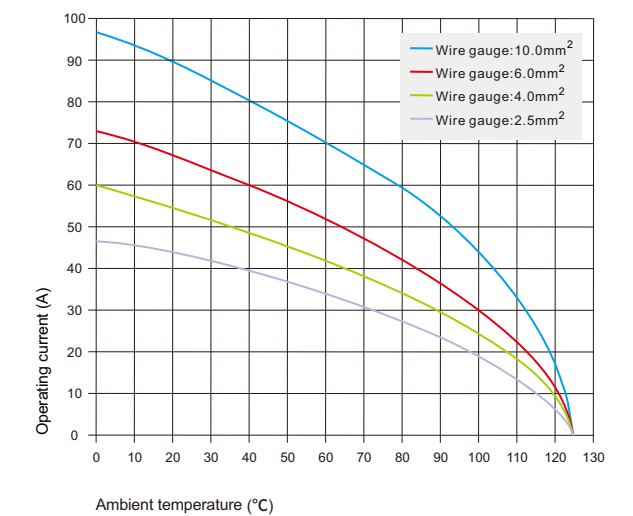
Hoods/Housings: Matching 3A Hoods Housing, detail on P108-110

| Inserts | Male | Female | Wire gauge | | Drawing |
|--------------------------|-------------------------------------|-------------------------------------|-----------------|-------|-----------------------------|
| | | | mm ² | AWG | |
| Axial screw terminal | DQ-002-M (2.5-6mm ²) | DQ-002-F (2.5-6mm ²) | 2.5-6 | 14-10 | Dimension and hole site |
| | DQ-002-M (4-10mm ²) | DQ-002-F (4-10mm ²) | 4-10 | 12-8 | Dimension and hole site |

DQ - Series

Technical characteristics

| | |
|---------------------------------------|--|
| Specifications | DIN EN 60 664 DIN EN 61 984 |
| Inserts | |
| Electrical data acc.to EN 61 984 | |
| Number of contacts | 2+PE |
| • Rated current | 40A |
| • Rated voltage | 400V |
| • Rated impulse voltage | 6KV |
| • Pollution degree | 3 |
| Rated voltage acc.to UL CSA | 600V |
| Insulation resistance | ≥ 10 ¹⁰ Ω |
| Material | Polycarbonate |
| Limiting temperatures | -40 °C ~+125 °C |
| Flammability acc.to UL94 | V0 |
| Mechanical working life-mating cycles | ≥ 500 |
| Contacts | |
| Material | Copper alloy |
| Surface | Hard-gold plated Hard-silver plated |
| Contact resistance | ≤ 1m Ω |
| Axial screw terminal | |
| • mm ² | 2.5-10mm ² |
| • AWG | 14-8 |
| • Hexagonal Driver | SW2 |
| • Stripping length | |
| • mm ² | 2.5 4 6 10 |
| • mm ² | 5*1 5*1 8*1 11*1 |
| • Tightening torque | |
| • mm ² | 2.5 4 6 10 |
| • Nm | 1.5 1.5 2 2 |


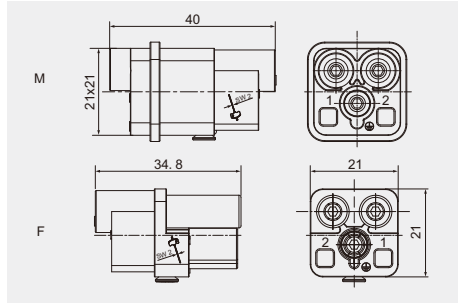
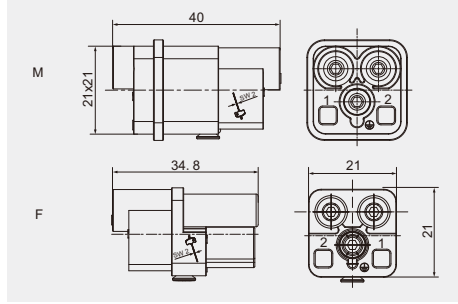

Current carrying capacity

The current carrying is limited by maximum temperature of materials for Inserts and contacts including terminals.

Measuring and testing techniques according to DIN EN 60512-5.

Compact Series 400V 40A 2+ ⊕

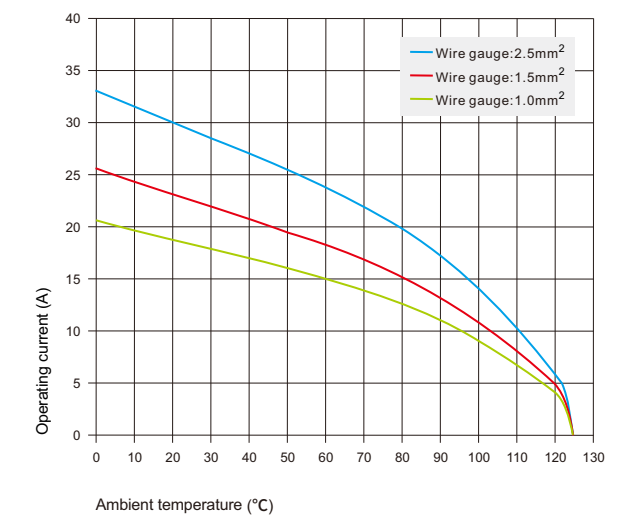
Hoods/Housings: Matching 3A Hoods Housing, detail on P108-110

| Inserts | Male | Female | Wire gauge | | Drawing |
|--|--------------------------------------|--------------------------------------|-----------------|-------|--|
| | | | mm ² | AWG | |
| Axial screw terminal  | DQV-002-M (2.5-6mm ²) | DQV-002-F (2.5-6mm ²) | 2.5-6 | 14-10 | Dimension and hole site  |
| | DQV-002-M (4-10mm ²) | DQV-002-F (4-10mm ²) | 4-10 | 12-8 | Dimension and hole site  |

DQ - Series

Technical characteristics

| | |
|---------------------------------------|--|
| Specifications | DIN EN 60 664 DIN EN 61 984 |
| Inserts | |
| Electrical data acc.to EN 61 984 | |
| Number of contacts | 4 |
| • Rated current | 40A |
| • Rated voltage | 830V |
| • Rated impulse voltage | 6KV |
| • Pollution degree | 3 |
| • Pollution degree 2 also | 40A 830/500V 6KV 2 |
| Rated voltage acc.to UL CSA | 600V |
| Insulation resistance | ≥ 10 ¹⁰ Ω |
| Material | Polycarbonate |
| Limiting temperatures | -40 °C ~+125 °C |
| Flammability acc.to UL94 | V0 |
| Mechanical working life-mating cycles | ≥ 500 |
| Contacts | |
| Material | Copper alloy |
| Surface | Hard-gold plated Hard-silver plated |
| Contact resistance | ≤ 1m Ω |
| Crimp terminal | |
| • Wire gauge | 1.5-10mm ² |
| • AWG | 16-8 |


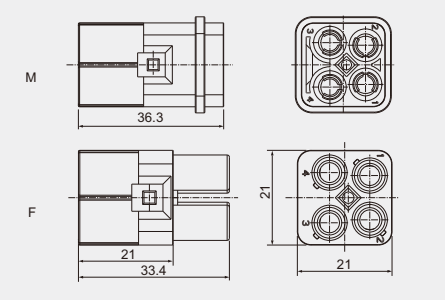

Current carrying capacity

The current carrying is limited by maximum temperature of materials for Inserts and contacts including terminals.

Measuring and testing techniques according to DIN EN 60512-5.

Compact Series 830V 40A 4

Hoods/Housings: Matching 3A Hoods Housing, detail on P108-110

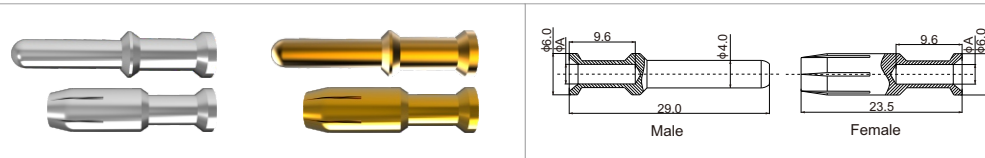
| Inserts | Male | Female | Wire gauge | | Drawing |
|---|-----------|-----------|-----------------|------|---|
| | | | mm ² | AWG | |
|  Crimp terminal | DQ-004-MC | DQ-004-FC | 1.5-10 | 16-8 | Dimension and hole site  |

Accessories

When cold pressing connection is selected, additional stitches are needed, as shown in the attachment below:

(40A) Crimp contacts

Material: Copper alloy
 Contact resistance $\leq 0.3m\Omega$
 Matching: DM, DK inserts
 Surface: Gold/silver plated
 Terminal: Crimp connection



| Contacts, silver-plated | | Contacts, gold plated | | (ϕA) | Wire gauge | | Recommended stripping length |
|-------------------------|-----------------|-----------------------|-----------------|------------|--------------------|-------|------------------------------|
| Male Contacts | Female Contacts | Male Contacts | Female Contacts | | (mm ²) | (AWG) | |
| 40A-SM-1.5 | 40A-SF-1.5 | 40A-GM-1.5 | 40A-GF-1.5 | 1.75 | 1.50 | 16 | 9.0mm |
| 40A-SM-2.5 | 40A-SF-2.5 | 40A-GM-2.5 | 40A-GF-2.5 | 2.25 | 2.50 | 14 | 9.0mm |
| 40A-SM-4.0 | 40A-SF-4.0 | 40A-GM-4.0 | 40A-GF-4.0 | 2.85 | 4.0 | 12 | 9.5mm |
| 40A-SM-6.0 | 40A-SF-6.0 | 40A-GM-6.0 | 40A-GF-6.0 | 3.50 | 6.0 | 10 | 9.5mm |

Tools

Crimping tool

Wire gauge : 0.5~4.0mm² (AWG 20-12)
 Type : TL1-4.0

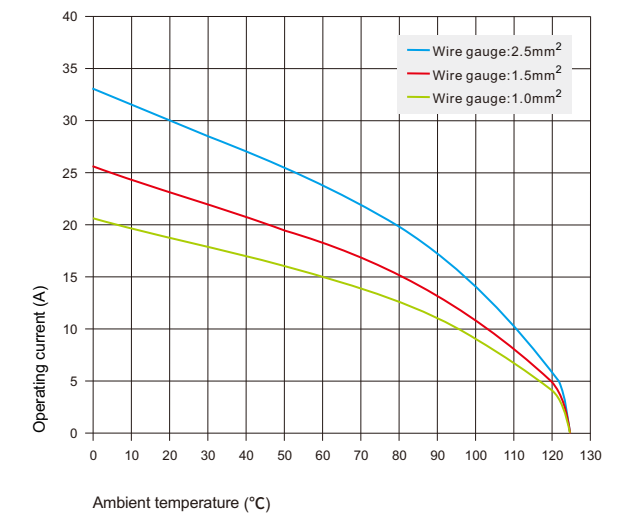

Removal tool

For: 40A Crimp contacts
 Type : RT-40A

DQ - Series

Technical characteristics

| | |
|---------------------------------------|--|
| Specifications | DIN EN 60 664 DIN EN 61 984 |
| Inserts | |
| Electrical data acc.to EN 61 984 | |
| Number of contacts | 5+PE |
| • Rated current | 16A |
| • Rated voltage conductor-ground | 230V |
| • Rated voltage conductor-conductor | 400V |
| • Rated impulse voltage | 4KV |
| • Pollution degree | 3 |
| • Pollution degree 2 also | 16A 320/500V 4KV 2 |
| Rated voltage acc.to UL CSA | 600V |
| Insulation resistance | $\geq 10^{10} \Omega$ |
| Material | Polycarbonate |
| Limiting temperatures | -40 °C ~+125 °C |
| Flammability acc.to UL94 | V0 |
| Mechanical working life-mating cycles | ≥ 500 |
| Contacts | |
| Material | Copper alloy |
| Surface | Hard-gold plated Hard-silver plated |
| Contact resistance | $\leq 1m \Omega$ |
| Crimp terminal | |
| • Wire gauge | 0.14-2.5mm ² |
| • AWG | 26-14 |
| PE screw terminal | |
| • Wire gauge | 0.5-2.5mm ² |
| • AWG | 20-14 |


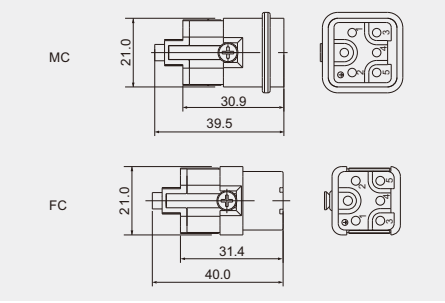

Current carrying capacity

The current carrying is limited by maximum temperature of materials for Inserts and contacts including terminals.

Measuring and testing techniques according to DIN EN 60512-5.

Compact Series 230V/400V 16A 5+ ⊕

Hoods/Housings: Matching 3A Hoods Housing, detail on P108-110

| Inserts | Male | Female | Wire gauge | | Drawing |
|---|-----------|-----------|-----------------|-------|---|
| | | | mm ² | AWG | |
| <p>Crimp terminal</p>  | DQ-005-MC | DQ-005-FC | 0.14-2.5 | 26-14 | <p>Dimension and hole site</p>  |

Accessories

When cold pressing connection is selected, additional stitches are needed, as shown in the attachment below:

(16A) Crimp contacts

Material: Copper alloy
 Contact resistance ≤ 1mΩ
 Matching: DA, DE, DEE, DM, DK inserts
 Surface: Gold/silver plated
 Terminal: Crimp connection



| Contacts, silver-plated | | Contacts, gold plated | | (φ A) | Wire gauge | | Recommended stripping length |
|-------------------------|-----------------|-----------------------|-----------------|-------|--------------------|-------|------------------------------|
| Male Contacts | Female Contacts | Male Contacts | Female Contacts | | (mm ²) | (AWG) | |
| 16A-SM-0.37 | 16A-SF-0.37 | 16A-GM-0.37 | 16A-GF-0.37 | 0.9 | 0.14-0.37 | 26-22 | 7.5mm |
| 16A-SM-0.5 | 16A-SF-0.5 | 16A-GM-0.5 | 16A-GF-0.5 | 1.1 | 0.50 | 20 | 7.5mm |
| 16A-SM-0.75 | 16A-SF-0.75 | 16A-GM-0.75 | 16A-GF-0.75 | 1.3 | 0.75 | 18 | 7.5mm |
| 16A-SM-1.0 | 16A-SF-1.0 | 16A-GM-1.0 | 16A-GF-1.0 | 1.45 | 1.00 | 18 | 7.5mm |
| 16A-SM-1.5 | 16A-SF-1.5 | 16A-GM-1.5 | 16A-GF-1.5 | 1.75 | 1.50 | 16 | 7.5mm |
| 16A-SM-2.5 | 16A-SF-2.5 | 16A-GM-2.5 | 16A-GF-2.5 | 2.25 | 2.50 | 14 | 7.5mm |
| 16A-SM-4.0 | 16A-SF-4.0 | 16A-GM-4.0 | 16A-GF-4.0 | 2.85 | 4.00 | 12 | 7.5mm |

Tools



Crimping tool

Wire gauge : 0.5~4.0mm² (AWG 20-12)
 Type : TL1-4.0



Removal tool

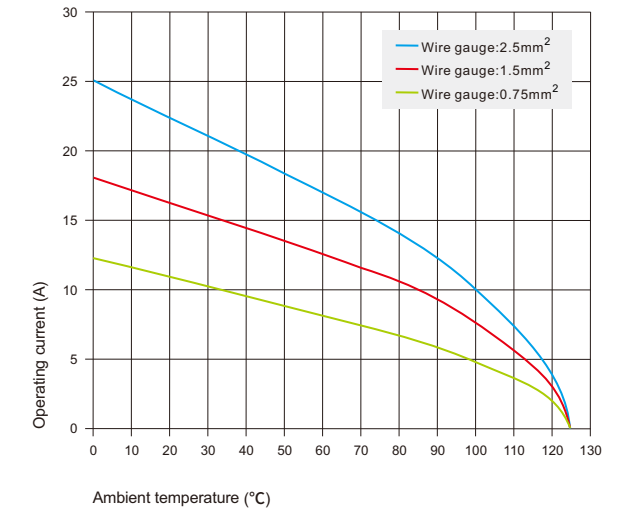
For: 16A 冷压针 16A Crimp contacts
 Type : RT-16A

DQ - Series



Technical characteristics

| | |
|---------------------------------------|--|
| Specifications | DIN EN 60 664 DIN EN 61 984 |
| Inserts | |
| Electrical data acc.to EN 61 984 | |
| Number of contacts | 7+PE |
| • Rated current | 10A |
| • Rated voltage | 400V |
| • Rated impulse voltage | 6KV |
| • Pollution degree | 3 |
| • Pollution degree 2 also | 10A 400/690V 6KV 2 |
| Rated voltage acc.to UL CSA | 600V |
| Insulation resistance | ≥ 10 ¹⁰ Ω |
| Material | Polycarbonate |
| Limiting temperatures | -40 °C ~+125 °C |
| Flammability acc.to UL94 | V0 |
| Mechanical working life-mating cycles | ≥ 500 |
| Contacts | |
| Material | Copper alloy |
| Surface | Hard-gold plated Hard-silver plated |
| Contact resistance | ≤ 3m Ω |
| Crimp terminal | |
| • Wire gauge | 0.14-2.5mm ² |
| • AWG | 26-14 |
| PE screw terminal | |
| • Wire gauge | 0.5-2.5mm ² |
| • AWG | 20-14 |




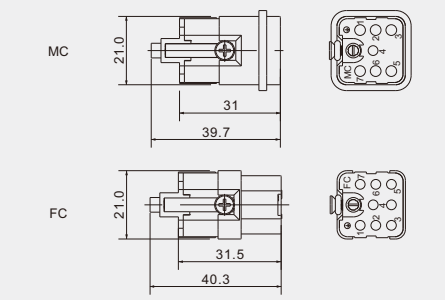
Current carrying capacity

The current carrying is limited by maximum temperature of materials for Inserts and contacts including terminals.

Measuring and testing techniques according to DIN EN 60512-5.

Compact Series 400V 10A 7+ ⊕

Hoods/Housings: Matching 3A Hoods Housing, detail on P108-110

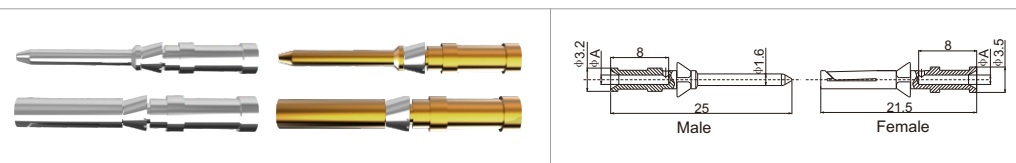
| Inserts | Male | Female | Wire gauge | | Drawing |
|---|-----------|-----------|-----------------|-------|---|
| | | | mm ² | AWG | |
| Crimp terminal  | DQ-007-MC | DQ-007-FC | 0.14-2.5 | 26-14 | Dimension and hole site  |

Accessories

When cold pressing connection is selected, additional stitches are needed, as shown in the attachment below:

(10A) Crimp contacts

Material: Copper alloy
 Contact resistance $\leq 3\text{m}\Omega$
 Matching: DD,DDD,DM,DK,DQ inserts
 Surface: Gold/silver plated
 Terminal: Crimp connection



| Contacts, silver-plated | | Contacts, gold plated | | (ϕA) | Wire gauge | | Recommended stripping length |
|-------------------------|-----------------|-----------------------|-----------------|------------|--------------------|-------|------------------------------|
| Male Contacts | Female Contacts | Male Contacts | Female Contacts | | (mm ²) | (AWG) | |
| 10A-SM-0.37 | 10A-SF-0.37 | 10A-GM-0.37 | 10A-GF-0.37 | 0.9 | 0.14-0.37 | 26-22 | 8mm |
| 10A-SM-0.5 | 10A-SF-0.5 | 10A-GM-0.5 | 10A-GF-0.5 | 1.1 | 0.50 | 20 | 8mm |
| 10A-SM-0.75 | 10A-SF-0.75 | 10A-GM-0.75 | 10A-GF-0.75 | 1.3 | 0.75 | 18 | 8mm |
| 10A-SM-1.0 | 10A-SF-1.0 | 10A-GM-1.0 | 10A-GF-1.0 | 1.45 | 1.00 | 18 | 8mm |
| 10A-SM-1.5 | 10A-SF-1.5 | 10A-GM-1.5 | 10A-GF-1.5 | 1.75 | 1.50 | 16 | 8mm |
| 10A-SM-2.5 | 10A-SF-2.5 | 10A-GM-2.5 | 10A-GF-2.5 | 2.25 | 2.50 | 14 | 6mm |

Tools

Crimping tool

Wire gauge : 0.5~4.0mm² (AWG 20-12)
 Type : TL1-4.0


Removal tool

For: 10A 10A Crimp contacts
 Type : RT-10A

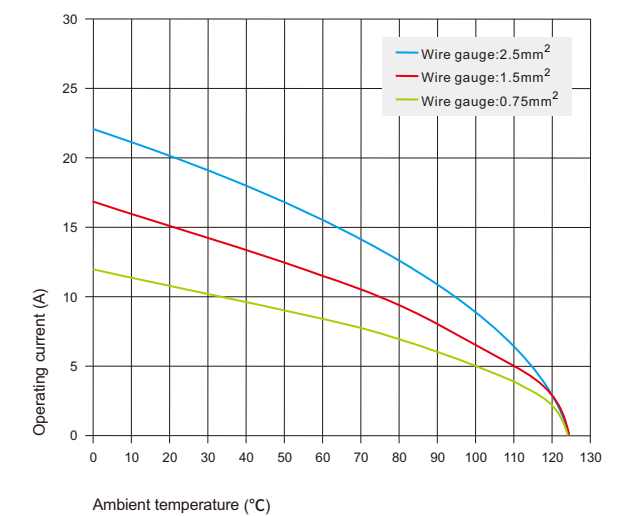

Coding pin

Type : DBM-Q7-F
 Type : DBM-Q7-M

DQ - Series

Technical characteristics

| | |
|---------------------------------------|--|
| Specifications | DIN EN 60 664 DIN EN 61 984 |
| Inserts | |
| Electrical data acc.to EN 61 984 | |
| Number of contacts | 12+PE |
| • Rated current | 10A |
| • Rated voltage | 400V |
| • Rated impulse voltage | 6KV |
| • Pollution degree | 3 |
| • Pollution degree 2 also | 10A 400/690V 6KV 2 |
| Rated voltage acc.to UL CSA | 600V |
| Insulation resistance | $\geq 10^{10} \Omega$ |
| Material | Polycarbonate |
| Limiting temperatures | -40 °C ~+125 °C |
| Flammability acc.to UL94 | V0 |
| Mechanical working life-mating cycles | ≥ 500 |
| Contacts | |
| Material | Copper alloy |
| Surface | Hard-gold plated Hard-silver plated |
| Contact resistance | $\leq 3\text{m}\Omega$ |
| Crimp terminal | |
| • Wire gauge | 0.14-2.5mm ² |
| • AWG | 26-14 |
| PE screw terminal | |
| • Wire gauge | 0.5-2.5mm ² |
| • AWG | 20-14 |


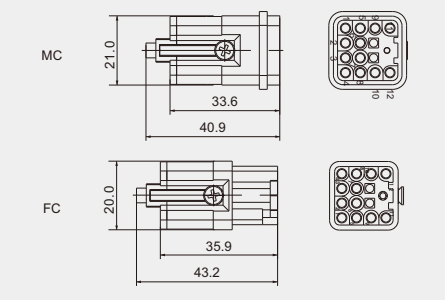

Current carrying capacity

The current carrying is limited by maximum temperature of materials for Inserts and contacts including terminals.

Measuring and testing techniques according to DIN EN 60512-5.

Compact Series 400V 10A 12+ \oplus

Hoods/Housings: Matching 3A Hoods Housing, detail on P108-110

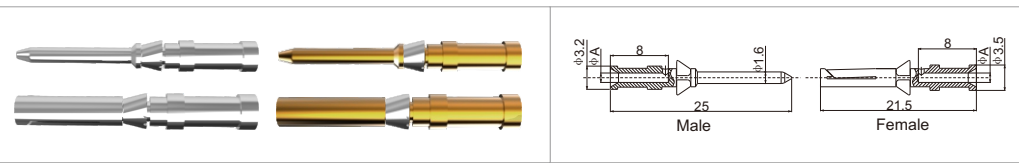
| Inserts | Male | Female | Wire gauge | | Drawing |
|---|-----------|-----------|-----------------|-------|---|
| | | | mm ² | AWG | |
| <p>Crimp terminal</p>  | DQ-012-MC | DQ-012-FC | 0.14-2.5 | 26-14 | <p>Dimension and hole site</p>  |

Accessories

When cold pressing connection is selected, additional stitches are needed, as shown in the attachment below:

(10A) Crimp contacts

Material: Copper alloy
 Contact resistance $\leq 3m\Omega$
 Matching: DD,DDD,DM,DK,DQ inserts
 Surface: Gold/silver plated
 Terminal: Crimp connection



| Contacts, silver-plated | | Contacts, gold plated | | ϕ (A) | Wire gauge | | Recommended stripping length |
|-------------------------|-----------------|-----------------------|-----------------|------------|--------------------|-------|------------------------------|
| Male Contacts | Female Contacts | Male Contacts | Female Contacts | | (mm ²) | (AWG) | |
| 10A-SM-0.37 | 10A-SF-0.37 | 10A-GM-0.37 | 10A-GF-0.37 | 0.9 | 0.14-0.37 | 26-22 | 8mm |
| 10A-SM-0.5 | 10A-SF-0.5 | 10A-GM-0.5 | 10A-GF-0.5 | 1.1 | 0.50 | 20 | 8mm |
| 10A-SM-0.75 | 10A-SF-0.75 | 10A-GM-0.75 | 10A-GF-0.75 | 1.3 | 0.75 | 18 | 8mm |
| 10A-SM-1.0 | 10A-SF-1.0 | 10A-GM-1.0 | 10A-GF-1.0 | 1.45 | 1.00 | 18 | 8mm |
| 10A-SM-1.5 | 10A-SF-1.5 | 10A-GM-1.5 | 10A-GF-1.5 | 1.75 | 1.50 | 16 | 8mm |
| 10A-SM-2.5 | 10A-SF-2.5 | 10A-GM-2.5 | 10A-GF-2.5 | 2.25 | 2.50 | 14 | 6mm |

Tools



Crimping tool

Wire gauge : 0.5~4.0mm² (AWG 20-12)
 Type : TL1-4.0



Removal tool

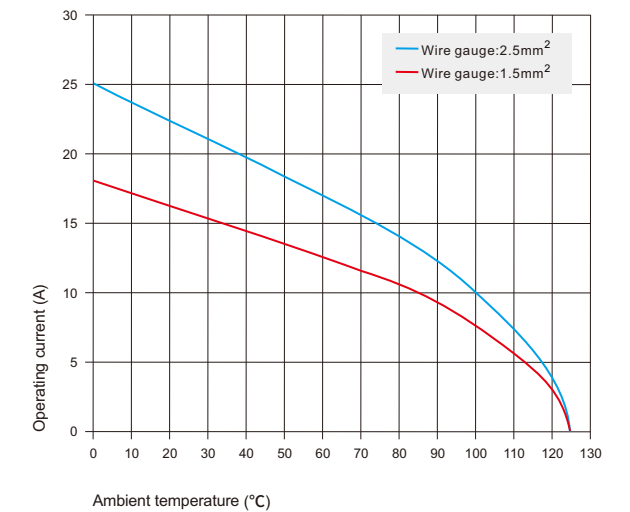
For: 10A 10A Crimp contacts
 Type : RT-10A

DQ - Series



Technical characteristics

| | |
|---------------------------------------|--|
| Specifications | DIN EN 60 664 DIN EN 61 984 |
| Inserts | |
| Electrical data acc.to EN 61 984 | |
| Number of contacts | 8+PE |
| • Rated current | 16A |
| • Rated voltage | 500V |
| • Rated impulse voltage | 6KV |
| • Pollution degree | 3 |
| • Pollution degree 2 also | 16A 400/690V 6KV 2 |
| Rated voltage acc.to UL CSA | 600V |
| Insulation resistance | $\geq 10^{10} \Omega$ |
| Material | Polycarbonate |
| Limiting temperatures | -40 °C ~+125 °C |
| Flammability acc.to UL94 | V0 |
| Mechanical working life-mating cycles | ≥ 500 |
| Contacts | |
| Material | Copper alloy |
| Surface | Hard-gold plated Hard-silver plated |
| Contact resistance | $\leq 1m \Omega$ |
| Crimp terminal | |
| • Wire gauge | 0.14-4mm ² |
| • AWG | 26-12 |
| PE screw terminal | |
| • Wire gauge | 0.5-2.5mm ² |
| • AWG | 20-14 |




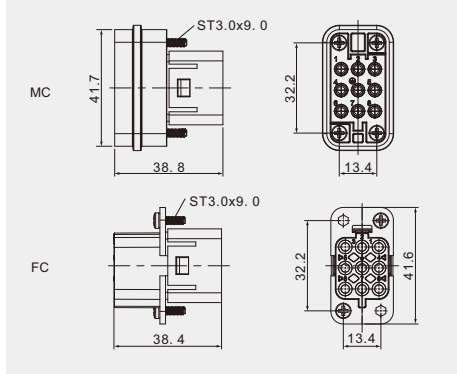

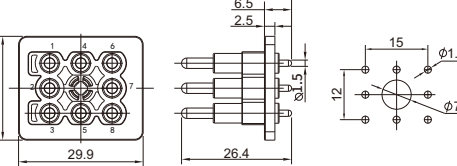
Current carrying capacity

The current carrying is limited by maximum temperature of materials for Inserts and contacts including terminals.

Measuring and testing techniques according to DIN EN 60512-5.

Compact Series 500V 16A 8+ ⚡

Hoods/Housings: Matching DC Hoods Housing, detail on P141

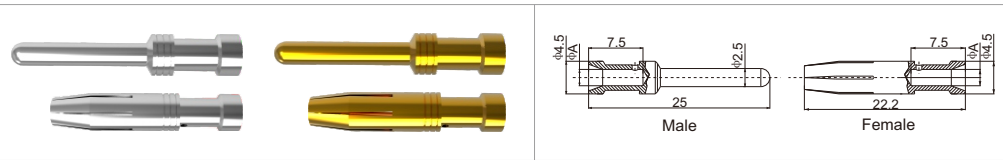
| Inserts | Male | Female | Wire gauge | | Drawing |
|---|------------|-----------|-----------------|-------|---|
| | | | mm ² | AWG | |
| <p>Crimp terminal</p>  | DQ-008-MC | DQ-008-FC | 0.14-4 | 26-12 | <p>Dimension and hole site</p>  |
| <p>PCB adapter</p>  | DQ-008-APT | | | |  |

Accessories

When cold pressing connection is selected, additional stitches are needed, as shown in the attachment below:

(16A) Crimp contacts

- Material: Copper alloy
- Contact resistance ≤ 1 mΩ
- Matching: DA, DE, DEE, DM, DK inserts
- Surface: Gold/silver plated
- Terminal: Crimp connection



| Contacts, silver-plated | | Contacts, gold plated | | (φ A) | Wire gauge | | Recommended stripping length |
|-------------------------|-----------------|-----------------------|-----------------|-------|--------------------|-------|------------------------------|
| Male Contacts | Female Contacts | Male Contacts | Female Contacts | | (mm ²) | (AWG) | |
| 16A-SM-0.37 | 16A-SF-0.37 | 16A-GM-0.37 | 16A-GF-0.37 | 0.9 | 0.14-0.37 | 26-22 | 7.5mm |
| 16A-SM-0.5 | 16A-SF-0.5 | 16A-GM-0.5 | 16A-GF-0.5 | 1.1 | 0.50 | 20 | 7.5mm |
| 16A-SM-0.75 | 16A-SF-0.75 | 16A-GM-0.75 | 16A-GF-0.75 | 1.3 | 0.75 | 18 | 7.5mm |
| 16A-SM-1.0 | 16A-SF-1.0 | 16A-GM-1.0 | 16A-GF-1.0 | 1.45 | 1.00 | 18 | 7.5mm |
| 16A-SM-1.5 | 16A-SF-1.5 | 16A-GM-1.5 | 16A-GF-1.5 | 1.75 | 1.50 | 16 | 7.5mm |
| 16A-SM-2.5 | 16A-SF-2.5 | 16A-GM-2.5 | 16A-GF-2.5 | 2.25 | 2.50 | 14 | 7.5mm |
| 16A-SM-4.0 | 16A-SF-4.0 | 16A-GM-4.0 | 16A-GF-4.0 | 2.85 | 4.00 | 12 | 7.5mm |

Tools



Crimping tool

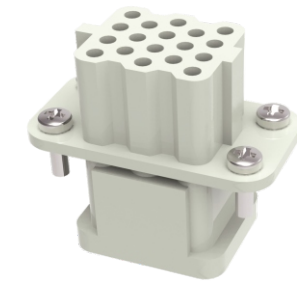
Wire gauge : 0.5~4.0mm² (AWG 20-12)
Type : TL1-4.0



Removal tool

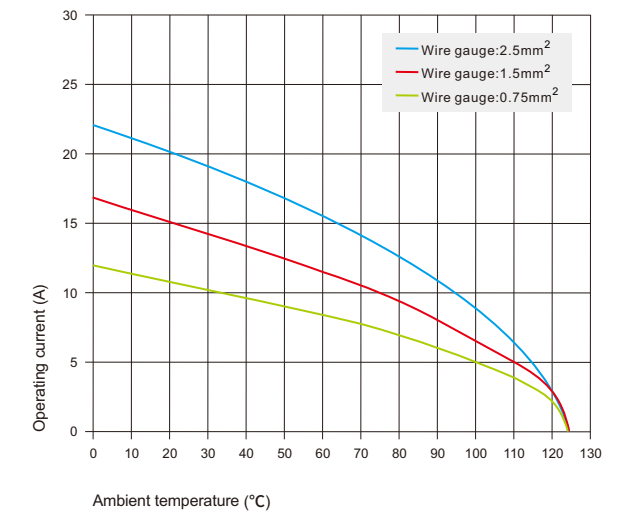
For: 16A 16A Crimp contacts
Type : RT-16A

DQ - Series



Technical characteristics

| | |
|---------------------------------------|--|
| Specifications | DIN EN 60 664 DIN EN 61 984 |
| Inserts | |
| Electrical data acc.to EN 61 984 | |
| Number of contacts | 17+PE |
| • Rated current | 10A |
| • Rated voltage | 250V |
| • Rated impulse voltage | 6KV |
| • Pollution degree | 3 |
| • Pollution degree 2 also | 10A 400/690V 6KV 2 |
| Rated voltage acc.to UL CSA | 600V |
| Insulation resistance | ≥ 10 ¹⁰ Ω |
| Material | Polycarbonate |
| Limiting temperatures | -40 °C ~+125 °C |
| Flammability acc.to UL94 | V0 |
| Mechanical working life-mating cycles | ≥ 500 |
| Contacts | |
| Material | Copper alloy |
| Surface | Hard-gold plated Hard-silver plated |
| Contact resistance | ≤ 3m Ω |
| Crimp terminal | |
| • Wire gauge | 0.14-2.5mm ² |
| • AWG | 26-14 |
| PE screw terminal | |
| • Wire gauge | 0.5-2.5mm ² |
| • AWG | 20-14 |




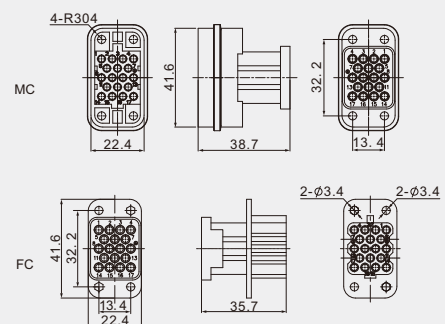
Current carrying capacity

The current carrying is limited by maximum temperature of materials for Inserts and contacts including terminals.

Measuring and testing techniques according to DIN EN 60512-5.

Compact Series 250V 10A 17+ \perp

Hoods/Housings: Matching DC Hoods Housing, detail on P141

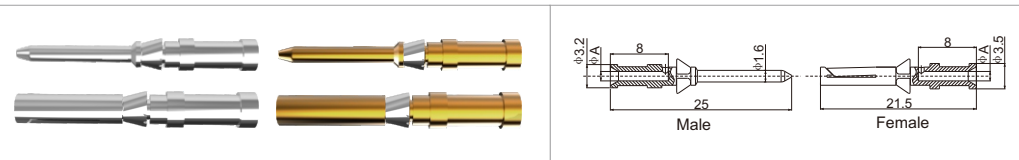
| Inserts | Male | Female | Wire gauge | | Drawing |
|---|-----------|-----------|-----------------|-------|---|
| | | | mm ² | AWG | |
| <p>Crimp terminal</p>  | DQ-017-MC | DQ-017-FC | 0.14-2.5 | 26-14 | <p>Dimension and hole site</p>  |

Accessories

When cold pressing connection is selected, additional stitches are needed, as shown in the attachment below:

(10A) Crimp contacts

Material: Copper alloy
 Contact resistance $\leq 3m\Omega$
 Matching: DD,DDD,DM,DK,DQ inserts
 Surface: Gold/silver plated
 Terminal: Crimp connection



| Contacts, silver-plated | | Contacts, gold plated | | ϕ (A) | Wire gauge | | Recommended stripping length |
|-------------------------|-----------------|-----------------------|-----------------|------------|--------------------|-------|------------------------------|
| Male Contacts | Female Contacts | Male Contacts | Female Contacts | | (mm ²) | (AWG) | |
| 10A-SM-0.37 | 10A-SF-0.37 | 10A-GM-0.37 | 10A-GF-0.37 | 0.9 | 0.14-0.37 | 26-22 | 8mm |
| 10A-SM-0.5 | 10A-SF-0.5 | 10A-GM-0.5 | 10A-GF-0.5 | 1.1 | 0.50 | 20 | 8mm |
| 10A-SM-0.75 | 10A-SF-0.75 | 10A-GM-0.75 | 10A-GF-0.75 | 1.3 | 0.75 | 18 | 8mm |
| 10A-SM-1.0 | 10A-SF-1.0 | 10A-GM-1.0 | 10A-GF-1.0 | 1.45 | 1.00 | 18 | 8mm |
| 10A-SM-1.5 | 10A-SF-1.5 | 10A-GM-1.5 | 10A-GF-1.5 | 1.75 | 1.50 | 16 | 8mm |
| 10A-SM-2.5 | 10A-SF-2.5 | 10A-GM-2.5 | 10A-GF-2.5 | 2.25 | 2.50 | 14 | 6mm |

Tools



Crimping tool

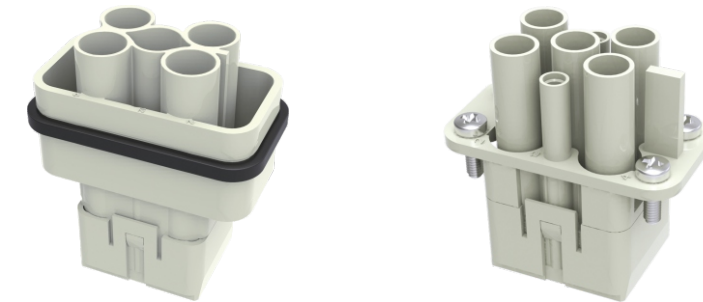
Wire gauge : 0.5~4.0mm² (AWG 20-12)
 Type : TL1-4.0



Removal tool

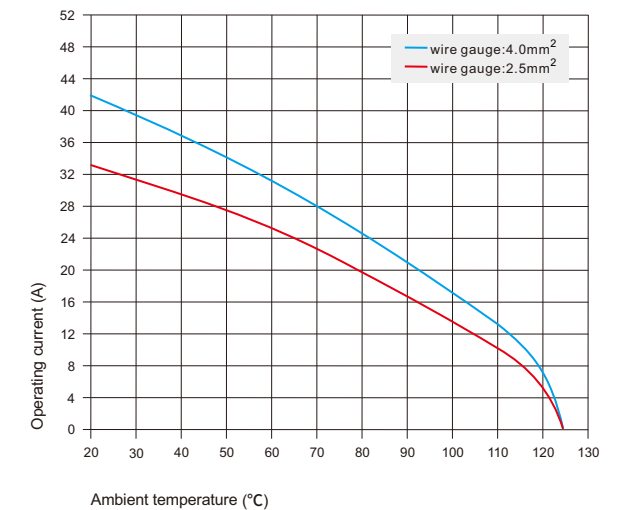
For: 10A 10A Crimp contacts
 Type : RT-10A

DQ - Series



Technical characteristics

| | |
|---------------------------------------|--|
| Specifications | DIN EN 60 664 DIN EN 61 984 |
| Inserts | |
| Electrical data acc.to EN 61 984 | |
| Number of contacts | 4/2+PE |
| Power area | |
| • Rated current | 40A |
| • Rated voltage conductor-ground | 400V |
| • Rated voltage conductor-conductor | 690V |
| • Rated impulse voltage | 6KV |
| • Pollution degree | 3 |
| Signal area | |
| • Rated current | 10A |
| • Rated voltage | 250V |
| • Rated impulse voltage | 4KV |
| • Pollution degree | 3 |
| Rated voltage acc.to UL CSA | 600/250V |
| Insulation resistance | $\geq 10^{10} \Omega$ |
| Material | Polycarbonate |
| Limiting temperatures | -40 °C ~+125 °C |
| Flammability acc.to UL94 | V0 |
| Mechanical working life-mating cycles | ≥ 500 |
| Contacts | |
| Power contacts | |
| Material | Copper alloy |
| Surface | Hard-gold plated Hard-silver plated |
| Contact resistance | $\leq 1m \Omega$ |
| Crimp terminal | |
| • Wire gauge | 1.5-6mm ² |
| • AWG | 16-10 |
| Signal contacts | |
| Material | Copper alloy |
| Surface | Hard-gold plated Hard-silver plated |
| Contact resistance | $\leq 3m \Omega$ |
| Crimp terminal | |
| • Wire gauge | 0.14-2.5mm ² |
| • AWG | 26-14 |




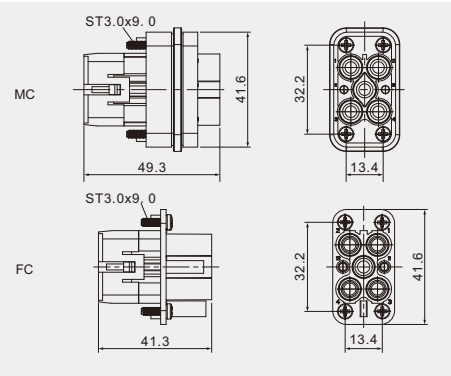
Current carrying capacity

The current carrying is limited by maximum temperature of materials for Inserts and contacts including terminals.

Measuring and testing techniques according to DIN EN 60512-5.

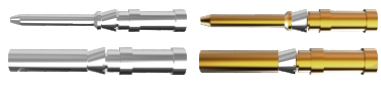
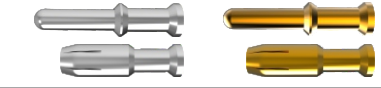
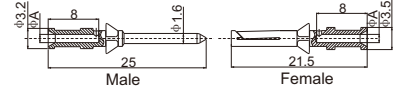
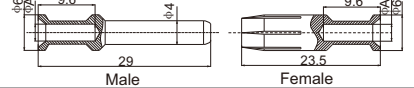
Compact Series 400/690V 40/10A 4/2+ ⊕

Hoods/Housings: Matching DC Hoods Housing, detail on P141

| Inserts | Male | Female | Wire gauge | | Drawing |
|---|-----------|-----------|-----------------------|------------------|--|
| | | | mm ² | AWG | |
|  | DQ-4/2-MC | DQ-4/2-FC | (1.5-6.0) 0.14-2.5 | (16-10) 26-14 |  |

Accessories

When cold pressing connection is selected, additional stitches are needed, as shown in the attachment below:

| (10A/40A) Crimp contacts | | (10A) | | (40A) | |
|---------------------------------------|--|--|--|--|--|
| Material: Copper alloy | |  | |  | |
| Contact resistance ≤ 3m Ω | |  | |  | |
| Matching: DD, DDD, DM, DK, DQ inserts | | Male | | Female | |
| Contact resistance ≤ 3m Ω | | Male | | Female | |
| Matching: DM, DK inserts | | Male | | Female | |
| Surface: Gold/silver plated | | Male | | Female | |
| Terminal: Crimp connection | | Male | | Female | |

| Contacts, silver-plated | | Contacts, gold plated | | (Φ A) | | Wire gauge | | | | Recommended stripping length | |
|-------------------------|-----------------|-----------------------|-----------------|-------|------|-----------------------|-----------------------|----------|----------|------------------------------|-------|
| Male Contacts | Female Contacts | Male Contacts | Female Contacts | 10A | 40A | 10A(mm ²) | 40A(mm ²) | 10A(AWG) | 40A(AWG) | 10A | 40A |
| 10A-SM-0.37 | 10A-SF-0.37 | 10A-GM-0.37 | 10A-GF-0.37 | 0.9 | -- | 0.14-0.37 | -- | 26-22 | -- | 8mm | -- |
| 10A-SM-0.5 | 10A-SF-0.5 | 10A-GM-0.5 | 10A-GF-0.5 | 1.1 | -- | 0.50 | -- | 20 | -- | 8mm | -- |
| 10A-SM-0.75 | 10A-SF-0.75 | 10A-GM-0.75 | 10A-GF-0.75 | 1.3 | -- | 0.75 | -- | 18 | -- | 8mm | -- |
| 10A-SM-1.0 | 10A-SF-1.0 | 10A-GM-1.0 | 10A-GF-1.0 | 1.45 | -- | 1.00 | -- | 18 | -- | 8mm | -- |
| 10A/40A-SM-1.5 | 10A/40A-SF-1.5 | 10A/40A-GM-1.5 | 10A/40A-GF-1.5 | 1.75 | 1.75 | 1.50 | 1.50 | 16 | 16 | 8mm | 9.0mm |
| 10A/40A-SM-2.5 | 10A/40A-SF-2.5 | 10A/40A-GM-2.5 | 10A/40A-GF-2.5 | 2.25 | 2.25 | 2.50 | 2.50 | 14 | 14 | 6mm | 9.0mm |
| 40A-SM-4.0 | 40A-SF-4.0 | 40A-GM-4.0 | 40A-GF-4.0 | -- | 2.85 | -- | 4.0 | -- | 12 | -- | 9.5mm |
| 40A-SM-6.0 | 40A-SF-6.0 | 40A-GM-6.0 | 40A-GF-6.0 | -- | 3.50 | -- | 6.0 | -- | 10 | -- | 9.5mm |

Tools



Crimping tool

Wire gauge : 0.5~4.0mm² (AWG 20-12)
Type : TL1-4.0



Removal tool

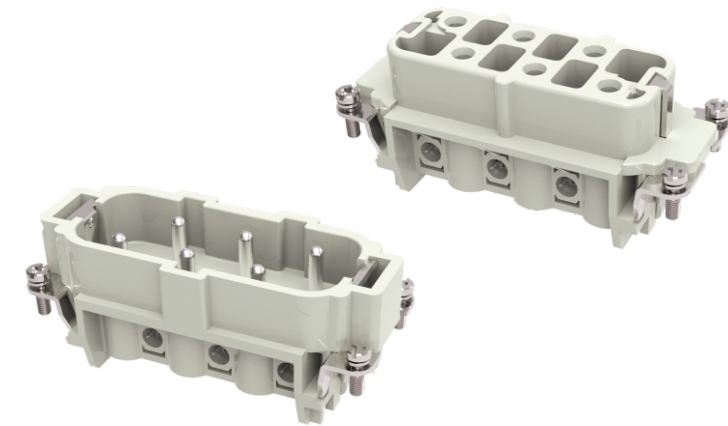
For: 10A 10A Crimp contacts
Type : RT-10A



Removal tool

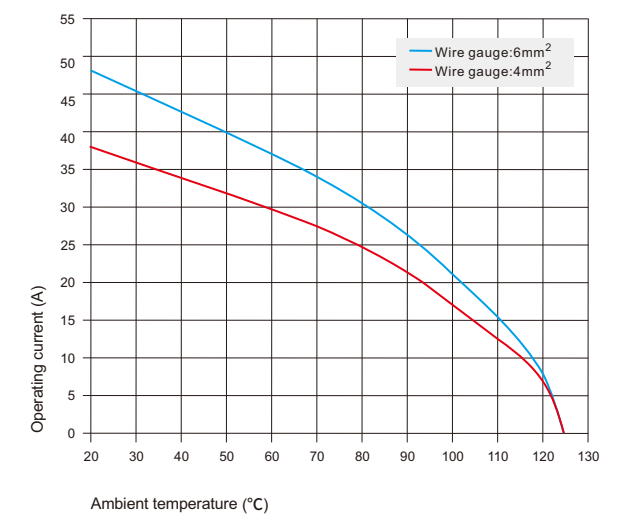
For: 40A 40A Crimp contacts
Type : RT-40A

DSB • Series



Technical characteristics

| | |
|---------------------------------------|--------------------------------|
| Specifications | DIN EN 60 664 DIN EN 61 984 |
| Inserts | |
| Electrical data acc.to EN 61 984 | |
| Number of contacts | 6,12+PE |
| • Rated current | 35A |
| • Rated voltage conductor-ground | 400V |
| • Rated voltage conductor-conductor | 690V |
| • Rated impulse voltage | 6KV |
| • Pollution degree | 3 |
| • or | 35A 500V 6KV 3 |
| Rated voltage acc.to UL CSA | 600V |
| Insulation resistance | ≥ 10 ¹⁰ Ω |
| Material | Polycarbonate |
| Limiting temperatures | -40 °C ~+125 °C |
| Flammability acc.to UL94 | V0 |
| Mechanical working life-mating cycles | ≥ 500 |
| Contacts | |
| Material | Copper alloy |
| Surface | Hard-silver plated |
| Contact resistance | ≤ 1m Ω |
| Screw terminal | |
| • Wire gauge | 1.5-6mm ² |
| • AWG | 10 |
| • Tightening torque | 1.2Nm |



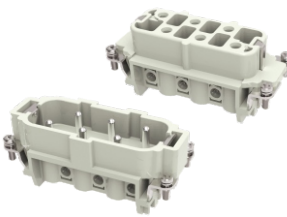
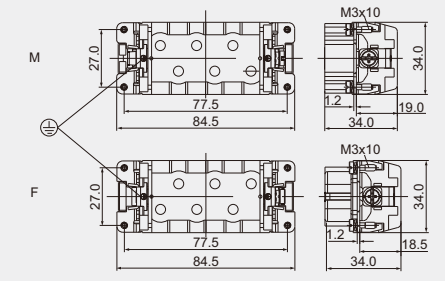
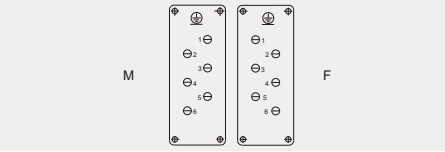
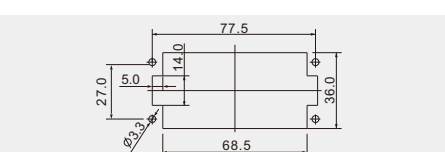
Current carrying capacity

The current carrying is limited by maximum temperature of materials for Inserts and contacts including terminals.

Measuring and testing techniques according to DIN EN 60512-5.


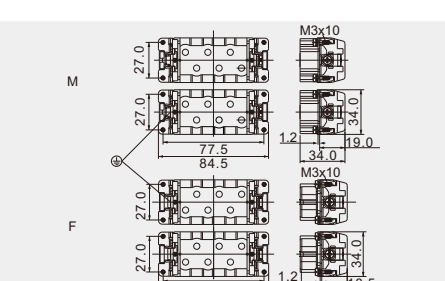
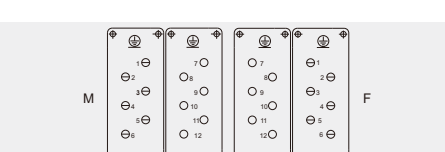
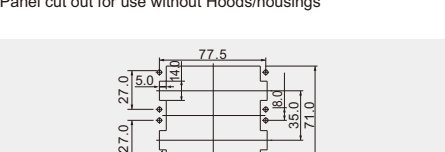
Heavy-current Inserts 400V/690V 35A 6+ ⊕

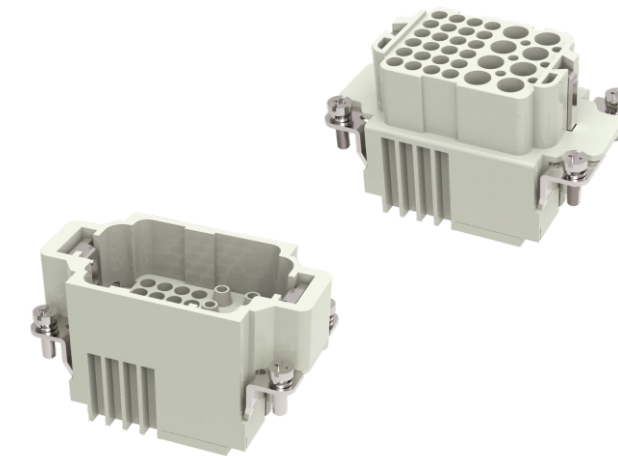
 Hoods/Housings: Matching **16B** Hoods Housing, detail on P124-130

| Inserts | Male | Female | Wire gauge | | Drawing |
|---|-----------|-----------|-----------------|-------|--|
| | | | mm ² | AWG | |
| Screw terminal  | DSB-006-M | DSB-006-F | 1.5-6.0 | 16-10 | Distance for contact max.21mm  Contacts arrangement view for termination side  Panel cut out for use without Hoods/housings  |

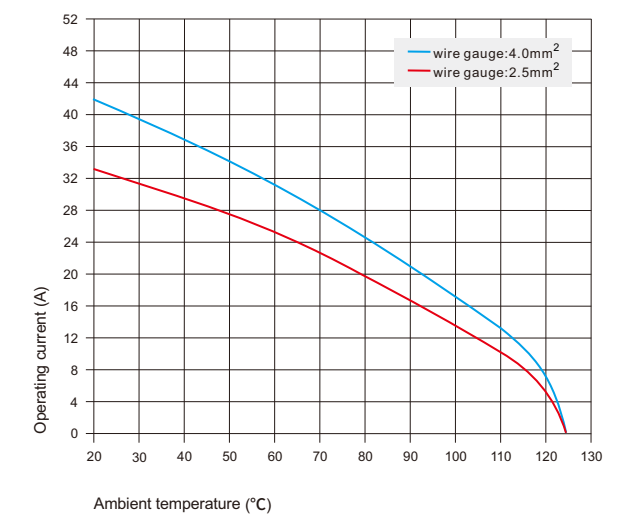
DSB-012 Heavy-current Inserts 400V/690V 35A 12+ ⊕

 Hoods/Housings: Matching **32B** Hoods Housing, detail on P138-139

| Inserts | Male | Female | Wire gauge | | Drawing |
|---|------------------------------|------------------------------|-----------------|-------|---|
| | | | mm ² | AWG | |
| Crimp terminal  | DSB-006-M DSB-006-M(7-12) | DSB-006-F DSB-006-F(7-12) | 1.5-6.0 | 16-10 | Distance for contact max.21mm  Contacts arrangement view for termination side  Panel cut out for use without Hoods/housings  |

DK - Series

Technical characteristics

| | |
|---------------------------------------|--|
| Specifications | DIN EN 60 664 DIN EN 61 984 |
| Inserts | |
| Electrical data acc.to EN 61 984 | |
| Number of contacts | 8/24+PE |
| Power area | |
| • Rated current | 16A |
| • Rated voltage | 400V |
| • Rated impulse voltage | 6KV |
| • Pollution degree | 3 |
| • Pollution degree 2 also | 10A 250V 4KV 2 |
| Signal area | |
| • Rated current | 10A |
| • Rated voltage | 250V |
| • Rated impulse voltage | 4KV |
| • Pollution degree | 3 |
| Rated voltage acc.to UL CSA | 600/300V |
| Insulation resistance | ≥ 10 ¹⁰ Ω |
| Material | Polycarbonate |
| Limiting temperatures | -40 °C ~+125 °C |
| Flammability acc.to UL94 | V0 |
| Mechanical working life-mating cycles | ≥ 500 |
| Contacts | |
| Power contacts | |
| Material | Copper alloy |
| Surface | Hard-gold plated Hard-silver plated |
| Contact resistance | ≤ 1m Ω |
| Crimp terminal | |
| • Wire gauge | 0.5-4mm ² |
| • AWG | 20-12 |
| Signal contacts | |
| Material | Copper alloy |
| Surface | Hard-gold plated Hard-silver plated |
| Contact resistance | ≤ 3m Ω |
| Crimp terminal | |
| • Wire gauge | 0.14-2.5mm ² |
| • AWG | 26-14 |

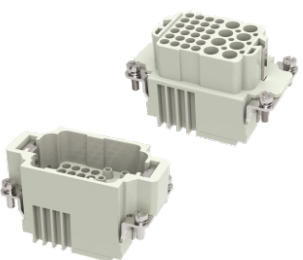
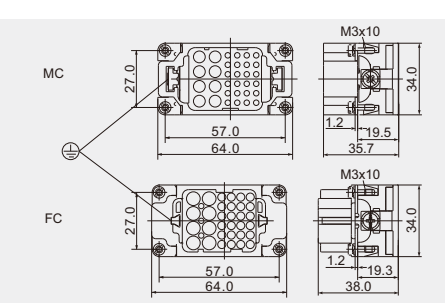
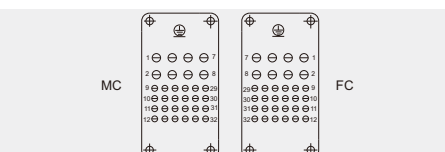
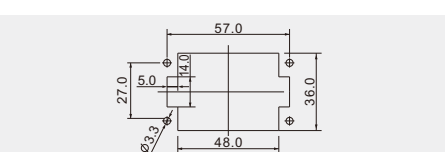

Current carrying capacity

The current carrying is limited by maximum temperature of materials for Inserts and contacts including terminals.

Measuring and testing techniques according to DIN EN 60512-5.

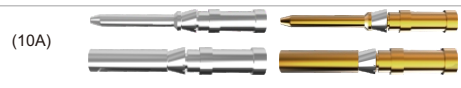
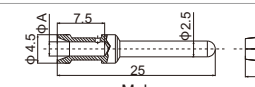
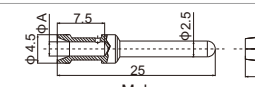
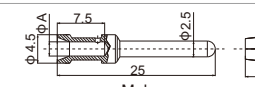
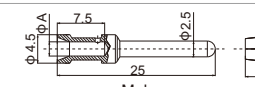
DK-8/24 Combination Inserts 400V/250V 16A/10A 8/24+ ⊕

Hoods/Housings: Matching 10B Hoods Housing, detail on P118-123

| Inserts | Male | Female | Wire gauge | | Drawing |
|---|------------|------------|---------------------|------------------|--|
| | | | mm ² | AWG | |
| Crimp terminal  | DK-8/24-MC | DK-8/24-FC | 0.5-4,0 0.14-2.5 | (20-12) 26-14 | Distance for contact max.21mm  Contacts arrangement view for termination side  Panel cut out for use without Hoods/housings  |

Accessories

When cold pressing connection is selected, additional stitches are needed, as shown in the attachment below:

| (10A/16A) Crimp contacts | | (10A) | | (16A) | |
|-----------------------------------|--|--|--|--|--|
| Material: Copper alloy | |  | |  | |
| Contact resistance ≤ 3m Ω | | Male | | Female | |
| Matching: DD,DDD,DM,DK,DQ inserts | |  | |  | |
| Contact resistance ≤ 1m Ω | | Male | | Female | |
| Matching: DA,DE,DEE,DM,DK inserts | |  | |  | |
| Surface: Gold/silver plated | | Male | | Female | |
| Terminal: Crimp connection | |  | |  | |

| Contacts, silver-plated | | Contacts, gold plated | | (ΦA) | | Wire gauge | | | | Recommended stripping length | |
|-------------------------|-----------------|-----------------------|-----------------|------|------|-----------------------|-----------------------|----------|----------|------------------------------|-------|
| Male Contacts | Female Contacts | Male Contacts | Female Contacts | 10A | 16A | 10A(mm ²) | 16A(mm ²) | 10A(AWG) | 16A(AWG) | 10A | 16A |
| 10A/16A-SM-0.37 | 10A/16A-SF-0.37 | 10A/16A-GM-0.37 | 10A/16A-GF-0.37 | 0.9 | 0.9 | 0.14-0.37 | 0.14-0.37 | 26-22 | 26-22 | 8mm | 7.5mm |
| 10A/16A-SM-0.5 | 10A/16A-SF-0.5 | 10A/16A-GM-0.5 | 10A/16A-GF-0.5 | 1.1 | 1.1 | 0.50 | 0.50 | 20 | 20 | 8mm | 7.5mm |
| 10A/16A-SM-0.75 | 10A/16A-SF-0.75 | 10A/16A-GM-0.75 | 10A/16A-GF-0.75 | 1.3 | 1.3 | 0.75 | 0.75 | 18 | 18 | 8mm | 7.5mm |
| 10A/16A-SM-1.0 | 10A/16A-SF-1.0 | 10A/16A-GM-1.0 | 10A/16A-GF-1.0 | 1.45 | 1.45 | 1.00 | 1.00 | 18 | 18 | 8mm | 7.5mm |
| 10A/16A-SM-1.5 | 10A/16A-SF-1.5 | 10A/16A-GM-1.5 | 10A/16A-GF-1.5 | 1.75 | 1.75 | 1.50 | 1.50 | 16 | 16 | 8mm | 7.5mm |
| 10A/16A-SM-2.5 | 10A/16A-SF-2.5 | 10A/16A-GM-2.5 | 10A/16A-GF-2.5 | 2.25 | 2.25 | 2.50 | 2.50 | 14 | 14 | 6mm | 7.5mm |
| 16A-SM-4.0 | 16A-SF-4.0 | 16A-GM-4.0 | 16A-GF-4.0 | -- | 2.85 | -- | 4.00 | -- | 12 | -- | 7.5mm |

Tools

Crimping tool

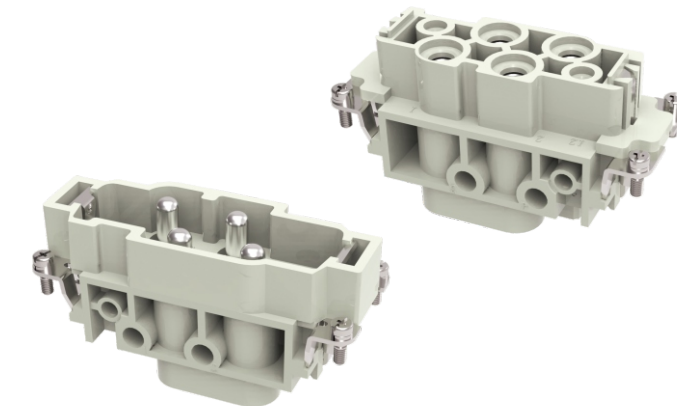
 Wire gauge : 0.5~4.0mm² (AWG 20-12)
 Type : TL1-4.0

Removal tool

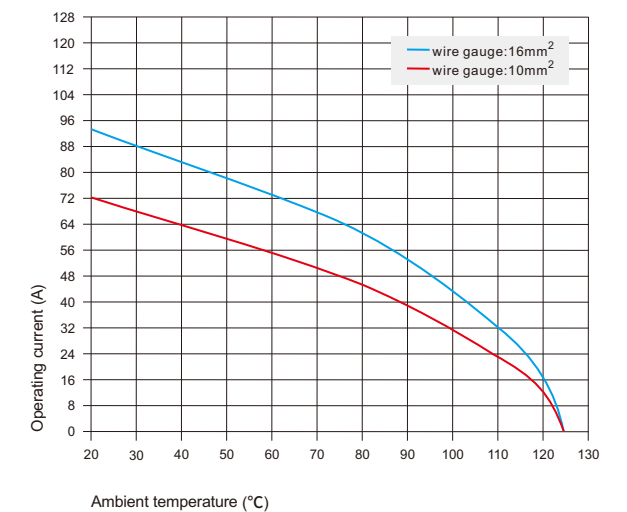
 For: 10A 10A Crimp contacts
 Type : RT-10A

Removal tool

 For: 16A 16A Crimp contacts
 Type : RT-16A

DK - Series

Technical characteristics

| | |
|---------------------------------------|--------------------------------|
| Specifications | DIN EN 60 664 DIN EN 61 984 |
| Inserts | |
| Electrical data acc.to EN 61 984 | |
| Number of contacts | 4/0+PE,4/2+PE |
| Power area | |
| • Rated current | 80A |
| • Rated voltage | 690V |
| • Rated impulse voltage | 8KV |
| • Pollution degree | 3 |
| • Pollution degree 2 also | 80A 1000V 8KV 2 |
| Signal area | |
| • Rated current | 16A |
| • Rated voltage | 400V |
| • Rated impulse voltage | 6KV |
| • Pollution degree | 3 |
| • Pollution degree 2 also | 16A 400/690V 6KV 2 |
| Rated voltage acc.to UL CSA | 600/300V |
| Insulation resistance | ≥ 10 ¹⁰ Ω |
| Material | Polycarbonate |
| Limiting temperatures | -40 °C ~+125 °C |
| Flammability acc.to UL94 | V0 |
| Mechanical working life-mating cycles | ≥ 500 |
| Contacts | |
| Power area | |
| Material | Copper alloy |
| Surface | Hard-silver plated |
| Contact resistance | ≤ 0.3m Ω |
| Screw terminal | |
| • Wire gauge | 1.5-16mm ² |
| • AWG | 16-6 |
| • Tightening torque | |
| • mm ² | 1.5 2.5 4 6 10 16 |
| • N.m | 1.2 2 3 3 3 3 |
| • Stripping length | 14mm |
| Signal area | |
| Material | Copper alloy |
| Surface | Hard-silver plated |
| Contact resistance | ≤ 1m Ω |
| Screw terminal | |
| • Wire gauge | 0.5-2.5mm ² |
| • AWG | 20-14 |
| • Tightening torque | 0.5Nm |
| • Stripping length | 7.5mm |


Current carrying capacity

The current carrying is limited by maximum temperature of materials for Inserts and contacts including terminals.

Measuring and testing techniques according to DIN EN 60512-5.

DK-4/0 Combination Inserts 690V 80A 4/0+ ⊕

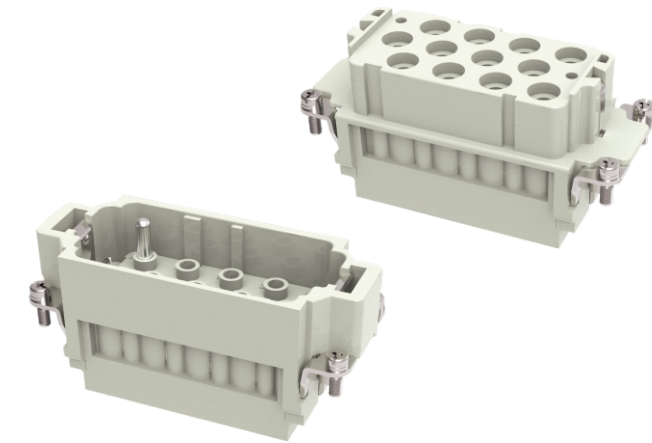
Hoods/Housings: Matching 16B Hoods Housing, detail on P124-130

| Inserts | Male | Female | Wire gauge | | Drawing |
|-----------------------|----------|----------|-----------------|------|--|
| | | | mm ² | AWG | |
| <p>Screw terminal</p> | DK-4/0-M | DK-4/0-F | 1.5-16 | 16-6 | <p>Distance for contact max.21mm</p> <p>Contacts arrangement view for termination side</p> <p>Panel cut out for use without Hoods/housings</p> |

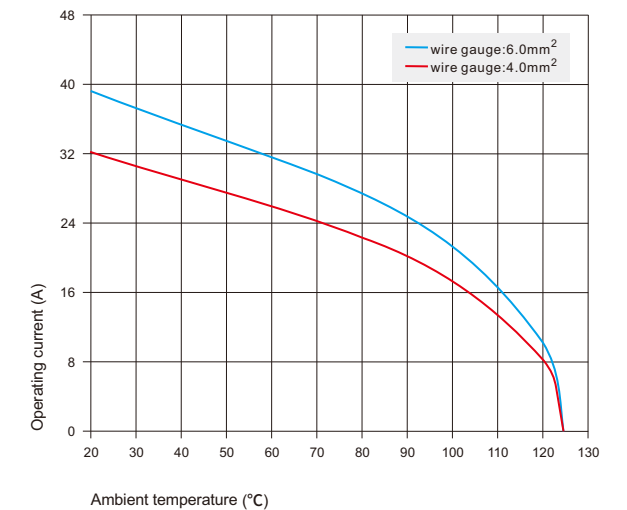
DK-4/2 Combination Inserts 690V/400V 80A/16A 4/2+

Hoods/Housings: Matching 16B Hoods Housing, detail on P124-130

| | | | | | |
|-----------------------|----------|----------|---------------------|-----------------|--|
| <p>Screw terminal</p> | DK-4/2-M | DK-4/2-F | (1.5-16) 1.0-2.5 | (16-6) 18-14 | <p>Distance for contact max.21mm</p> <p>Contacts arrangement view for termination side</p> <p>Panel cut out for use without Hoods/housings</p> |
|-----------------------|----------|----------|---------------------|-----------------|--|

DK - Series

Technical characteristics

| | |
|---------------------------------------|--|
| Specifications | DIN EN 60 664 DIN EN 61 984 |
| Inserts | |
| Electrical data acc.to EN 61 984 | |
| Number of contacts | 12/2+PE |
| Power area | |
| • Rated current | 40A |
| • Rated voltage | 690V |
| • Rated impulse voltage | 8KV |
| • Pollution degree | 3 |
| Signal area | |
| • Rated current | 10A |
| • Rated voltage | 250V |
| • Rated impulse voltage | 4KV |
| • Pollution degree | 3 |
| Rated voltage acc.to UL CSA | 600/300V |
| Insulation resistance | ≥ 10 ¹⁰ Ω |
| Material | Polycarbonate |
| Limiting temperatures | -40 °C ~+125 °C |
| Flammability acc.to UL94 | V0 |
| Mechanical working life-mating cycles | ≥ 500 |
| Contacts | |
| Power contacts | |
| Material | Copper alloy |
| Surface | Hard-gold plated Hard-silver plated |
| Contact resistance | ≤ 0.3m Ω |
| Crimp terminal | |
| • Wire gauge | 1.5-6mm ² |
| • AWG | 16-10 |
| • Max.insulation diameter | |
| Signal contacts | |
| Material | Copper alloy |
| Surface | Hard-gold plated Hard-silver plated |
| Contact resistance | ≤ 3m Ω |
| Crimp terminal | |
| • Wire gauge | 0.14-2.5mm ² |
| • AWG | 26-14 |


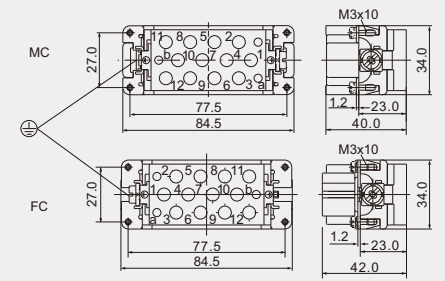
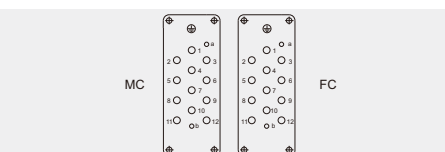
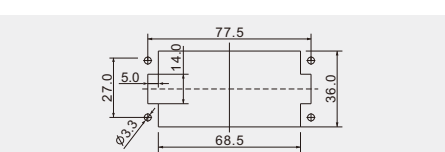

Current carrying capacity

The current carrying is limited by maximum temperature of materials for Inserts and contacts including terminals.

Measuring and testing techniques according to DIN EN 60512-5.



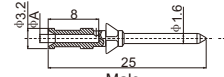
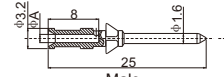
DK-12/2 Combination Inserts 690V/250V 40A/10A 12/2+ ⊕

Hoods/Housings: Matching 16B Hoods Housing, detail on P104-109

| Inserts | Male | Female | Wire gauge | | Drawing |
|---|------------|------------|---------------------|------------------|--|
| | | | mm ² | AWG | |
|  | DK-12/2-MC | DK-12/2-FC | 1.5-6.0 0.14-2.5 | (16-10) 26-14 | Distance for contact max.21mm  Contacts arrangement view for termination side  Panel cut out for use without Hoods/housings  |

Accessories

When cold pressing connection is selected, additional stitches are needed, as shown in the attachment below:

| (10A/40A) Crimp contacts | | (10A) | | (40A) | | Male | | Female | | | |
|-----------------------------|-----------------|---|-----------------|---|------|--|-----------------------|--|----------|-----|-------|
| Material: Copper alloy | |  | |  | |  | |  | | | |
| Contact resistance ≤ 3m Ω | | Matching: DD, DDD, DM, DK, DQ inserts | | Matching: DM, DK inserts | | Male | | Female | | | |
| Surface: Gold/silver plated | | | | | | Male | | Female | | | |
| Terminal: Crimp connection | | | | | | Male | | Female | | | |
| Contacts, silver-plated | | Contacts, gold plated | | (Φ A) | | Wire gauge | | Recommended stripping length | | | |
| Male Contacts | Female Contacts | Male Contacts | Female Contacts | 10A | 40A | 10A(mm ²) | 40A(mm ²) | 10A(AWG) | 40A(AWG) | 10A | 40A |
| 10A-SM-0.37 | 10A-SF-0.37 | 10A-GM-0.37 | 10A-GF-0.37 | 0.9 | -- | 0.14-0.37 | -- | 26-22 | -- | 8mm | -- |
| 10A-SM-0.5 | 10A-SF-0.5 | 10A-GM-0.5 | 10A-GF-0.5 | 1.1 | -- | 0.50 | -- | 20 | -- | 8mm | -- |
| 10A-SM-0.75 | 10A-SF-0.75 | 10A-GM-0.75 | 10A-GF-0.75 | 1.3 | -- | 0.75 | -- | 18 | -- | 8mm | -- |
| 10A-SM-1.0 | 10A-SF-1.0 | 10A-GM-1.0 | 10A-GF-1.0 | 1.45 | -- | 1.00 | -- | 18 | -- | 8mm | -- |
| 10A/40A-SM-1.5 | 10A/40A-SF-1.5 | 10A/40A-GM-1.5 | 10A/40A-GF-1.5 | 1.75 | 1.75 | 1.50 | 1.50 | 16 | 16 | 8mm | 9.0mm |
| 10A/40A-SM-2.5 | 10A/40A-SF-2.5 | 10A/40A-GM-2.5 | 10A/40A-GF-2.5 | 2.25 | 2.25 | 2.50 | 2.50 | 14 | 14 | 6mm | 9.0mm |
| 40A-SM-4.0 | 40A-SF-4.0 | 40A-GM-4.0 | 40A-GF-4.0 | -- | 2.85 | -- | 4.0 | -- | 12 | -- | 9.5mm |
| 40A-SM-6.0 | 40A-SF-6.0 | 40A-GM-6.0 | 40A-GF-6.0 | -- | 3.50 | -- | 6.0 | -- | 10 | -- | 9.5mm |

Tools



Crimping tool

 Wire gauge : 0.5~4.0mm² (AWG 20-12)
 Type : TL1-4.0

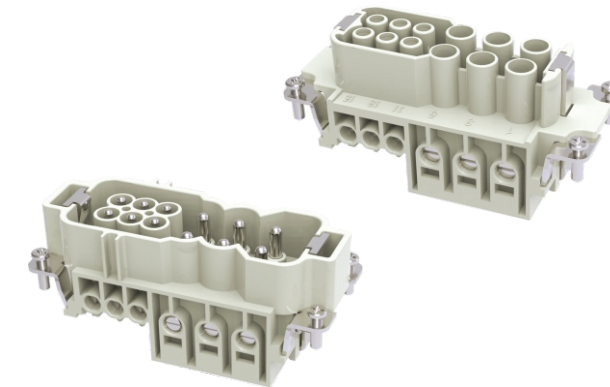

Removal tool

 For: 10A 10A Crimp contacts
 Type : RT-10A


Removal tool

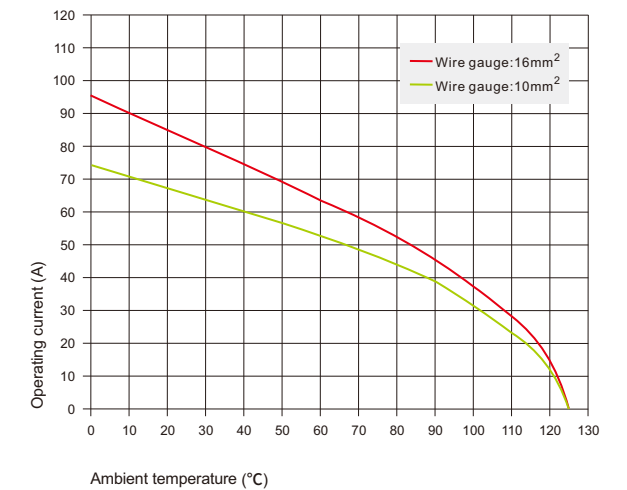
 For: 40A 40A Crimp contacts
 Type : RT-40A

DK - Series



Technical characteristics

| | |
|---------------------------------------|--------------------------------|
| Specifications | DIN EN 60 664 DIN EN 61 984 |
| Inserts | |
| Electrical data acc.to EN 61 984 | |
| Number of contacts | 6/6+PE |
| Power area | |
| • Rated current | 40A |
| • Rated voltage | 690V |
| • Rated impulse voltage | 8KV |
| • Pollution degree | 3 |
| Signal area | |
| • Rated current | 16A |
| • Rated voltage | 400V |
| • Rated impulse voltage | 6KV |
| • Pollution degree | 3 |
| Rated voltage acc.to UL CSA | 600/600V |
| Insulation resistance | ≥ 10 ¹⁰ Ω |
| Material | Polycarbonate |
| Limiting temperatures | -40 °C ~+125 °C |
| Flammability acc.to UL94 | V0 |
| Mechanical working life-mating cycles | ≥ 500 |
| Contacts | |
| Power area | |
| Material | Copper alloy |
| Surface | Hard-silver plated |
| Contact resistance | ≤ 1m Ω |
| Screw terminal | |
| • Wire gauge | 4-10mm ² |
| • AWG | 12-8 |
| • Tightening torque | |
| • mm ² | 1.5 2.5 4 6 10 |
| • N.m | 1.2 2 3 3 3 |
| Signal area | |
| Material | Copper alloy |
| Surface | Hard-silver plated |
| Contact resistance | ≤ 1m Ω |
| Screw terminal | |
| • Wire gauge | 1-2.5mm ² |
| • AWG | 18-4 |
| • Tightening torque | 0.5Nm |



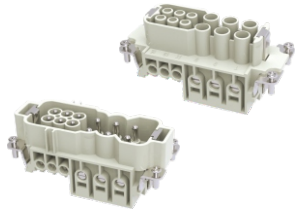
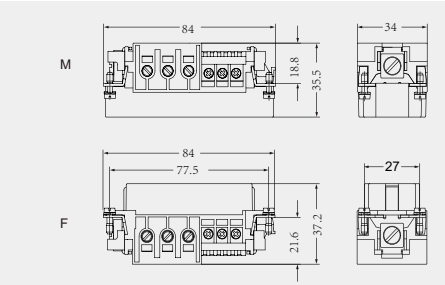
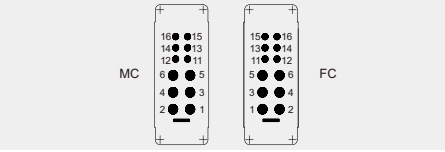
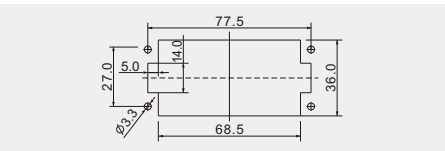
Current carrying capacity

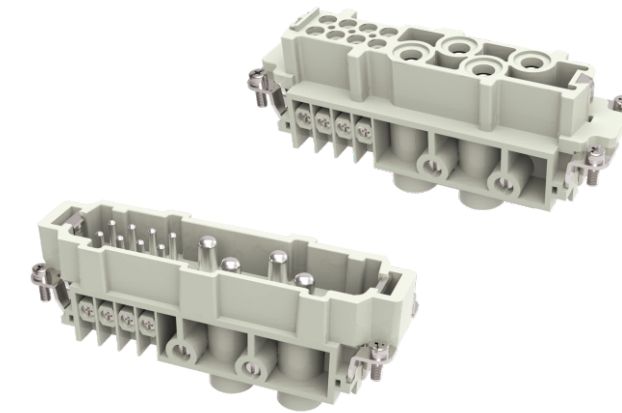
The current carrying is limited by maximum temperature of materials for Inserts and contacts including terminals.

Measuring and testing techniques according to DIN EN 60512-5.

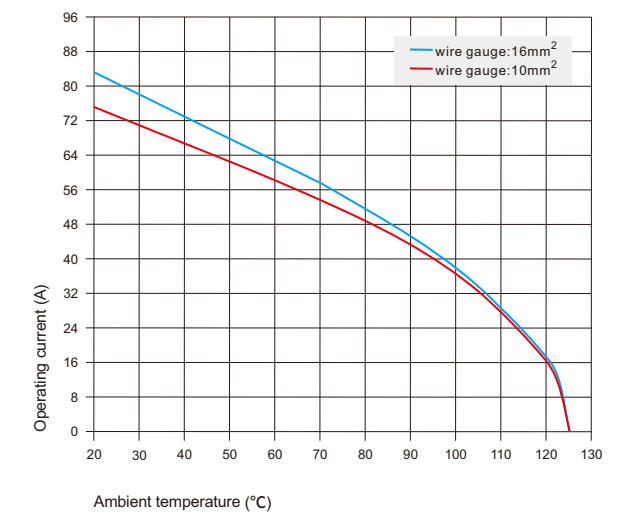
DWK-6/6 Combination Inserts 690/400V 40/16A 6/6+ ⊕

Hoods/Housings: Matching 16B Hoods Housing, detail on P124-130

| Inserts | Male | Female | Wire gauge | | Drawing |
|---|-----------|-----------|-----------------|----------------|--|
| | | | mm ² | AWG | |
| Axial screw terminal  | DWK-6/6-M | DWK-6/6-F | 1-2.5 4-10 | (18-4) 12-8 | Distance for contact max.21mm  Contacts arrangement view for termination side  Panel cut out for use without Hoods/housings  |

DK - Series

Technical characteristics

| | |
|---------------------------------------|--------------------------------|
| Specifications | DIN EN 60 664 DIN EN 61 984 |
| Inserts | |
| Electrical data acc.to EN 61 984 | |
| Number of contacts | 4/8+PE |
| Power area | |
| • Rated current | 80A |
| • Rated voltage | 400V |
| • Rated impulse voltage | 6KV |
| • Pollution degree | 3 |
| • Pollution degree 2 also | 80A 400/690V 6KV 2 |
| Signal area | |
| • Rated current | 16A |
| • Rated voltage | 400V |
| • Rated impulse voltage | 6KV |
| • Pollution degree | 3 |
| Rated voltage acc.to UL CSA | 600/600V |
| Insulation resistance | ≥ 10 ¹⁰ Ω |
| Material | Polycarbonate |
| Limiting temperatures | -40 °C ~+125 °C |
| Flammability acc.to UL94 | V0 |
| Mechanical working life-mating cycles | ≥ 500 |
| Contacts | |
| Power area | |
| Material | Copper alloy |
| Surface | Hard-silver plated |
| Contact resistance | ≤ 0.3m Ω |
| Screw terminal | |
| • Wire gauge | 1.5-16mm ² |
| • AWG | 16-6 |
| • Tightening torque | |
| • mm ² | 1.5 2.5 4 6 10 16 |
| • N.m | 1.2 2 3 3 3 3 |
| • Stripping length | 14mm |
| Signal area | |
| Material | Copper alloy |
| Surface | Hard-silver plated |
| Contact resistance | ≤ 1m Ω |
| Screw terminal | |
| • Wire gauge | 1.0-2.5mm ² |
| • AWG | 18-14 |
| • Tightening torque | 0.5Nm |
| • Stripping length | 7.5mm |

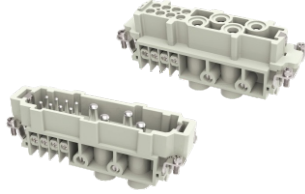
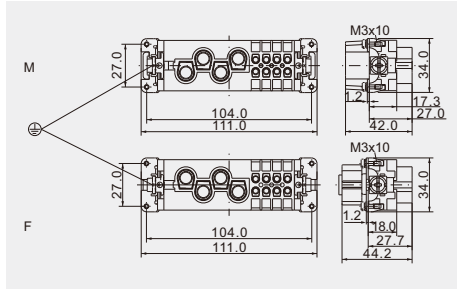
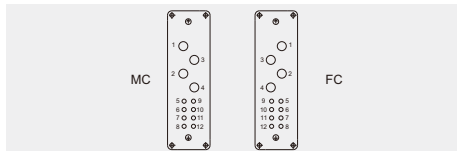
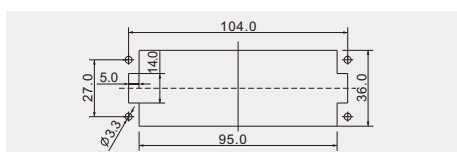

Current carrying capacity

The current carrying is limited by maximum temperature of materials for Inserts and contacts including terminals.

Measuring and testing techniques according to DIN EN 60512-5.

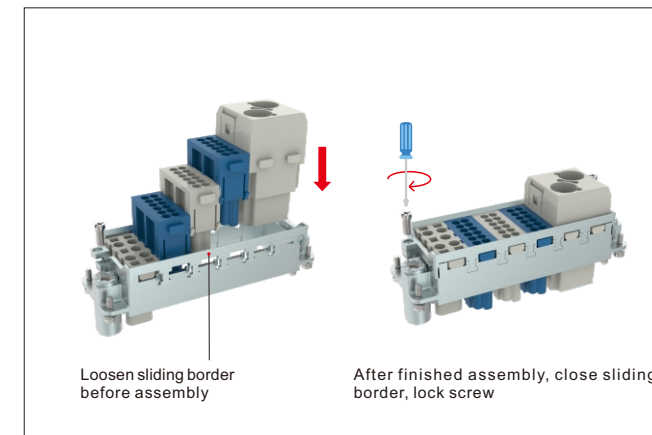
DK-4/8 Combination Inserts 400V/400V 80A/16A 4/8+ ⊕

Hoods/Housings: Matching 24B Hoods Housing, detail on P131-137

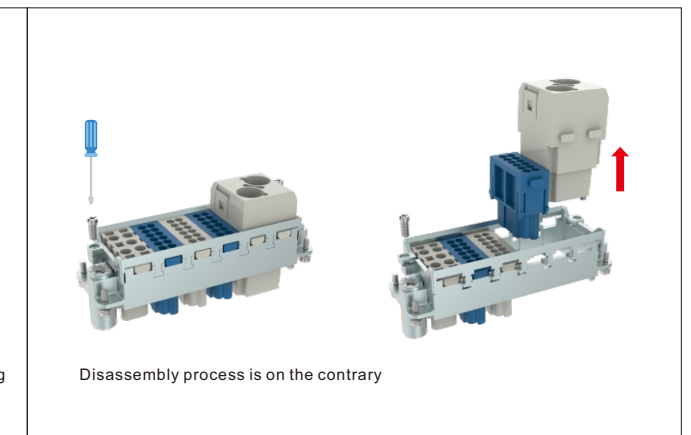
| Inserts | Male | Female | Wire gauge | | Drawing |
|---|----------|----------|--------------------|-----------------|--|
| | | | mm ² | AWG | |
| Screw terminal  | DK-4/8-M | DK-4/8-F | 1.5-16 0.75-2.5 | (16-6) 18-14 | Distance for contact max.21mm  Contacts arrangement view for termination side  Panel cut out for use without Hoods/housings  |

DF Hinged Frames

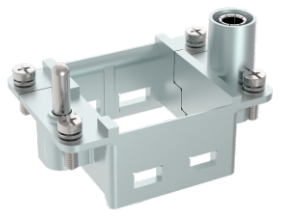
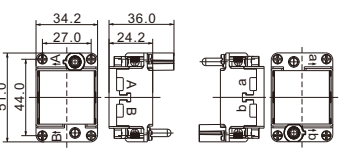
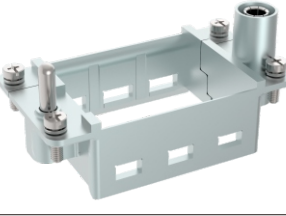
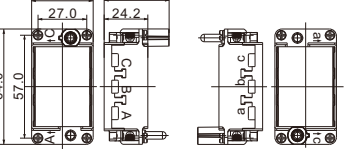
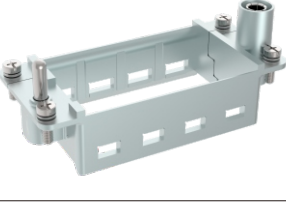
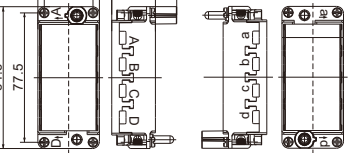
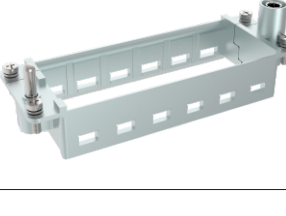
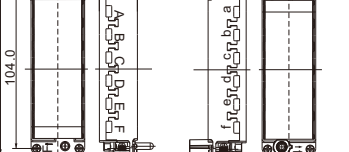
Assembly instruction



Disassembly instruction

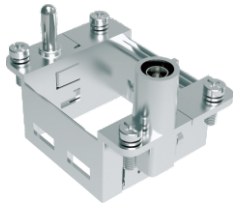
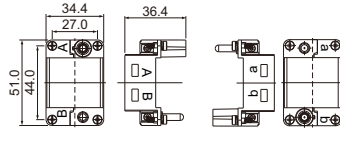


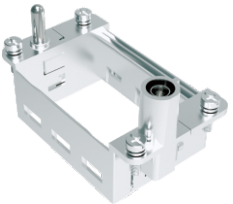
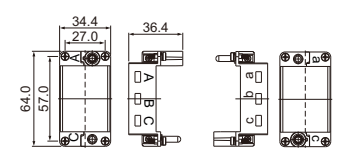
Frame Version

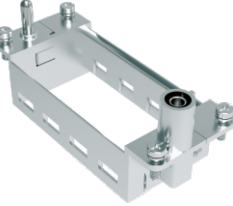
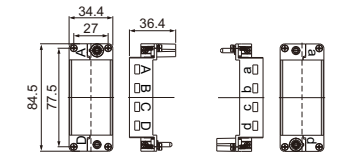
| 6B frame, size 6B hoods/housings | | | | Dimension |
|---|----------------------|------------|--------------------------------|---|
|  | Type | Marking | Description |  |
| | DF6B-UA DF6B-LA | A-B a-b | For 2 modules For 2 modules | |
|  | Type | Marking | Description |  |
| | DF10B-UA DF10B-LA | A-C a-c | For 3 modules For 3 modules | |
|  | Type | Marking | Description |  |
| | DF16B-UA DF16B-LA | A-D a-d | For 4 modules For 4 modules | |
|  | Type | Marking | Description |  |
| | DF24B-UA DF24B-LA | A-F a-f | For 6 modules For 6 modules | |

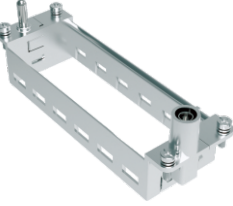
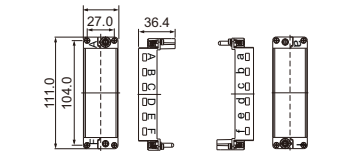
DF Hinged Frames

Frame Version

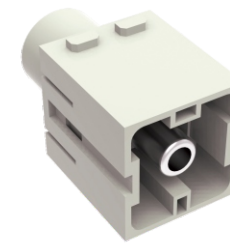
| 6B frame, size 6B hoods/housings | | | | Dimension |
|---|----------------------------------|------------|--------------------------------|---|
|  | Type | Marking | Description |  |
| | DF6B-UA-00A(H) DF6B-LA-00A(H) | A-B a-b | For 2 modules For 2 modules | |

| 10B frame, size 10B hoods/housings | | | | Dimension |
|---|------------------------------------|------------|--------------------------------|---|
|  | Type | Marking | Description |  |
| | DF10B-UA-00A(H) DF10B-LA-00A(H) | A-C a-c | For 3 modules For 3 modules | |

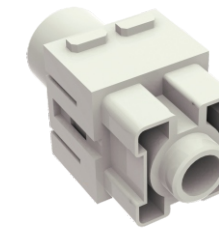
| 16B frame, size 16B hoods/housings | | | | Dimension |
|--|------------------------------------|------------|--------------------------------|--|
|  | Type | Marking | Description |  |
| | DF16B-UA-00A(H) DF16B-LA-00A(H) | A-D a-d | For 4 modules For 4 modules | |

| 24B frame, size 24B hoods/housings | | | | Dimension |
|---|------------------------------------|------------|--------------------------------|---|
|  | Type | Marking | Description |  |
| | DF24B-UA-00A(H) DF24B-LA-00A(H) | A-F a-f | For 6 modules For 6 modules | |

D2MK-001 Axial Module 1000V 200A

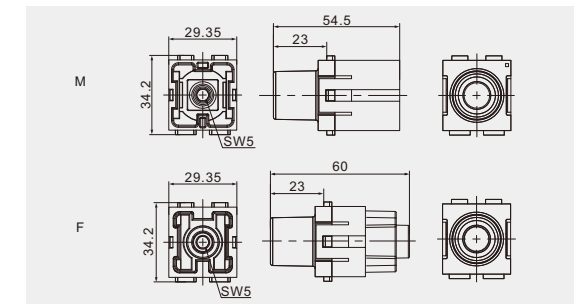


D2MK-001-M(25-40mm²)
D2MK-001-M(40-70mm²)



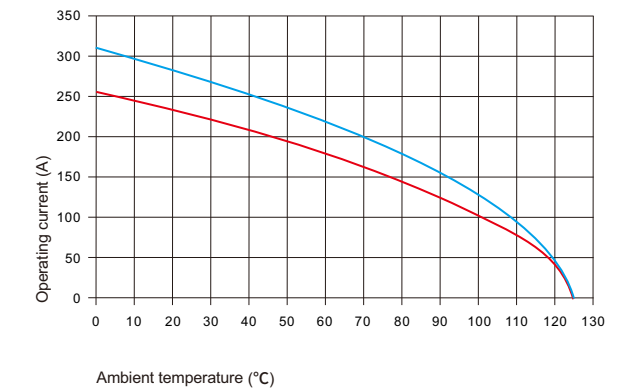
D2MK-001-F(25-40mm²)
D2MK-001-F(40-70mm²)

Dimension and hole site



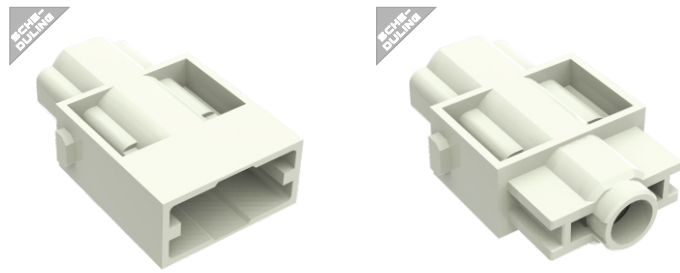
Technical characteristics

| | |
|---------------------------------------|--------------------------------|
| Specifications | DIN EN 60 664 DIN EN 61 984 |
| Inserts | |
| Electrical data acc.to EN 61 984 | |
| Number of contacts | 1 |
| • Rated current | 200A |
| • Rated voltage | 1000V |
| • Rated impulse voltage | 8KV |
| • Pollution degree | 3 |
| Rated voltage acc.to UL | 600V |
| Insulation resistance | ≥ 10 ¹⁰ Ω |
| Material | Polycarbonate |
| Limiting temperatures | -40 °C ~+125 °C |
| Flammability acc.to UL94 | V0 |
| Mechanical working life-mating cycles | ≥ 500 |
| Contacts | |
| Material | Copper alloy |
| Surface | Hard-silver plated |
| Contact resistance | ≤ 0.2m Ω |
| To IEC 60 228 Class 5 | |
| Axial screw terminal | |
| • mm ² | 25-70mm ² |
| • AWG | 2-0 |
| • Hexagonal Driver | SW5 |
| • Stripping length | 16mm |
| • Tightening torque | |
| • mm ² | 25 35 50 70 |
| • Nm | 8 8 9 10 |



Ambient temperature (°C)

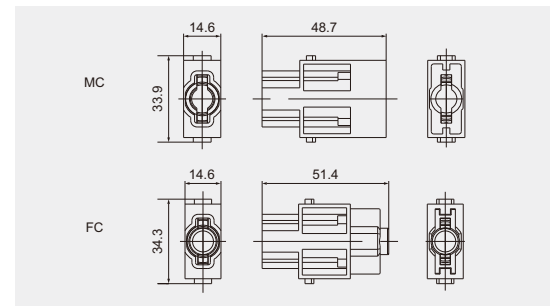
— 24 B hoods/housings with 3 modules, wire gauge:70mm²
— 24 B hoods/housings with 3 modules, wire gauge:50mm²

DMK-001 Crimp Module 830V 100A


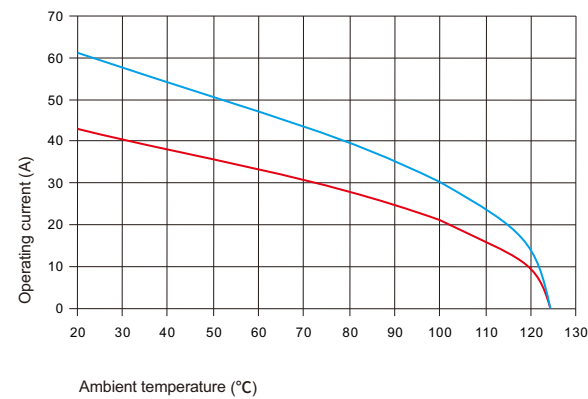
DMK-001-MC

DMK-001-FC

Dimension and hole site


Technical characteristics

| | |
|---------------------------------------|--------------------------------|
| Specifications | DIN EN 60 664 DIN EN 61 984 |
| Inserts | |
| Electrical data acc.to EN 61 984 | |
| Number of contacts | 1 |
| • Rated current | 100A |
| • Rated voltage | 830V |
| • Rated impulse voltage | 8KV |
| • Pollution degree | 3 |
| Insulation resistance | $\geq 10^{10} \Omega$ |
| Material | Polycarbonate |
| Limiting temperatures | -40 °C ~+125 °C |
| Flammability acc.to UL94 | V0 |
| Mechanical working life-mating cycles | ≥ 500 |
| Contacts | |
| Material | Copper alloy |
| Surface | Hard-silver plated |
| Contact resistance | $\leq 0.3m \Omega$ |
| Crimp terminal | |
| • mm ² | 10-35mm ² |
| • AWG | 8-2 |



— 24 B hoods/housings with 6 modules, wire gauge:10mm²
— 24 B hoods/housings with 6 modules, wire gauge:6mm²

Accessories

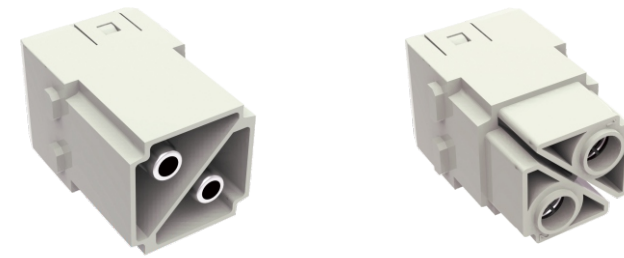
When cold pressing connection is selected, additional stitches are needed, as shown in the attachment below:

(100A) Crimp contacts

- Material: Copper alloy
- Contact resistance $\leq 0.3m\Omega$
- Matching: DM,DK inserts
- Surface: Silver plated
- Terminal: Crimp connection

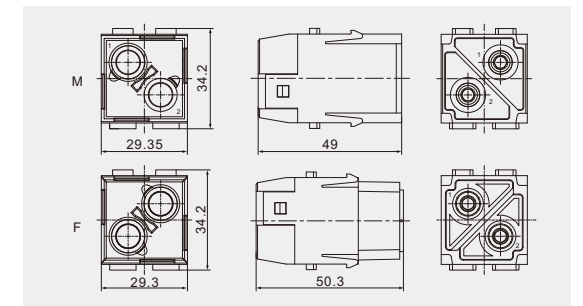


| Contacts, silver-plated | | (ϕA) | Wire gauge | | Recommended stripping length |
|-------------------------|-----------------|------------|--------------------|-------|------------------------------|
| Male Contacts | Female Contacts | | (mm ²) | (AWG) | |
| 100A-SM-10 | 100A-SF-10 | 4.3 | 10 | 8 | 19mm |
| 100A-SM-16 | 100A-SF-16 | 5.5 | 16 | 6 | 19mm |
| 100A-SM-25 | 100A-SF-25 | 7.0 | 25 | 4 | 19mm |
| 100A-SM-35 | 100A-SF-35 | 8.2 | 35 | 2 | 19mm |

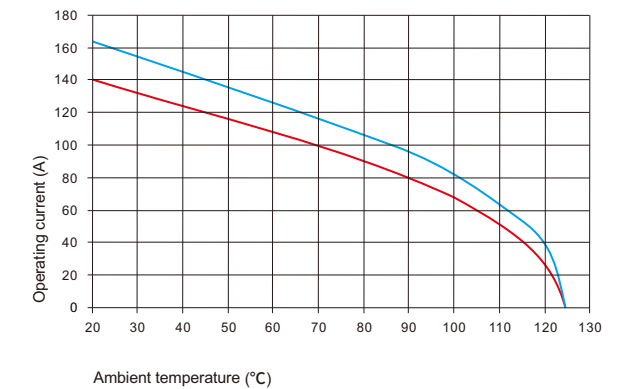
D2MK-002 Axial Module 1000V 100A

 D2MK-002-M(10-25mm²)
D2MK-002-M(16-35mm²)

 D2MK-002-F(10-25mm²)
D2MK-002-F(16-35mm²)

Dimension and hole site

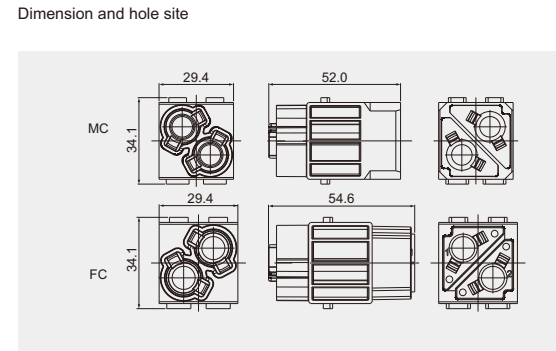
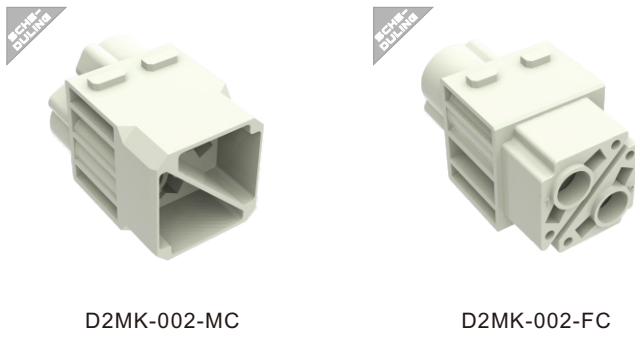

Technical characteristics

| | |
|---------------------------------------|--------------------------------|
| Specifications | DIN EN 60 664 DIN EN 61 984 |
| Inserts | |
| Electrical data acc.to EN 61 984 | |
| Number of contacts | 2 |
| • Rated current | 100A |
| • Rated voltage | 1000V |
| • Rated impulse voltage | 8KV |
| • Pollution degree | 3 |
| Rated voltage acc.to UL | 600V |
| Insulation resistance | $\geq 10^{10} \Omega$ |
| Material | Polycarbonate |
| Limiting temperatures | -40 °C ~+125 °C |
| Flammability acc.to UL94 | V0 |
| Mechanical working life-mating cycles | ≥ 500 |
| Contacts | |
| Material | Copper alloy |
| Surface | Hard-silver plated |
| Contact resistance | $\leq 0.3m \Omega$ |
| To IEC 60 228 Class 5 | |
| Axial screw terminal | |
| • mm ² | 10-35mm ² |
| • AWG | 6-2 |
| • Hexagonal Driver | SW4 |
| • Stripping length | 13mm |
| • Tightening torque | |
| • mm ² | 10 16 25 35 |
| • Nm | 6 6 7 8 |



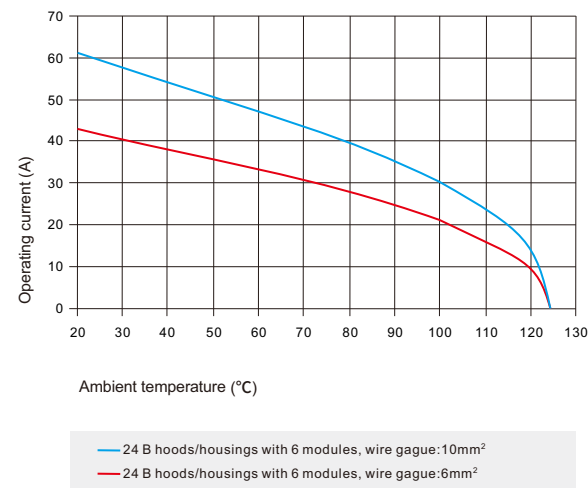
— 24 B hoods/housings with 3 modules, wire gauge:25mm²
— 24 B hoods/housings with 3 modules, wire gauge:35mm²

D2MK-002 Crimp Module 1000V 100A



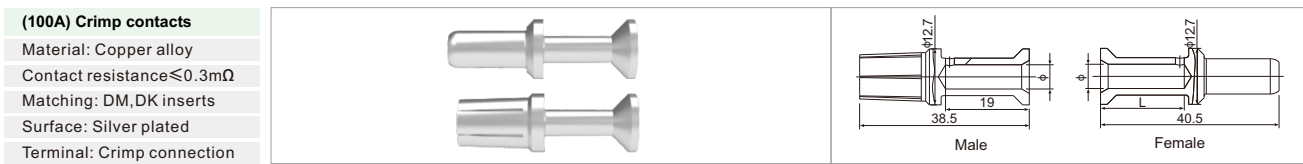
Technical characteristics

| | |
|---------------------------------------|--------------------------------|
| Specifications | DIN EN 60 664 DIN EN 61 984 |
| Inserts | |
| Electrical data acc.to EN 61 984 | |
| Number of contacts | 2 |
| • Rated current | 100A |
| • Rated voltage | 1000V |
| • Rated impulse voltage | 8KV |
| • Pollution degree | 3 |
| Insulation resistance | $\geq 10^{10} \Omega$ |
| Material | Polycarbonate |
| Limiting temperatures | -40 °C ~+125 °C |
| Flammability acc.to UL94 | V0 |
| Mechanical working life-mating cycles | ≥ 500 |
| Contacts | |
| Material | Copper alloy |
| Surface | Hard-silver plated |
| Contact resistance | $\leq 0.3m \Omega$ |
| Crimp terminal | |
| • mm ² | 10-35mm ² |
| • AWG | 8-2 |



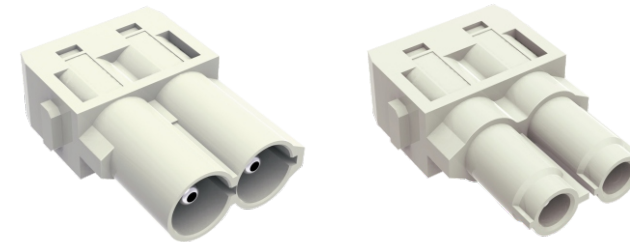
Accessories

When cold pressing connection is selected, additional stitches are needed, as shown in the attachment below:

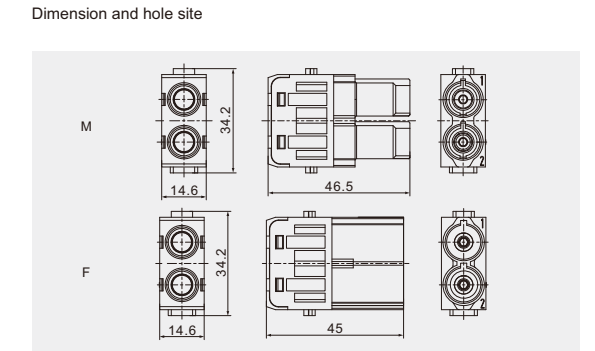


| Contacts, silver-plated | | (ϕA) | Wire gauge | | Recommended stripping length |
|-------------------------|-----------------|------------|--------------------|-------|------------------------------|
| Male Contacts | Female Contacts | | (mm ²) | (AWG) | |
| 100A-SM-10 | 100A-SF-10 | 4.3 | 10 | 8 | 19mm |
| 100A-SM-16 | 100A-SF-16 | 5.5 | 16 | 6 | 19mm |
| 100A-SM-25 | 100A-SF-25 | 7.0 | 25 | 4 | 19mm |
| 100A-SM-35 | 100A-SF-35 | 8.2 | 35 | 2 | 19mm |

DMK7-002 Axial Module 1000V 70A

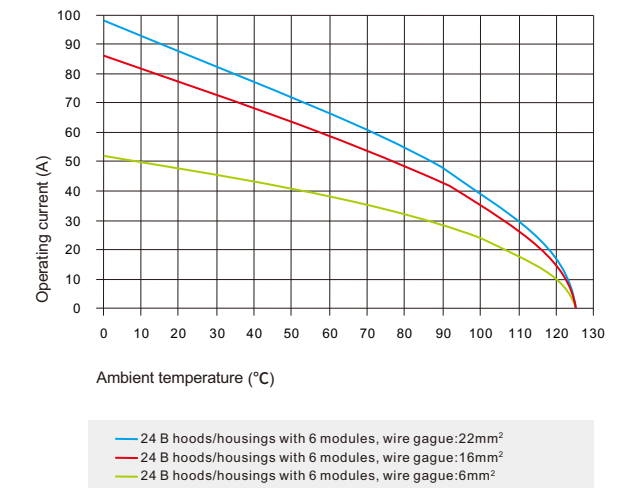


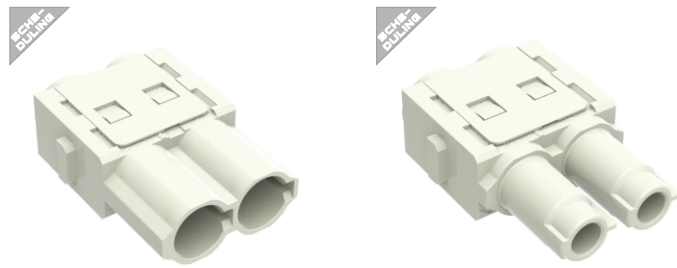
DMK7-002.1-M(6-16mm²)
DMK7-002.2-M(14-22mm²)
DMK7-002.1-F(6-16mm²)
DMK7-002.2-F(14-22mm²)



Technical characteristics

| | |
|---------------------------------------|---|
| Specifications | DIN EN 60 664 DIN EN 61 984 |
| Inserts | |
| Electrical data acc.to EN 61 984 | |
| Number of contacts | 2 |
| • Rated current | 70A |
| • Rated voltage | 1000V |
| • Rated impulse voltage | 8KV |
| • Pollution degree | 3 |
| Rated voltage acc.to UL | 600V |
| Insulation resistance | $\geq 10^{10} \Omega$ |
| Material | Polycarbonate |
| Limiting temperatures | -40 °C ~+125 °C |
| Flammability acc.to UL94 | V0 |
| Mechanical working life-mating cycles | ≥ 500 |
| Contacts | |
| Material | Copper alloy |
| Surface | Hard-silver plated |
| Contact resistance | $\leq 0.5m \Omega$ |
| To IEC 60 228 Class 5 | |
| Axial screw terminal | |
| • mm ² | 6-22mm ² |
| • AWG | 8-4 |
| • Hexagonal Driver | SW2.5 |
| • Stripping length | |
| • mm ² | 6 10 16 22 |
| • mm ² | 11 ⁺¹ 11 ⁺¹ 11 ⁺¹ 12.5 ⁺¹ |
| • Tightening torque | |
| • mm ² | 6 10 16 22 |
| • Nm | 2 3 4 5 |

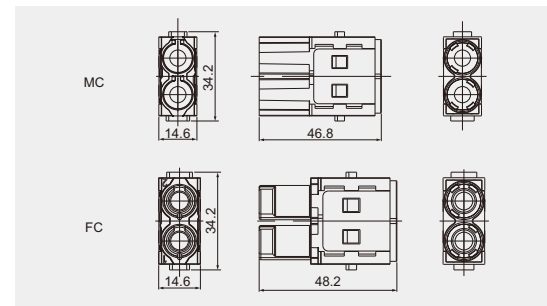


DMK7-002 Crimp Module 1000V 70A


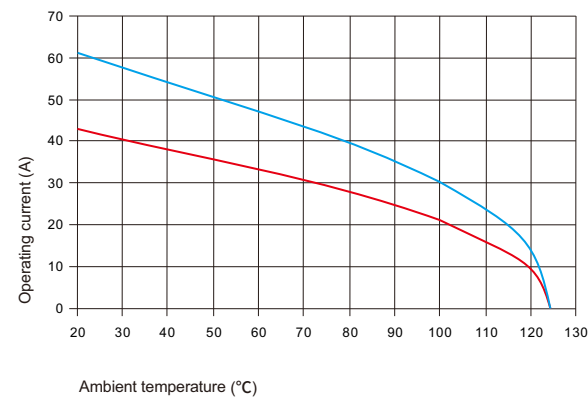
DMK7-002-MC

DMK7-002-FC

Dimension and hole site


Technical characteristics

| | |
|---------------------------------------|--------------------------------|
| Specifications | DIN EN 60 664 DIN EN 61 984 |
| Inserts | |
| Electrical data acc.to EN 61 984 | |
| Number of contacts | 2 |
| • Rated current | 70A |
| • Rated voltage | 1000V |
| • Rated impulse voltage | 8KV |
| • Pollution degree | 3 |
| Insulation resistance | $\geq 10^{10} \Omega$ |
| Material | Polycarbonate |
| Limiting temperatures | -40 °C ~+125 °C |
| Flammability acc.to UL94 | V0 |
| Mechanical working life-mating cycles | ≥ 500 |
| Contacts | |
| Material | Copper alloy |
| Surface | Hard-silver plated |
| Contact resistance | $\leq 0.5m \Omega$ |
| Crimp terminal | |
| • mm ² | 10-25mm ² |
| • AWG | 8-4 |



— 24 B hoods/housings with 6 modules, wire gauge:10mm²
 — 24 B hoods/housings with 6 modules, wire gauge:6mm²

Accessories

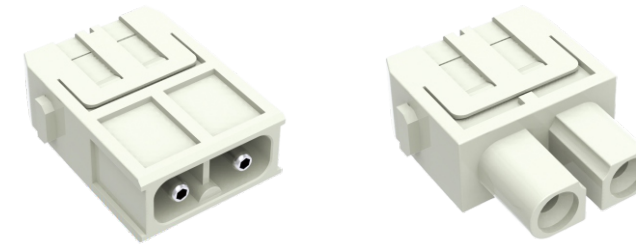
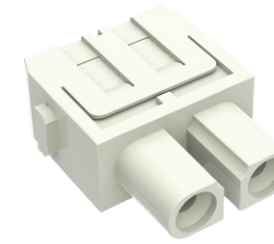
When cold pressing connection is selected, additional stitches are needed, as shown in the attachment below:

(70A) Crimp contacts

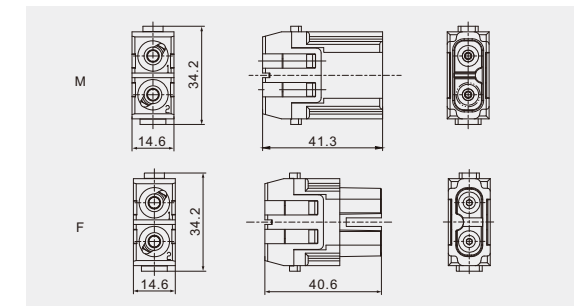
- Material: Copper alloy
- Contact resistance $\leq 0.5m\Omega$
- Matching: DM inserts
- Surface: Silver plated
- Terminal: Crimp connection



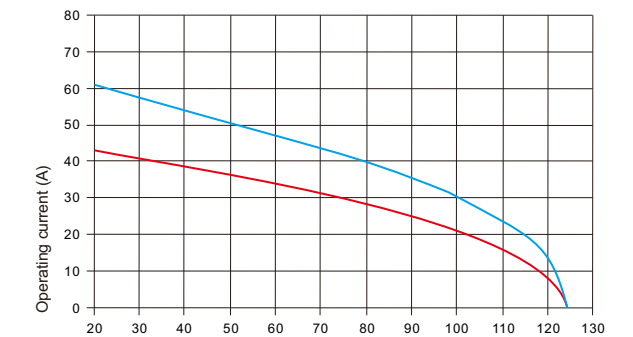
| Contacts, silver-plated | | (ϕA) | Wire gauge | | Recommended stripping length |
|-------------------------|-----------------|------------|--------------------|-------|------------------------------|
| Male Contacts | Female Contacts | | (mm ²) | (AWG) | |
| 70A-SM-10 | 70A-SF-10 | 4.3 | 10 | 8 | 15.5mm |
| 70A-SM-16 | 70A-SF-16 | 5.5 | 16 | 6 | 15.5mm |
| 70A-SM-25 | 70A-SF-25 | 7.0 | 25 | 4 | 15.5mm |

DMK-002 Axial Module 1000V 40A

 DMK-002.1-M(2.5-8mm²)
 DMK-002.2-M(6-10mm²)

 DMK-002.1-F(2.5-8mm²)
 DMK-002.2-F(6-10mm²)

Dimension and hole site

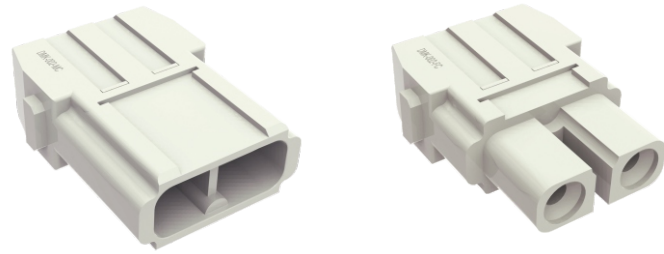

Technical characteristics

| | |
|---------------------------------------|--|
| Specifications | DIN EN 60 664 DIN EN 61 984 |
| Inserts | |
| Electrical data acc.to EN 61 984 | |
| Number of contacts | 2 |
| • Rated current | 40A |
| • Rated voltage | 1000V |
| • Rated impulse voltage | 8KV |
| • Pollution degree | 3 |
| Rated voltage acc.to UL | 600V |
| Insulation resistance | $\geq 10^{10} \Omega$ |
| Material | Polycarbonate |
| Limiting temperatures | -40 °C ~+125 °C |
| Flammability acc.to UL94 | V0 |
| Mechanical working life-mating cycles | ≥ 500 |
| Contacts | |
| Material | Copper alloy |
| Surface | Hard-silver plated |
| Contact resistance | $\leq 0.5m \Omega$ |
| To IEC 60 228 Class 5 | |
| Axial screw terminal | |
| • mm ² | 2.5-10mm ² |
| • AWG | 14-8 |
| • Hexagonal Driver | SW2 |
| • Stripping length | |
| • mm ² | 2.5 4 6 10 |
| • mm ² | 5 ⁺¹ 5 ⁺¹ 8 ⁺¹ 11 ⁺¹ |
| • Tightening torque | |
| • mm ² | 2.5 4 6 10 |
| • Nm | 1.5 1.5 2 2 |



— 24 B hoods/housings with 6 modules, wire gauge:10mm²
 — 24 B hoods/housings with 6 modules, wire gauge:6mm²

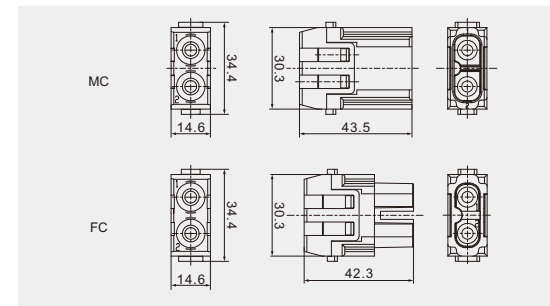
DMK-002 Crimp Module 1000V 40A



DMK-002-MC

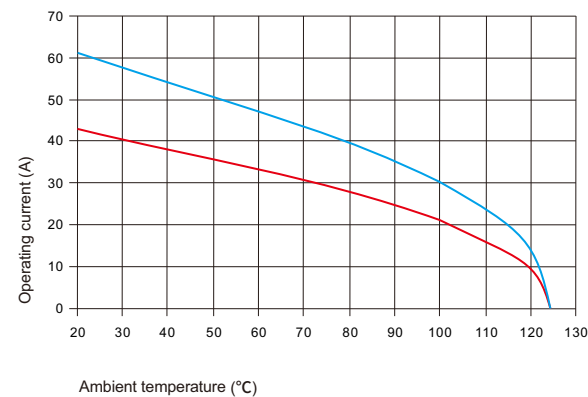
DMK-002-FC

Dimension and hole site



Technical characteristics

| | |
|---------------------------------------|--------------------------------|
| Specifications | DIN EN 60 664 DIN EN 61 984 |
| Inserts | |
| Electrical data acc.to EN 61 984 | |
| Number of contacts | 2 |
| • Rated current | 40A |
| • Rated voltage | 1000V |
| • Rated impulse voltage | 8KV |
| • Pollution degree | 3 |
| Insulation resistance | $\geq 10^{10} \Omega$ |
| Material | Polycarbonate |
| Limiting temperatures | -40 °C ~+125 °C |
| Flammability acc.to UL94 | V0 |
| Mechanical working life-mating cycles | ≥ 500 |
| Contacts | |
| Material | Copper alloy |
| Surface | Hard-silver plated |
| Contact resistance | $\leq 0.3m \Omega$ |
| Crimp terminal | |
| • mm ² | 1.5-10mm ² |
| • AWG | 16-8 |



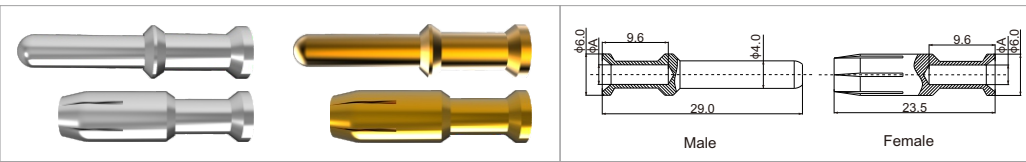
— 24 B hoods/housings with 6 modules, wire gauge:10mm²
— 24 B hoods/housings with 6 modules, wire gauge:6mm²

Accessories

When cold pressing connection is selected, additional stitches are needed, as shown in the attachment below:

(40A) Crimp contacts

Material: Copper alloy
Contact resistance $\leq 0.3m\Omega$
Matching: DM,DK inserts
Surface: Gold/silver plated
Terminal: Crimp connection



| Contacts,silver-plated | | Contacts,gold plated | | (ϕA) | Wire gauge | | Recommended stripping length |
|------------------------|-----------------|----------------------|-----------------|------------|--------------------|-------|------------------------------|
| Male Contacts | Female Contacts | Male Contacts | Female Contacts | | (mm ²) | (AWG) | |
| 40A-SM-1.5 | 40A-SF-1.5 | 40A-GM-1.5 | 40A-GF-1.5 | 1.75 | 1.50 | 16 | 9.0mm |
| 40A-SM-2.5 | 40A-SF-2.5 | 40A-GM-2.5 | 40A-GF-2.5 | 2.25 | 2.50 | 14 | 9.0mm |
| 40A-SM-4.0 | 40A-SF-4.0 | 40A-GM-4.0 | 40A-GF-4.0 | 2.85 | 4.0 | 12 | 9.5mm |
| 40A-SM-6.0 | 40A-SF-6.0 | 40A-GM-6.0 | 40A-GF-6.0 | 3.50 | 6.0 | 10 | 9.5mm |

Tools



Crimping tool

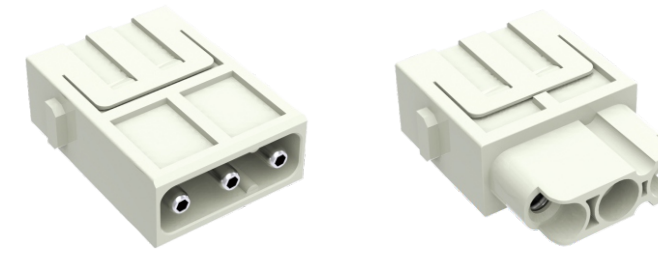
Wire gauge : 0.5~4.0mm² (AWG 20-12)
Type : TL1-4.0



Removal tool

For: 40A 40A Crimp contacts
Type : RT-40A

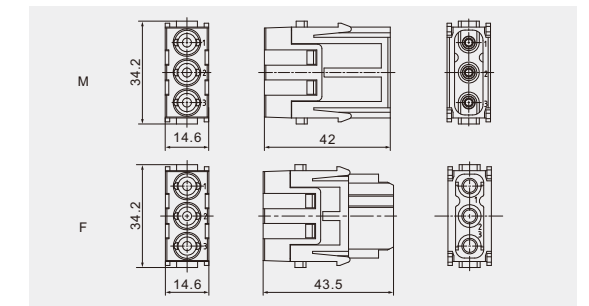
DMK-003 Axial Module 690V 40A



DMK-003.1-M(2.5-8mm²)
DMK-003.2-M(6-10mm²)

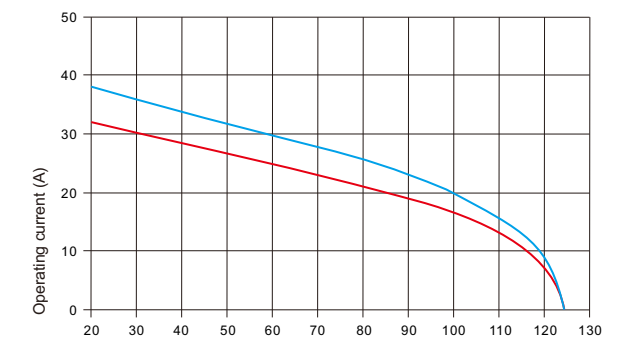
DMK-003.1-F(2.5-8mm²)
DMK-003.2-F(6-10mm²)

Dimension and hole site

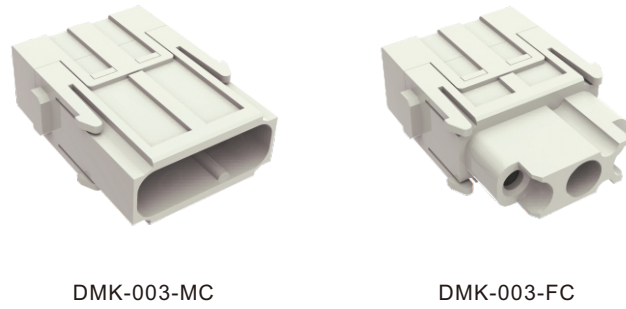


Technical characteristics

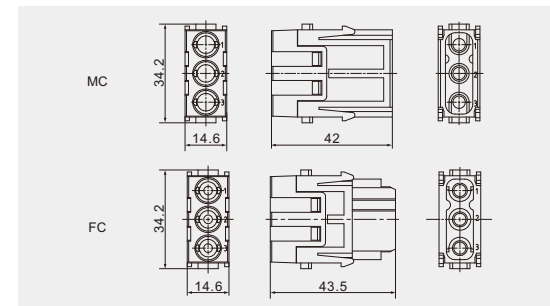
| | |
|---------------------------------------|--|
| Specifications | DIN EN 60 664 DIN EN 61 984 |
| Inserts | |
| Electrical data acc.to EN 61 984 | |
| Number of contacts | 3 |
| • Rated current | 40A |
| • Rated voltage | 690V |
| • Rated impulse voltage | 8KV |
| • Pollution degree | 3 |
| Rated voltage acc.to UL | 600V |
| Insulation resistance | $\geq 10^{10} \Omega$ |
| Material | Polycarbonate |
| Limiting temperatures | -40 °C ~+125 °C |
| Flammability acc.to UL94 | V0 |
| Mechanical working life-mating cycles | ≥ 500 |
| Contacts | |
| Material | Copper alloy |
| Surface | Hard-silver plated |
| Contact resistance | $\leq 0.3m \Omega$ |
| To IEC 60 228 Class 5 | |
| Axial screw terminal | |
| • mm ² | 2.5-10mm ² |
| • AWG | 14-8 |
| • Hexagonal Driver | SW2 |
| • Stripping length | |
| • mm ² | 2.5 4 6 10 |
| • mm ² | 5 ⁺¹ 5 ⁺¹ 8 ⁺¹ 11 ⁺¹ |
| • Tightening torque | |
| • mm ² | 2.5 4 6 10 |
| • Nm | 1.5 1.5 2 2 |



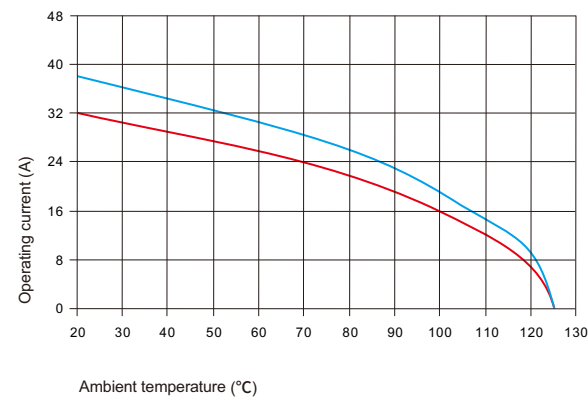
— 24 B hoods/housings with 6 modules, wire gauge:6mm²
— 24 B hoods/housings with 6 modules, wire gauge:4mm²

DMK-003 Crimp Module 500V 40A


Dimension and hole site

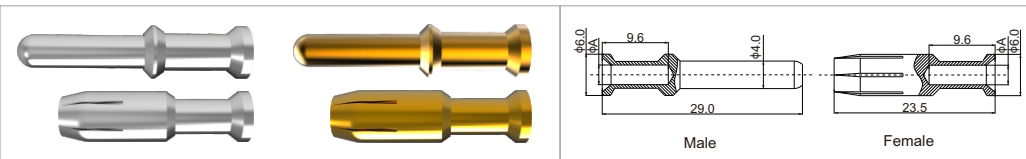

Technical characteristics

| | |
|---------------------------------------|--------------------------------|
| Specifications | DIN EN 60 664 DIN EN 61 984 |
| Inserts | |
| Electrical data acc.to EN 61 984 | |
| Number of contacts | 3 |
| • Rated current | 40A |
| • Rated voltage | 500V |
| • Rated impulse voltage | 6KV |
| • Pollution degree | 3 |
| Rated voltage acc. to UL CSA | 600V |
| Rated current acc. to UL CSA | 32A |
| Insulation resistance | ≥ 10 ¹⁰ Ω |
| Material | Polycarbonate |
| Limiting temperatures | -40 °C ~+125 °C |
| Flammability acc.to UL94 | V0 |
| Mechanical working life-mating cycles | ≥ 500 |
| Contacts | |
| Material | Copper alloy |
| Surface | Hard-silver plated |
| Contact resistance | ≤ 0.3m Ω |
| Crimp terminal | |
| • mm ² | 1.5-10mm ² |
| • AWG | 16-8 |


 — 24 B hoods/housings with 6 modules, wire gauge:6mm²
 — 24 B hoods/housings with 6 modules, wire gauge:4mm²
Accessories

When cold pressing connection is selected, additional stitches are needed, as shown in the attachment below:

(40A) Crimp contacts

 Material: Copper alloy
 Contact resistance ≤ 0.3mΩ
 Matching: DM,DK inserts
 Surface: Gold/silver plated
 Terminal: Crimp connection


| Contacts, silver-plated | | Contacts, gold plated | | (φ A) | Wire gauge | | Recommended stripping length |
|-------------------------|-----------------|-----------------------|-----------------|-------|--------------------|-------|------------------------------|
| Male Contacts | Female Contacts | Male Contacts | Female Contacts | | (mm ²) | (AWG) | |
| 40A-SM-1.5 | 40A-SF-1.5 | 40A-GM-1.5 | 40A-GF-1.5 | 1.75 | 1.50 | 16 | 9.0mm |
| 40A-SM-2.5 | 40A-SF-2.5 | 40A-GM-2.5 | 40A-GF-2.5 | 2.25 | 2.50 | 14 | 9.0mm |
| 40A-SM-4.0 | 40A-SF-4.0 | 40A-GM-4.0 | 40A-GF-4.0 | 2.85 | 4.0 | 12 | 9.5mm |
| 40A-SM-6.0 | 40A-SF-6.0 | 40A-GM-6.0 | 40A-GF-6.0 | 3.50 | 6.0 | 10 | 9.5mm |

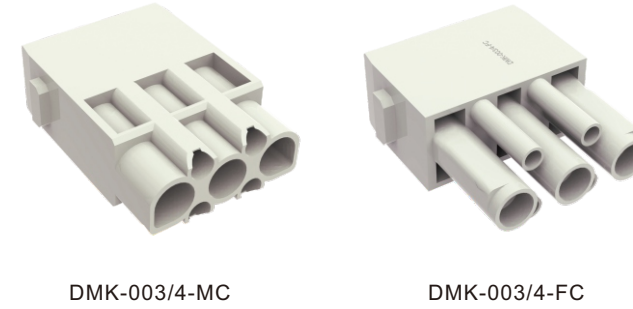
Tools

Crimping tool

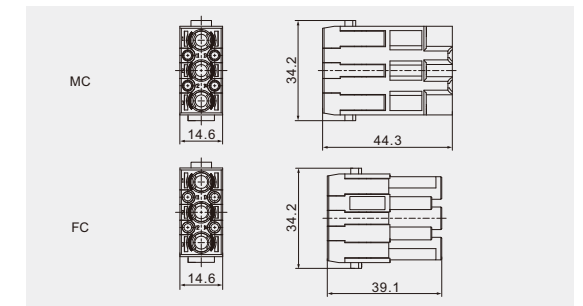
 Wire gauge : 0.5~4.0mm² (AWG 20-12)
 Type : TL1-4.0

Removal tool

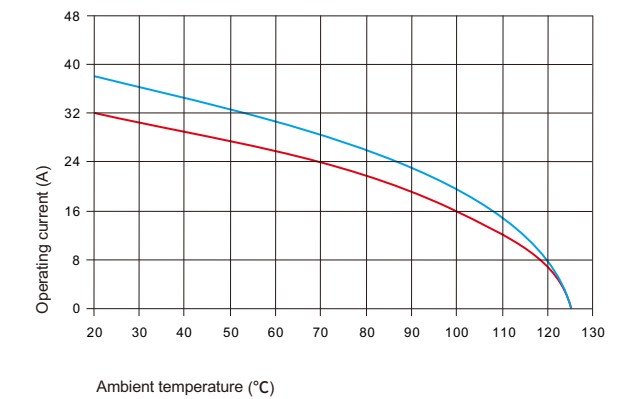
 For: 40A 40A Crimp contacts
 Type : RT-40A

DMK-003/4 Crimp Module 830/830V 40/10A


Dimension and hole site

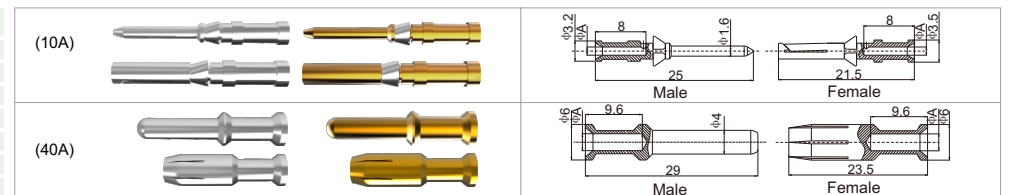

Technical characteristics

| | |
|---------------------------------------|--|
| Specifications | DIN EN 60 664 DIN EN 61 984 |
| Inserts | |
| Electrical data acc.to EN 61 984 | |
| Number of contacts | 3/4 |
| Power Area/Signal Area | |
| • Rated current | 40A/10A |
| • Rated voltage | 830V |
| • Rated impulse voltage | 8KV |
| • Pollution degree | 3 |
| Rated voltage acc. to UL | 600V |
| Insulation resistance | ≥ 10 ¹⁰ Ω |
| Material | Polycarbonate |
| Limiting temperatures | -40 °C ~+125 °C |
| Flammability acc.to UL94 | V0 |
| Mechanical working life-mating cycles | ≥ 500 |
| Contacts | |
| Material | Copper alloy |
| Surface | Hard-silver plated Hard-gold plated |
| Contact resistance | |
| • Power Contacts | ≤ 0.3m Ω |
| • Signal Contacts | ≤ 3m Ω |
| Crimp termina | |
| • mm ² /AWG | |
| • Power Contacts | 1.5-6mm ² /16-10 |
| • Signal Contacts | 0.14-2.5mm ² /26-14 |
| Max.insulation diameter | |
| • Power Contacts | 5mm |


 — 24 B hoods/housings with 6 modules, wire gauge:6mm²
 — 24 B hoods/housings with 6 modules, wire gauge:4mm²
Accessories

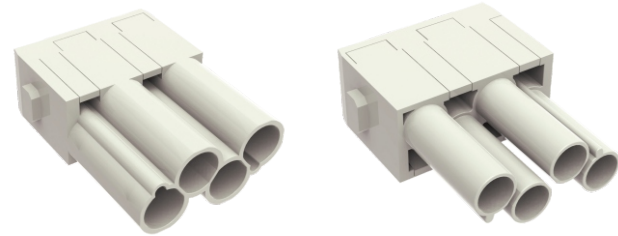
When cold pressing connection is selected, additional stitches are needed, as shown in the attachment below:

(10A/40A) Crimp contacts

 Material: Copper alloy
 Contact resistance ≤ 3m Ω
 Matching: DD,DDD,DM,DK,DQ inserts
 Contact resistance ≤ 3m Ω
 Matching: DM,DK inserts
 Surface: Gold/silver plated
 Terminal: Crimp connection


| Contacts, silver-plated | | Contacts, gold plated | | (φ A) | Wire gauge | | Recommended stripping length | | | | |
|-------------------------|-----------------|-----------------------|-----------------|-------|------------------------|-----------|------------------------------|-------|-----|-----|-------|
| Male Contacts | Female Contacts | Male Contacts | Female Contacts | | 10A (mm ²) | 10A(AWG) | 40A(AWG) | 10A | 40A | | |
| 10A-SM-0.37 | 10A-SF-0.37 | 10A-GM-0.37 | 10A-GF-0.37 | 0.9 | -- | 0.14-0.37 | -- | 26-22 | -- | 8mm | -- |
| 10A-SM-0.5 | 10A-SF-0.5 | 10A-GM-0.5 | 10A-GF-0.5 | 1.1 | -- | 0.50 | -- | 20 | -- | 8mm | -- |
| 10A-SM-0.75 | 10A-SF-0.75 | 10A-GM-0.75 | 10A-GF-0.75 | 1.3 | -- | 0.75 | -- | 18 | -- | 8mm | -- |
| 10A-SM-1.0 | 10A-SF-1.0 | 10A-GM-1.0 | 10A-GF-1.0 | 1.45 | -- | 1.00 | -- | 18 | -- | 8mm | -- |
| 10A/40A-SM-1.5 | 10A/40A-SF-1.5 | 10A/40A-GM-1.5 | 10A/40A-GF-1.5 | 1.75 | 1.75 | 1.50 | 1.50 | 16 | 16 | 8mm | 9.0mm |
| 10A/40A-SM-2.5 | 10A/40A-SF-2.5 | 10A/40A-GM-2.5 | 10A/40A-GF-2.5 | 2.25 | 2.25 | 2.50 | 2.50 | 14 | 14 | 6mm | 9.0mm |
| 40A-SM-4.0 | 40A-SF-4.0 | 40A-GM-4.0 | 40A-GF-4.0 | -- | 2.85 | -- | 4.0 | -- | 12 | -- | 9.5mm |
| 40A-SM-6.0 | 40A-SF-6.0 | 40A-GM-6.0 | 40A-GF-6.0 | -- | 3.50 | -- | 6.0 | -- | 10 | -- | 9.5mm |

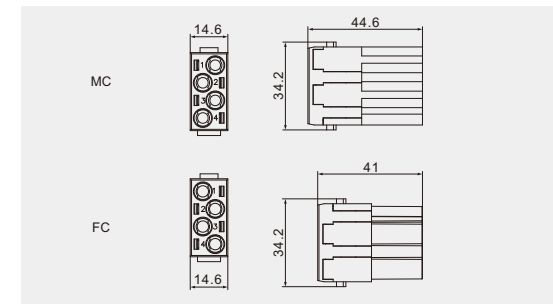
DMK-004 Crimp Module 830V 40A



DMK-004-MC

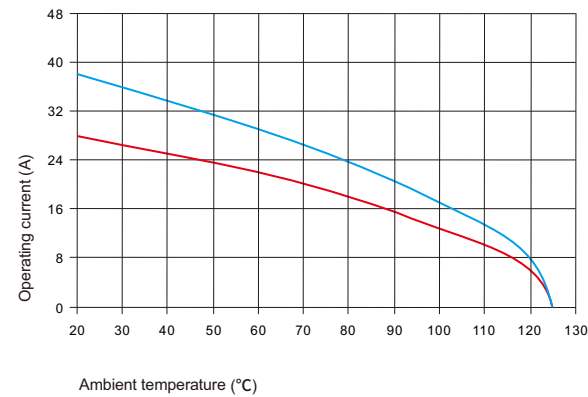
DMK-004-FC

Dimension and hole site



Technical characteristics

| | |
|---------------------------------------|--------------------------------|
| Specifications | DIN EN 60 664 DIN EN 61 984 |
| Inserts | |
| Electrical data acc.to EN 61 984 | |
| Number of contacts | 4 |
| • Rated current | 40A |
| • Rated voltage | 830V |
| • Rated impulse voltage | 8KV |
| • Pollution degree | 3 |
| Rated voltage acc. to UL | 600V |
| Insulation resistance | $\geq 10^{10} \Omega$ |
| Material | Polycarbonate |
| Limiting temperatures | -40 °C ~+125 °C |
| Flammability acc.to UL94 | V0 |
| Mechanical working life-mating cycles | ≥ 500 |
| Contacts | |
| Material | Copper alloy |
| Surface | Hard-silver plated |
| Contact resistance | $\leq 0.3m \Omega$ |
| Crimp terminal | |
| • mm ² | 1.5-6mm ² |
| • AWG | 16-10 |



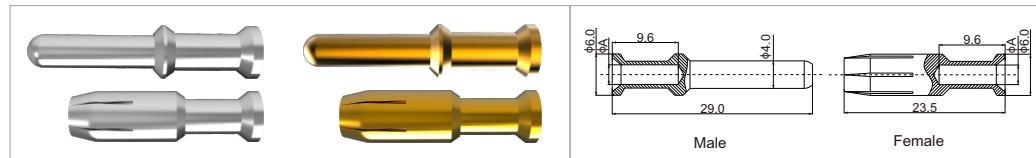
— 24 B hoods/housings with 6 modules, wire gauge:6mm²
— 24 B hoods/housings with 6 modules, wire gauge:4mm²

Accessories

When cold pressing connection is selected, additional stitches are needed, as shown in the attachment below:

(40A) Crimp contacts

- Material: Copper alloy
- Contact resistance $\leq 0.3m\Omega$
- Matching: DM,DK inserts
- Surface: Gold/silver plated
- Terminal: Crimp connection



| Contacts, silver-plated | | Contacts, gold plated | | (ϕA) | Wire gauge | | Recommended stripping length |
|-------------------------|-----------------|-----------------------|-----------------|------------|--------------------|-------|------------------------------|
| Male Contacts | Female Contacts | Male Contacts | Female Contacts | | (mm ²) | (AWG) | |
| 40A-SM-1.5 | 40A-SF-1.5 | 40A-GM-1.5 | 40A-GF-1.5 | 1.75 | 1.50 | 16 | 9.0mm |
| 40A-SM-2.5 | 40A-SF-2.5 | 40A-GM-2.5 | 40A-GF-2.5 | 2.25 | 2.50 | 14 | 9.0mm |
| 40A-SM-4.0 | 40A-SF-4.0 | 40A-GM-4.0 | 40A-GF-4.0 | 2.85 | 4.0 | 12 | 9.5mm |
| 40A-SM-6.0 | 40A-SF-6.0 | 40A-GM-6.0 | 40A-GF-6.0 | 3.50 | 6.0 | 10 | 9.5mm |

Tools



Crimping tool

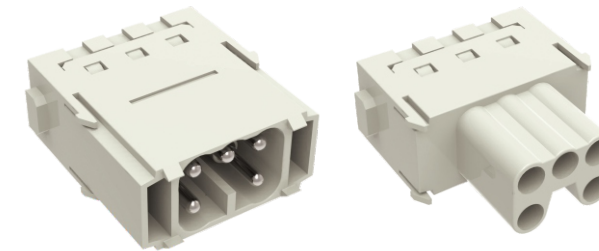
Wire gauge : 0.5~4.0mm² (AWG 20-12)
Type : TL1-4.0



Removal tool

For: 40A 40A Crimp contacts
Type : RT-40A

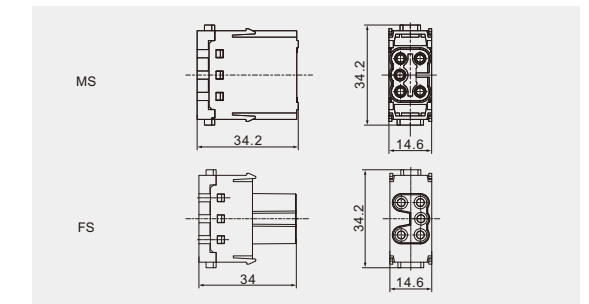
DME-005 Cage-clamp Module 400V 16A



DME-005-MS

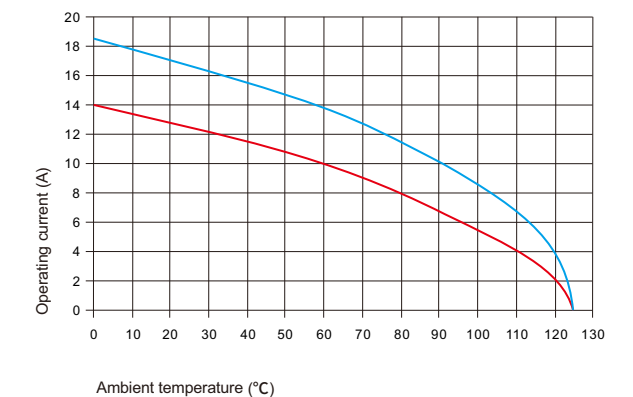
DME-005-FS

Dimension and hole site



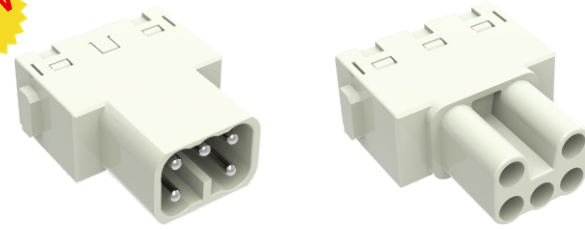
Technical characteristics

| | |
|---------------------------------------|--------------------------------|
| Specifications | DIN EN 60 664 DIN EN 61 984 |
| Inserts | |
| Electrical data acc.to EN 61 984 | |
| Number of contacts | 5 |
| • Rated current | 16A |
| • Rated voltage | 400V |
| • Rated impulse voltage | 6KV |
| • Pollution degree | 3 |
| Rated voltage acc. to UL CSA | 600V |
| Insulation resistance | $\geq 10^{10} \Omega$ |
| Material | Polycarbonate |
| Limiting temperatures | -40 °C ~+125 °C |
| Flammability acc.to UL94 | V0 |
| Mechanical working life-mating cycles | ≥ 500 |
| Contacts | |
| Material | Copper alloy |
| Surface | Hard-silver plated |
| Contact resistance | $\leq 3m \Omega$ |
| Spring-cage terminal | |
| • mm ² | 0.14-2.5mm ² |
| • AWG | 26-14 |



— 24 B hoods/housings with 6 modules, wire gauge:2.5mm²
— 24 B hoods/housings with 6 modules, wire gauge:1.5mm²

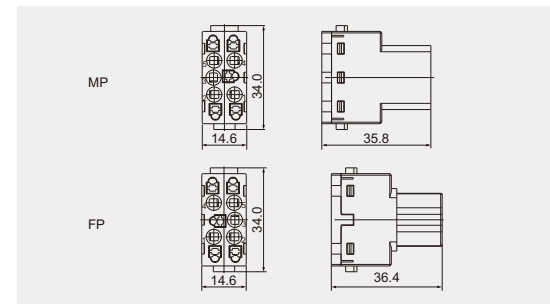
DME-005 Push-in Module 400V 16A



DME-005-MP-Z1-00A(H)

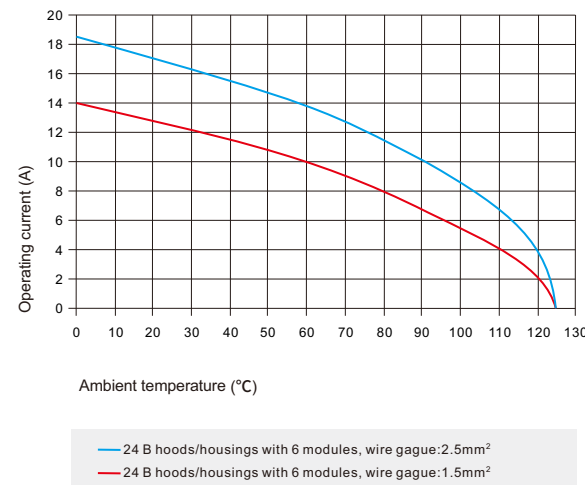
DME-005-FP-Z1-00A(H)

Dimension and hole site

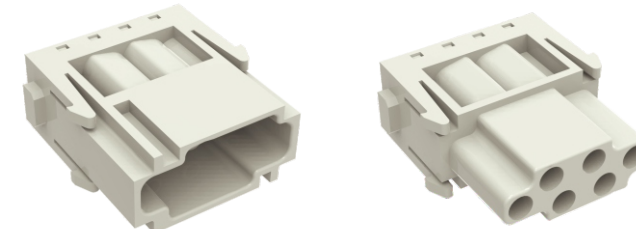


Technical characteristics

| | |
|---------------------------------------|--------------------------------|
| Specifications | DIN EN 60 664 DIN EN 61 984 |
| Inserts | |
| Electrical data acc.to EN 61 984 | |
| Number of contacts | 5 |
| • Rated current | 16A |
| • Rated voltage | 400V |
| • Rated impulse voltage | 6KV |
| • Pollution degree | 3 |
| Rated voltage acc. to UL CSA | 600V |
| Insulation resistance | ≥ 10 ¹⁰ Ω |
| Material | Polycarbonate |
| Limiting temperatures | -40 °C ~+125 °C |
| Flammability acc.to UL94 | V0 |
| Mechanical working life-mating cycles | ≥ 500 |
| Contacts | |
| Material | Copper alloy |
| Surface | Hard-silver plated |
| Contact resistance | ≤ 3m Ω |
| Push-in terminal | |
| • mm ² | 0.5-2.5mm ² |
| • AWG | 20-14 |



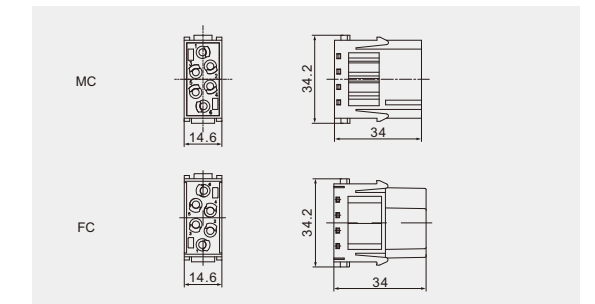
DME-006 Crimp Module 500V 16A



DME-006-MC

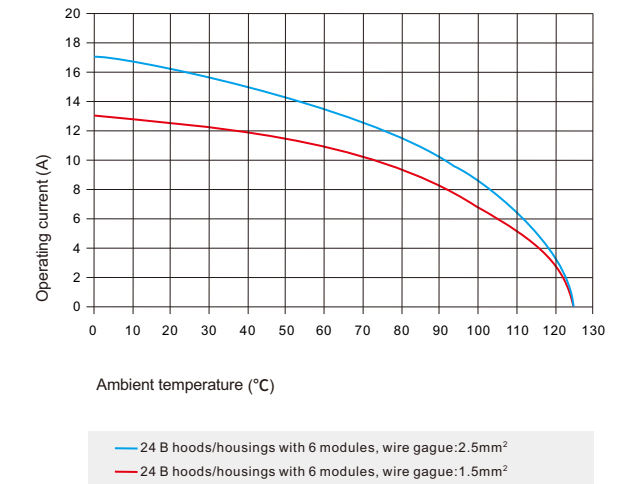
DME-006-FC

Dimension and hole site



Technical characteristics

| | |
|---------------------------------------|--------------------------------|
| Specifications | DIN EN 60 664 DIN EN 61 984 |
| Inserts | |
| Electrical data acc.to EN 61 984 | |
| Number of contacts | 6 |
| • Rated current | 16A |
| • Rated voltage | 500V |
| • Rated impulse voltage | 6KV |
| • Pollution degree | 3 |
| Rated voltage acc. to UL CSA | 600V |
| Insulation resistance | ≥ 10 ¹⁰ Ω |
| Material | Polycarbonate |
| Limiting temperatures | -40 °C ~+125 °C |
| Flammability acc.to UL94 | V0 |
| Mechanical working life-mating cycles | ≥ 500 |
| Contacts | |
| Material | Copper alloy |
| Surface | Hard-silver plated |
| Contact resistance | ≤ 1m Ω |
| Crimp terminal | |
| • mm ² /AWG | 0.14-4mm ² /26-12 |

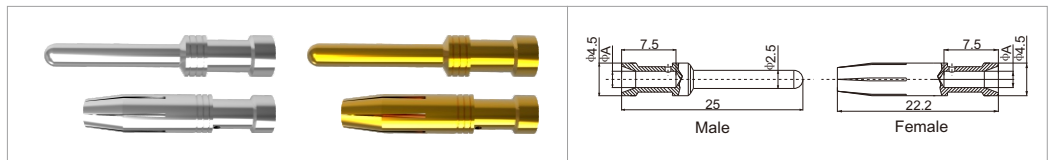


Accessories

When cold pressing connection is selected, additional stitches are needed, as shown in the attachment below:

(16A) Crimp contacts

- Material: Copper alloy
- Contact resistance ≤ 1mΩ
- Matching: DA, DE, DDE, DM, DK inserts
- Surface: Gold/silver plated
- Terminal: Crimp connection



| Contacts, silver-plated | | Contacts, gold plated | | (φ A) | Wire gauge | | Recommended stripping length |
|-------------------------|-----------------|-----------------------|-----------------|-------|--------------------|-------|------------------------------|
| Male Contacts | Female Contacts | Male Contacts | Female Contacts | | (mm ²) | (AWG) | |
| 16A-SM-0.37 | 16A-SF-0.37 | 16A-GM-0.37 | 16A-GF-0.37 | 0.9 | 0.14-0.37 | 26-22 | 7.5mm |
| 16A-SM-0.5 | 16A-SF-0.5 | 16A-GM-0.5 | 16A-GF-0.5 | 1.1 | 0.50 | 20 | 7.5mm |
| 16A-SM-0.75 | 16A-SF-0.75 | 16A-GM-0.75 | 16A-GF-0.75 | 1.3 | 0.75 | 18 | 7.5mm |
| 16A-SM-1.0 | 16A-SF-1.0 | 16A-GM-1.0 | 16A-GF-1.0 | 1.45 | 1.00 | 18 | 7.5mm |
| 16A-SM-1.5 | 16A-SF-1.5 | 16A-GM-1.5 | 16A-GF-1.5 | 1.75 | 1.50 | 16 | 7.5mm |
| 16A-SM-2.5 | 16A-SF-2.5 | 16A-GM-2.5 | 16A-GF-2.5 | 2.25 | 2.50 | 14 | 7.5mm |
| 16A-SM-4.0 | 16A-SF-4.0 | 16A-GM-4.0 | 16A-GF-4.0 | 2.85 | 4.00 | 12 | 7.5mm |

Tools



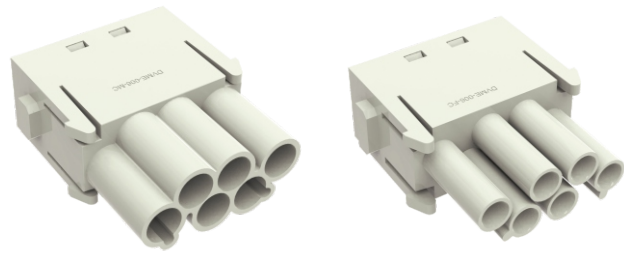
Crimping tool

Wire gauge : 0.5~4.0mm² (AWG 20-12)
Type : TL1-4.0



Removal tool

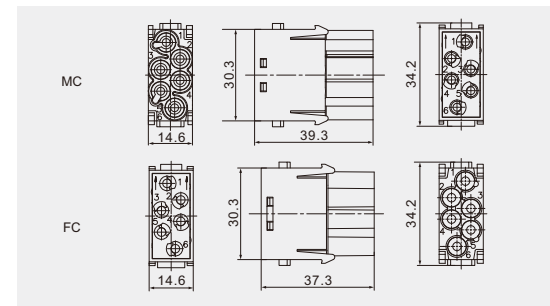
For: 16A 16A Crimp contacts
Type : RT-16A

DVME-006 Crimp Module 500V 16A


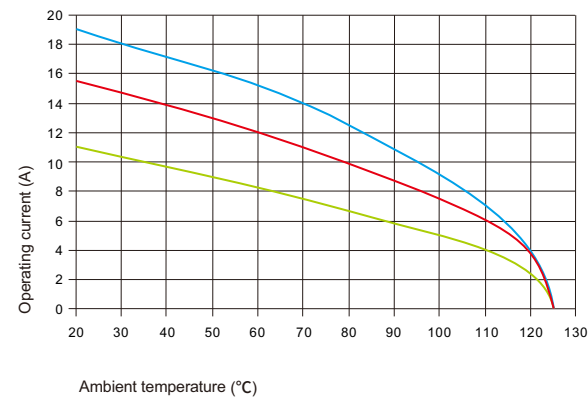
DVME-006-MC

DVME-006-FC

Dimension and hole site


Technical characteristics

| | |
|---------------------------------------|--------------------------------|
| Specifications | DIN EN 60 664 DIN EN 61 984 |
| Inserts | |
| Electrical data acc.to EN 61 984 | |
| Number of contacts | 6 |
| • Rated current | 16A |
| • Rated voltage | 830V |
| • Rated impulse voltage | 8KV |
| • Pollution degree | 3 |
| Rated voltage acc. to UL | 600V |
| Insulation resistance | $\geq 10^{10} \Omega$ |
| Material | Polycarbonate |
| Limiting temperatures | -40 °C ~+125 °C |
| Flammability acc.to UL94 | V0 |
| Mechanical working life-mating cycles | ≥ 500 |
| Contacts | |
| Material | Copper alloy |
| Surface | Hard-silver/gold plated |
| Contact resistance | $\leq 1m \Omega$ |
| Crimp terminal | |
| • mm ² /AWG | 0.14-4mm ² /26-12 |



— 24 B hoods/housings with 6 modules, wire gauge:4.0mm²
 — 24 B hoods/housings with 6 modules, wire gauge:2.5mm²
 — 24 B hoods/housings with 6 modules, wire gauge:1.5mm²

Accessories

When cold pressing connection is selected, additional stitches are needed, as shown in the attachment below:

(16A) Crimp contacts

Material: Copper alloy
 Contact resistance $\leq 1m \Omega$
 Matching: DA, DE, DEE, DM, DK inserts
 Surface: Gold/silver plated
 Terminal: Crimp connection



| Contacts, silver-plated | | Contacts, gold plated | | (ϕA) | Wire gauge | | Recommended stripping length |
|-------------------------|-----------------|-----------------------|-----------------|------------|--------------------|-------|------------------------------|
| Male Contacts | Female Contacts | Male Contacts | Female Contacts | | (mm ²) | (AWG) | |
| 16A-SM-0.37 | 16A-SF-0.37 | 16A-GM-0.37 | 16A-GF-0.37 | 0.9 | 0.14-0.37 | 26-22 | 7.5mm |
| 16A-SM-0.5 | 16A-SF-0.5 | 16A-GM-0.5 | 16A-GF-0.5 | 1.1 | 0.50 | 20 | 7.5mm |
| 16A-SM-0.75 | 16A-SF-0.75 | 16A-GM-0.75 | 16A-GF-0.75 | 1.3 | 0.75 | 18 | 7.5mm |
| 16A-SM-1.0 | 16A-SF-1.0 | 16A-GM-1.0 | 16A-GF-1.0 | 1.45 | 1.00 | 18 | 7.5mm |
| 16A-SM-1.5 | 16A-SF-1.5 | 16A-GM-1.5 | 16A-GF-1.5 | 1.75 | 1.50 | 16 | 7.5mm |
| 16A-SM-2.5 | 16A-SF-2.5 | 16A-GM-2.5 | 16A-GF-2.5 | 2.25 | 2.50 | 14 | 7.5mm |
| 16A-SM-4.0 | 16A-SF-4.0 | 16A-GM-4.0 | 16A-GF-4.0 | 2.85 | 4.00 | 12 | 7.5mm |

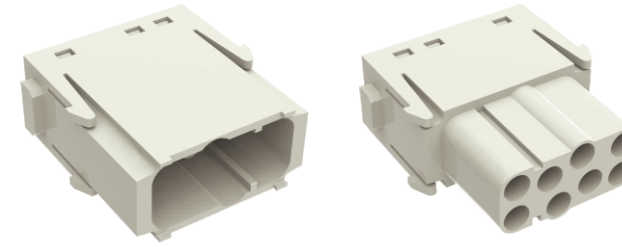
Tools

Crimping tool

Wire gauge : 0.5~4.0mm² (AWG 20-12)
 Type : TL1-4.0

Removal tool

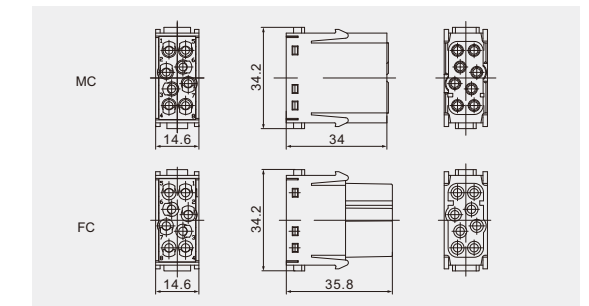
For: 16A 冷压针 16A Crimp contacts
 Type : RT-16A

DMEE-008 Crimp Module 400V 16A


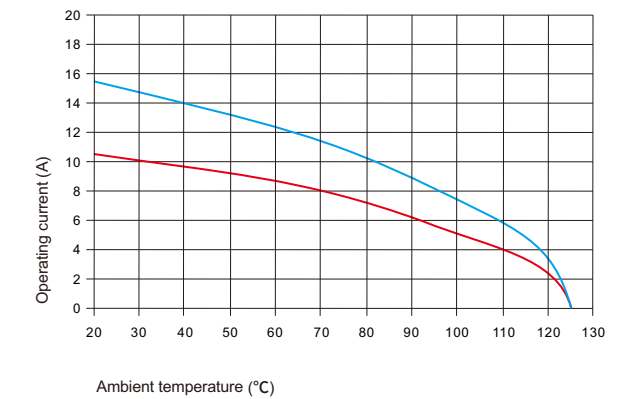
DMEE-008-MC

DMEE-008-FC

Dimension and hole site


Technical characteristics

| | |
|---------------------------------------|--------------------------------|
| Specifications | DIN EN 60 664 DIN EN 61 984 |
| Inserts | |
| Electrical data acc.to EN 61 984 | |
| Number of contacts | 8 |
| • Rated current | 16A |
| • Rated voltage | 400V |
| • Rated impulse voltage | 6KV |
| • Pollution degree | 3 |
| Rated voltage acc. to UL CSA | 600V |
| Insulation resistance | $\geq 10^{10} \Omega$ |
| Material | Polycarbonate |
| Limiting temperatures | -40 °C ~+125 °C |
| Flammability acc.to UL94 | V0 |
| Mechanical working life-mating cycles | ≥ 500 |
| Contacts | |
| Material | Copper alloy |
| Surface | Hard-silver/gold plated |
| Contact resistance | $\leq 1m \Omega$ |
| Crimp terminal | |
| • mm ² /AWG | 0.14-4mm ² /26-12 |



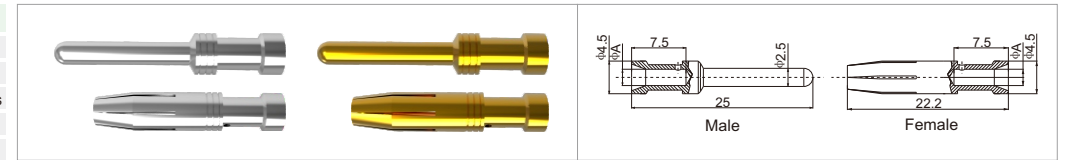
— 24 B hoods/housings with 6 modules, wire gauge:2.5mm²
 — 24 B hoods/housings with 6 modules, wire gauge:1.5mm²

Accessories

When cold pressing connection is selected, additional stitches are needed, as shown in the attachment below:

(16A) Crimp contacts

Material: Copper alloy
 Contact resistance $\leq 1m \Omega$
 Matching: DA, DE, DEE, DM, DK inserts
 Surface: Gold/silver plated
 Terminal: Crimp connection



| Contacts, silver-plated | | Contacts, gold plated | | (ϕA) | Wire gauge | | Recommended stripping length |
|-------------------------|-----------------|-----------------------|-----------------|------------|--------------------|-------|------------------------------|
| Male Contacts | Female Contacts | Male Contacts | Female Contacts | | (mm ²) | (AWG) | |
| 16A-SM-0.37 | 16A-SF-0.37 | 16A-GM-0.37 | 16A-GF-0.37 | 0.9 | 0.14-0.37 | 26-22 | 7.5mm |
| 16A-SM-0.5 | 16A-SF-0.5 | 16A-GM-0.5 | 16A-GF-0.5 | 1.1 | 0.50 | 20 | 7.5mm |
| 16A-SM-0.75 | 16A-SF-0.75 | 16A-GM-0.75 | 16A-GF-0.75 | 1.3 | 0.75 | 18 | 7.5mm |
| 16A-SM-1.0 | 16A-SF-1.0 | 16A-GM-1.0 | 16A-GF-1.0 | 1.45 | 1.00 | 18 | 7.5mm |
| 16A-SM-1.5 | 16A-SF-1.5 | 16A-GM-1.5 | 16A-GF-1.5 | 1.75 | 1.50 | 16 | 7.5mm |
| 16A-SM-2.5 | 16A-SF-2.5 | 16A-GM-2.5 | 16A-GF-2.5 | 2.25 | 2.50 | 14 | 7.5mm |
| 16A-SM-4.0 | 16A-SF-4.0 | 16A-GM-4.0 | 16A-GF-4.0 | 2.85 | 4.00 | 12 | 7.5mm |

Tools

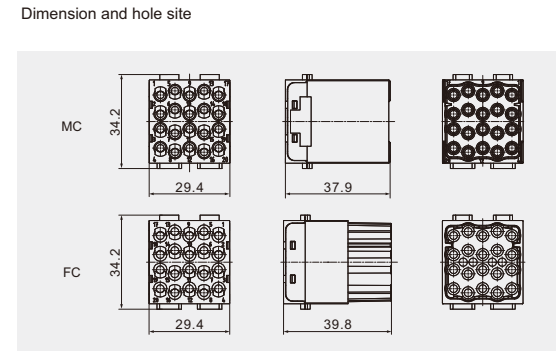
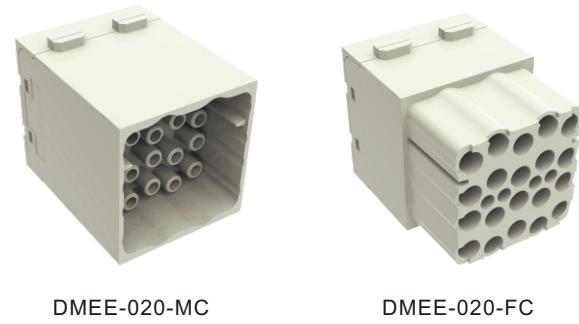
Crimping tool

Wire gauge : 0.5~4.0mm² (AWG 20-12)
 Type : TL1-4.0

Removal tool

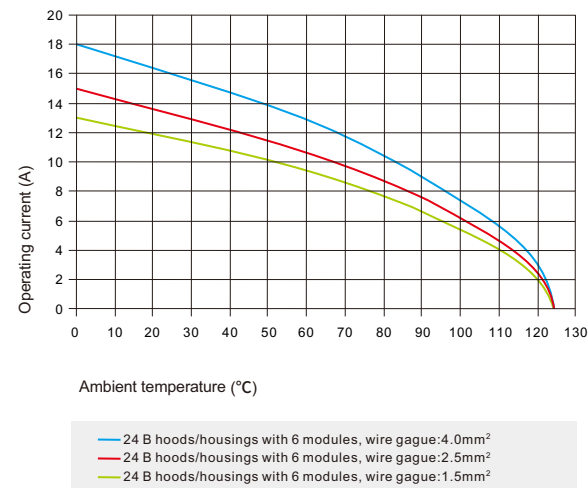
For: 16A 16A Crimp contacts
 Type : RT-16A

DMEE-020 Crimp Module 500V 16A



Technical characteristics

| | |
|---------------------------------------|--------------------------------|
| Specifications | DIN EN 60 664 DIN EN 61 984 |
| Inserts | |
| Electrical data acc.to EN 61 984 | |
| Number of contacts | 20 |
| • Rated current | 16A |
| • Rated voltage | 500V |
| • Rated impulse voltage | 6KV |
| • Pollution degree | 3 |
| Rated voltage acc. to UL | 600V |
| Insulation resistance | ≥ 10 ¹⁰ Ω |
| Material | Polycarbonate |
| Limiting temperatures | -40 °C ~+125 °C |
| Flammability acc.to UL94 | V0 |
| Mechanical working life-mating cycles | ≥ 500 |
| Contacts | |
| Material | Copper alloy |
| Surface | Hard-silver/gold plated |
| Contact resistance | ≤ 1m Ω |
| Crimp terminal | |
| • mm ² /AWG | 0.14-4mm ² /26-12 |



Accessories

When cold pressing connection is selected, additional stitches are needed, as shown in the attachment below:

(16A) Crimp contacts
 Material: Copper alloy
 Contact resistance ≤ 1mΩ
 Matching: DA, DE, DEE, DM, DK inserts
 Surface: Gold/silver plated
 Terminal: Crimp connection



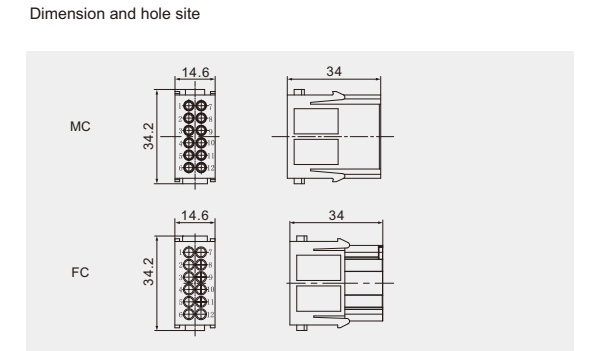
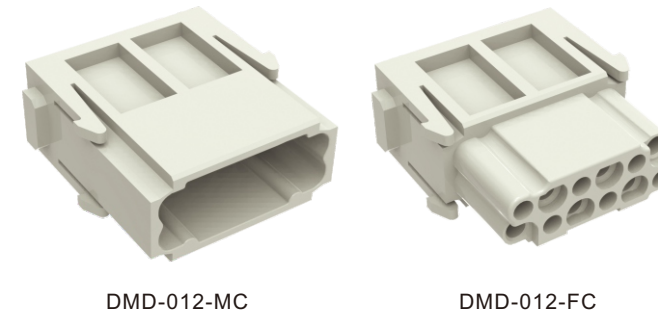
| Contacts, silver-plated | | Contacts, gold plated | | φ (A) | Wire gauge | | Recommended stripping length |
|-------------------------|-----------------|-----------------------|-----------------|-------|--------------------|-------|------------------------------|
| Male Contacts | Female Contacts | Male Contacts | Female Contacts | | (mm ²) | (AWG) | |
| 16A-SM-0.37 | 16A-SF-0.37 | 16A-GM-0.37 | 16A-GF-0.37 | 0.9 | 0.14-0.37 | 26-22 | 7.5mm |
| 16A-SM-0.5 | 16A-SF-0.5 | 16A-GM-0.5 | 16A-GF-0.5 | 1.1 | 0.50 | 20 | 7.5mm |
| 16A-SM-0.75 | 16A-SF-0.75 | 16A-GM-0.75 | 16A-GF-0.75 | 1.3 | 0.75 | 18 | 7.5mm |
| 16A-SM-1.0 | 16A-SF-1.0 | 16A-GM-1.0 | 16A-GF-1.0 | 1.45 | 1.00 | 18 | 7.5mm |
| 16A-SM-1.5 | 16A-SF-1.5 | 16A-GM-1.5 | 16A-GF-1.5 | 1.75 | 1.50 | 16 | 7.5mm |
| 16A-SM-2.5 | 16A-SF-2.5 | 16A-GM-2.5 | 16A-GF-2.5 | 2.25 | 2.50 | 14 | 7.5mm |
| 16A-SM-4.0 | 16A-SF-4.0 | 16A-GM-4.0 | 16A-GF-4.0 | 2.85 | 4.00 | 12 | 7.5mm |

Tools



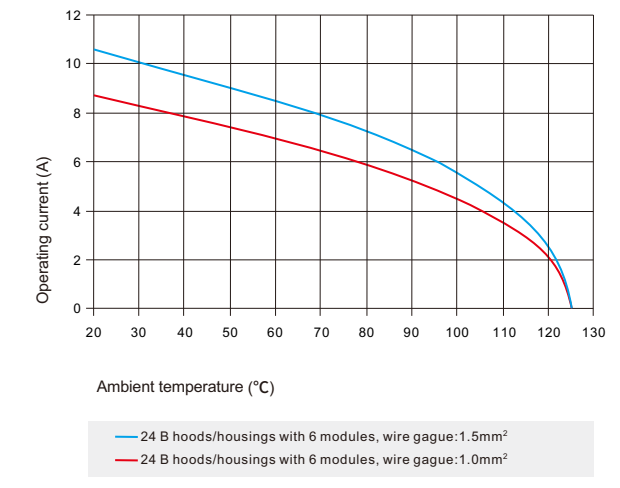
| | |
|---|-----------------------------|
| Crimping tool | Removal tool |
| Wire gauge : 0.5~4.0mm ² (AWG 20-12) | For: 16A 16A Crimp contacts |
| Type : TL1-4.0 | Type : RT-16A |

DMD-012 Crimp Module 250V 10A



Technical characteristics

| | |
|---------------------------------------|--------------------------------|
| Specifications | DIN EN 60 664 DIN EN 61 984 |
| Inserts | |
| Electrical data acc.to EN 61 984 | |
| Number of contacts | 12 |
| • Rated current | 10A |
| • Rated voltage | 250V |
| • Rated impulse voltage | 4KV |
| • Pollution degree | 3 |
| Rated voltage acc. to UL CSA | 600V |
| Insulation resistance | ≥ 10 ¹⁰ Ω |
| Material | Polycarbonate |
| Limiting temperatures | -40 °C ~+125 °C |
| Flammability acc.to UL94 | V0 |
| Mechanical working life-mating cycles | ≥ 500 |
| Contacts | |
| Material | Copper alloy |
| Surface | Hard-silver/gold plated |
| Contact resistance | ≤ 3m Ω |
| Crimp terminal | |
| • mm ² /AWG | 0.14-2.5mm ² /26-14 |



Accessories

When cold pressing connection is selected, additional stitches are needed, as shown in the attachment below:

(10A) Crimp contacts
 Material: Copper alloy
 Contact resistance ≤ 3mΩ
 Matching: DD, DDD, DM, DK, DQ inserts
 Surface: Gold/silver plated
 Terminal: Crimp connection



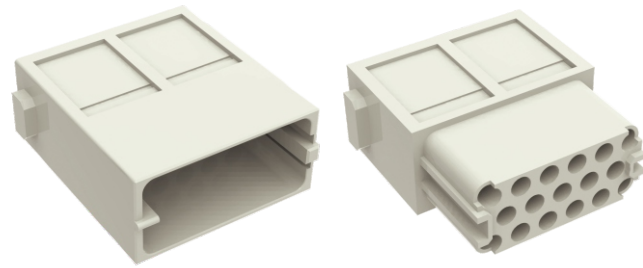
| Contacts, silver-plated | | Contacts, gold plated | | φ (A) | Wire gauge | | Recommended stripping length |
|-------------------------|-----------------|-----------------------|-----------------|-------|--------------------|-------|------------------------------|
| Male Contacts | Female Contacts | Male Contacts | Female Contacts | | (mm ²) | (AWG) | |
| 10A-SM-0.37 | 10A-SF-0.37 | 10A-GM-0.37 | 10A-GF-0.37 | 0.9 | 0.14-0.37 | 26-22 | 8mm |
| 10A-SM-0.5 | 10A-SF-0.5 | 10A-GM-0.5 | 10A-GF-0.5 | 1.1 | 0.50 | 20 | 8mm |
| 10A-SM-0.75 | 10A-SF-0.75 | 10A-GM-0.75 | 10A-GF-0.75 | 1.3 | 0.75 | 18 | 8mm |
| 10A-SM-1.0 | 10A-SF-1.0 | 10A-GM-1.0 | 10A-GF-1.0 | 1.45 | 1.00 | 18 | 8mm |
| 10A-SM-1.5 | 10A-SF-1.5 | 10A-GM-1.5 | 10A-GF-1.5 | 1.75 | 1.50 | 16 | 8mm |
| 10A-SM-2.5 | 10A-SF-2.5 | 10A-GM-2.5 | 10A-GF-2.5 | 2.25 | 2.50 | 14 | 6mm |

Tools



| | |
|---|-----------------------------|
| Crimping tool | Removal tool |
| Wire gauge : 0.5~4.0mm ² (AWG 20-12) | For: 10A 10A Crimp contacts |
| Type : TL1-4.0 | Type : RT-10A |

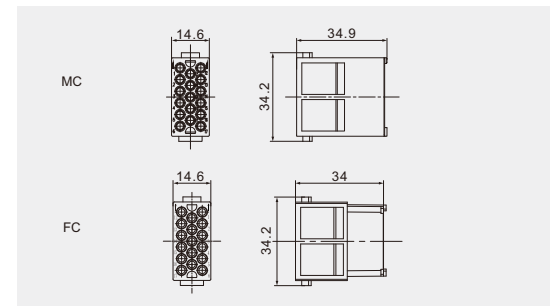
DMD-017 Crimp Module 160V 10A



DMD-017-MC

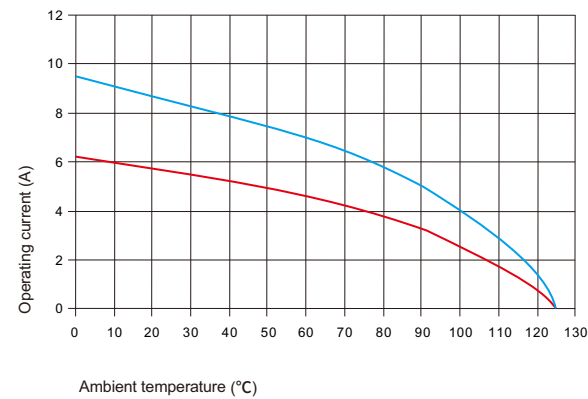
DMD-017-FC

Dimension and hole site



Technical characteristics

| | |
|---------------------------------------|--------------------------------|
| Specifications | DIN EN 60 664 DIN EN 61 984 |
| Inserts | |
| Electrical data acc.to EN 61 984 | |
| Number of contacts | 17 |
| • Rated current | 10A |
| • Rated voltage | 160V |
| • Rated impulse voltage | 2.5KV |
| • Pollution degree | 3 |
| Rated voltage acc. to UL | 250V |
| Insulation resistance | ≥ 10 ¹⁰ Ω |
| Material | Polycarbonate |
| Limiting temperatures | -40 °C ~+125 °C |
| Flammability acc.to UL94 | V0 |
| Mechanical working life-mating cycles | ≥ 500 |
| Contacts | |
| Material | Copper alloy |
| Surface | Hard-silver/gold plated |
| Contact resistance | ≤ 3m Ω |
| Crimp terminal | |
| • mm ² /AWG | 0.14-2.5mm ² /26-14 |



— 24 B hoods/housings with 6 modules, wire gauge:1.5mm²
— 24 B hoods/housings with 6 modules, wire gauge:1.0mm²

Accessories

When cold pressing connection is selected, additional stitches are needed, as shown in the attachment below:

(10A) Crimp contacts

Material: Copper alloy
Contact resistance ≤ 3mΩ
Matching: DD,DDD,DM,DK,DQ inserts
Surface: Gold/silver plated
Terminal: Crimp connection



| Contacts, silver-plated | | Contacts, gold plated | | (φ A) | Wire gauge | | Recommended stripping length |
|-------------------------|-----------------|-----------------------|-----------------|-------|--------------------|-------|------------------------------|
| Male Contacts | Female Contacts | Male Contacts | Female Contacts | | (mm ²) | (AWG) | |
| 10A-SM-0.37 | 10A-SF-0.37 | 10A-GM-0.37 | 10A-GF-0.37 | 0.9 | 0.14-0.37 | 26-22 | 8mm |
| 10A-SM-0.5 | 10A-SF-0.5 | 10A-GM-0.5 | 10A-GF-0.5 | 1.1 | 0.50 | 20 | 8mm |
| 10A-SM-0.75 | 10A-SF-0.75 | 10A-GM-0.75 | 10A-GF-0.75 | 1.3 | 0.75 | 18 | 8mm |
| 10A-SM-1.0 | 10A-SF-1.0 | 10A-GM-1.0 | 10A-GF-1.0 | 1.45 | 1.00 | 18 | 8mm |
| 10A-SM-1.5 | 10A-SF-1.5 | 10A-GM-1.5 | 10A-GF-1.5 | 1.75 | 1.50 | 16 | 8mm |
| 10A-SM-2.5 | 10A-SF-2.5 | 10A-GM-2.5 | 10A-GF-2.5 | 2.25 | 2.50 | 14 | 6mm |

Tools



Crimping tool

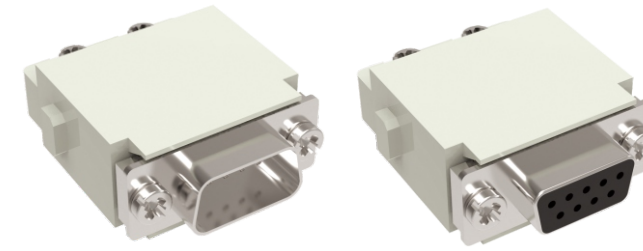
Wire gauge : 0.5~4.0mm² (AWG 20-12)
Type : TL1-4.0



Removal tool

For: 10A冷压针 10A Crimp contacts
Type : RT-10A

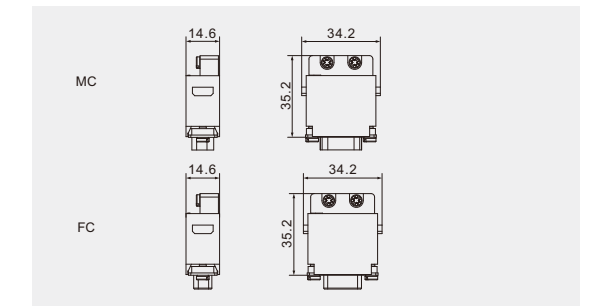
DKE-009 D-Sub Module 50V 5A



DKE-009-MC

DKE-009-FC

Dimension and hole site



Technical characteristics

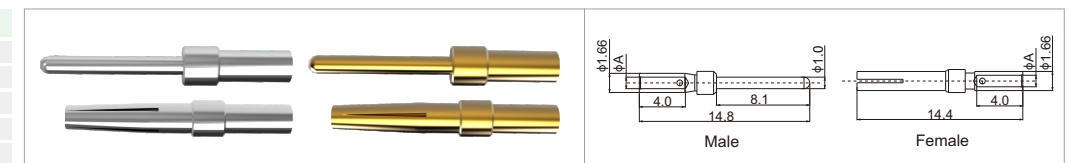
| | |
|---------------------------------------|--|
| Specifications | DIN EN 60 664 DIN EN 61 984 |
| Inserts | |
| Electrical data acc.to EN 61 984 | |
| Number of contacts | 9 |
| • Rated current | 5A |
| • Rated voltage | 50V |
| • Rated impulse voltage | 0.8KV |
| • Pollution degree | 3 |
| Insulation resistance | ≥ 10 ¹⁰ Ω |
| Material | Polycarbonate |
| Limiting temperatures | -40 °C ~+125 °C |
| Flammability acc.to UL94 | V0 |
| Mechanical working life-mating cycles | ≥ 500 |
| Contacts | |
| Material | Copper alloy |
| Surface | Hard-silver plated Hard-gold plated |
| Contact resistance | ≤ 3m Ω |
| Crimp terminal | |
| • mm ² | 0.09-0.82mm ² |
| • AWG | 28-18 |

Accessories

When cold pressing connection is selected, additional stitches are needed, as shown in the attachment below:

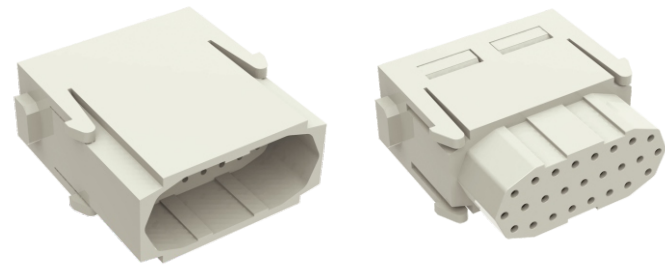
(5A) Crimp contacts

Material: Copper alloy
Contact resistance ≤ 3mΩ
Matching: DM inserts
Surface: Gold/silver plated
Terminal: Crimp connection



| Contacts, silver-plated | | Contacts, gold plated | | (φ A) | Wire gauge | | Recommended stripping length |
|-------------------------|-----------------|-----------------------|-----------------|-------|--------------------|-------|------------------------------|
| Male Contacts | Female Contacts | Male Contacts | Female Contacts | | (mm ²) | (AWG) | |
| 5A-SM-0.25 | 5A-SF-0.25 | 5A-GM-0.25 | 5A-GF-0.25 | 0.64 | 0.09-0.25 | 28-24 | 5mm |
| 5A-SM-0.33 | 5A-SF-0.33 | 5A-GM-0.33 | 5A-GF-0.33 | 0.9 | 0.25-0.33 | 24-22 | 5mm |
| 5A-SM-0.52 | 5A-SF-0.52 | 5A-GM-0.52 | 5A-GF-0.52 | 1.12 | 0.33-0.52 | 22-20 | 5mm |

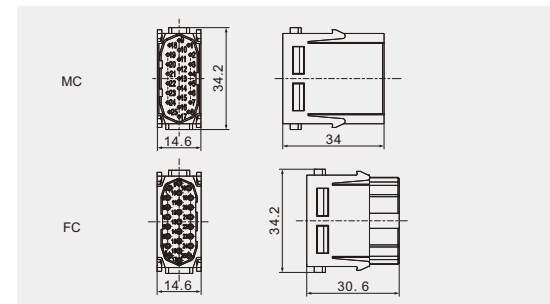
DMD-025 50V 4A



DMD-025-MC

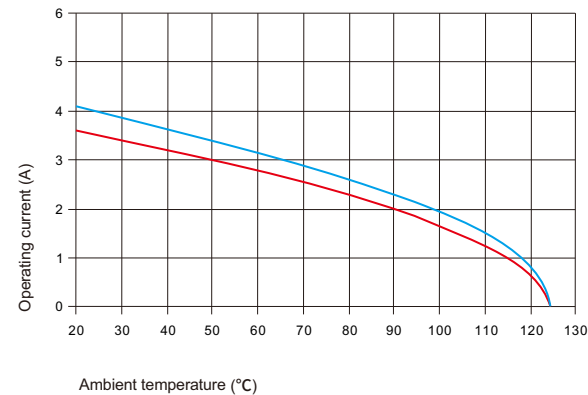
DMD-025-FC

Dimension and hole site



Technical characteristics

| | |
|---------------------------------------|--|
| Specifications | DIN EN 60 664 DIN EN 61 984 |
| Inserts | |
| Electrical data acc.to EN 61 984 | |
| Number of contacts | 25 |
| • Rated current | 4A |
| • Rated voltage | 50V |
| • Rated impulse voltage | 0.8KV |
| • Pollution degree | 3 |
| Insulation resistance | $\geq 10^{10} \Omega$ |
| Material | Polycarbonate |
| Limiting temperatures | -40 °C ~+125 °C |
| Flammability acc.to UL94 | V0 |
| Mechanical working life-mating cycles | ≥ 500 |
| Contacts | |
| Material | Copper alloy |
| Surface | Hard-silver plated Hard-gold plated |
| Contact resistance | $\leq 3m \Omega$ |
| Crimp terminal | |
| • mm ² | 0.09-0.52mm ² |
| • AWG | 28-20 |



Accessories

When cold pressing connection is selected, additional stitches are needed, as shown in the attachment below:

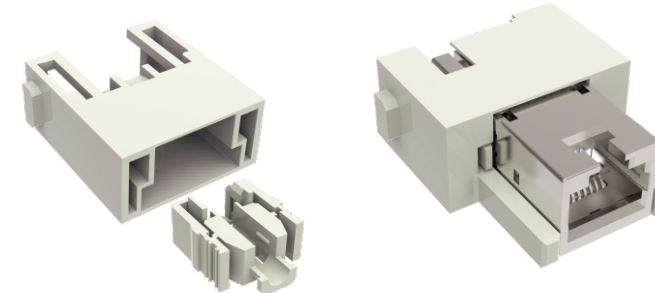
(5A) Crimp contacts

- Material: Copper alloy
- Contact resistance $\leq 3m\Omega$
- Matching: DM inserts
- Surface: Gold/silver plated
- Terminal: Crimp connection



| Contacts, silver-plated | | Contacts, gold plated | | (ϕA) | Wire gauge | | Recommended stripping length |
|-------------------------|-----------------|-----------------------|-----------------|------------|--------------------|-------|------------------------------|
| Male Contacts | Female Contacts | Male Contacts | Female Contacts | | (mm ²) | (AWG) | |
| 5A-SM-0.25 | 5A-SF-0.25 | 5A-GM-0.25 | 5A-GF-0.25 | 0.64 | 0.09-0.25 | 28-24 | 5mm |
| 5A-SM-0.33 | 5A-SF-0.33 | 5A-GM-0.33 | 5A-GF-0.33 | 0.9 | 0.25-0.33 | 24-22 | 5mm |
| 5A-SM-0.52 | 5A-SF-0.52 | 5A-GM-0.52 | 5A-GF-0.52 | 1.12 | 0.33-0.52 | 22-20 | 5mm |

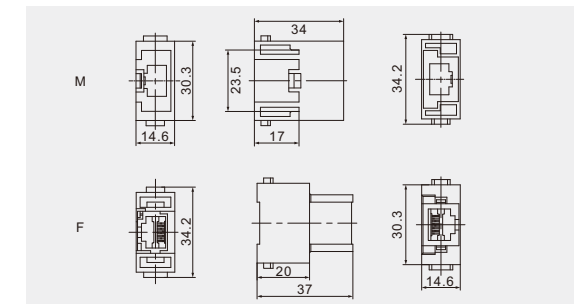
DM-RJ45 Module 50V 1A



DM-RJ45-M

DM-RJ45-F

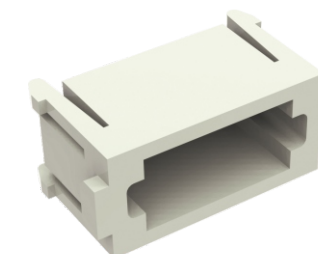
Dimension and hole site



Technical characteristics

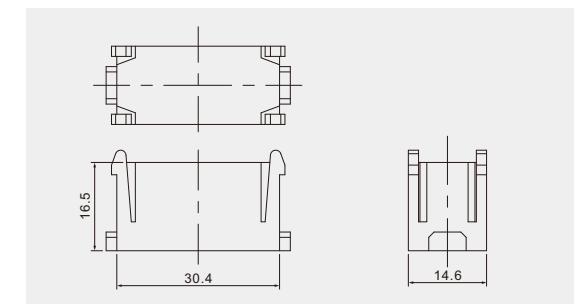
| | |
|---------------------------------------|----------------------------------|
| Specifications | DIN EN 60 664 DIN EN 61 984 |
| Inserts | |
| Electrical data acc.to EN 61 984 | |
| Number of contacts | 8 |
| • Rated current | 1A |
| • Rated voltage | 50V |
| • Rated impulse voltage | 0.8KV |
| • Pollution degree | 3 |
| Rated voltage acc. to UL | < 30V |
| Transmission characteristics | Category 5/Class E up to 100 MHz |
| • Basis | ISO/IEC 24 702 ISO/IEC 11 801 |
| Transmission rate | 10/100/1000 Mbit/s |
| Insulation resistance | $\geq 10^{10} \Omega$ |
| Material | Polycarbonate |
| Limiting temperatures | -40 °C ~+ 85 °C |
| Flammability acc.to UL94 | V0 |
| Mechanical working life-mating cycles | ≥ 500 |

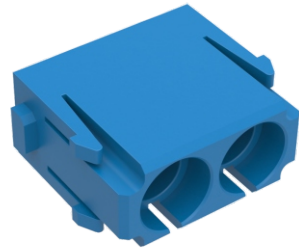
DM-000 Module



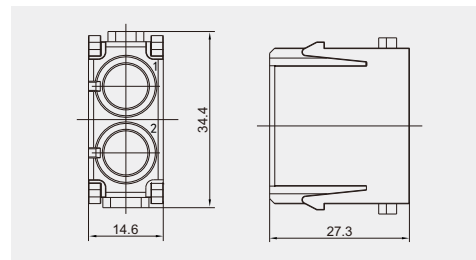
DM-000

Dimension and hole site



Pneumatic module

DMP-002

Dimension and hole site

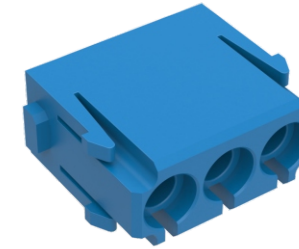


| Pneumatic contacts for tube internal diameter(ID) | Description | Category | ID | P/N | Dimension and hole site |
|---|------------------|----------|-------|----------|-------------------------|
| | Without shut off | Male | 6.0mm | DPCM-6.0 | |
| | Without shut off | Female | 6.0mm | DPCF-6.0 | |

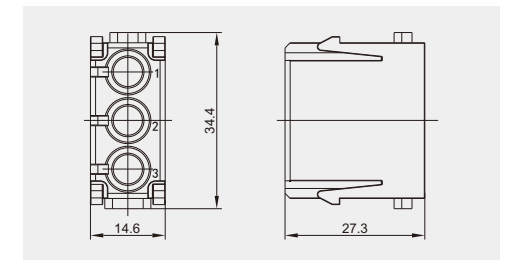
| Pneumatic contacts for tube internal diameter(ID) | Description | Category | ID | P/N | Dimension and hole site |
|---|---------------|----------|-------|-----------|-------------------------|
| | With shut off | Female | 6.0mm | DPCFS-6.0 | |

Technical characteristics

| | |
|---------------------------------------|--------------------------------|
| Specifications | DIN EN 60 664 DIN EN 61 984 |
| Inserts | |
| Electrical data acc.to EN 61 984 | |
| Number of contacts | 2 |
| Material | Polycarbonate |
| Limiting temperatures | |
| Flammability acc.to UL94 | V0 |
| Mechanical working life-mating cycles | ≥ 500 |
| Contacts | |
| Material | Polyformaldehyde |
| Colour | Black |
| Tube termination | |
| • Internal diameter(ID) | 6.0mm/1/4" |
| Working pressure | Up to 8 bar/116 psi |
| Sealing | |
| • Material | NBR |
| Shut off valve | |
| • Material | Polyformaldehyde |

Pneumatic module

DMP-003

Dimension and hole site

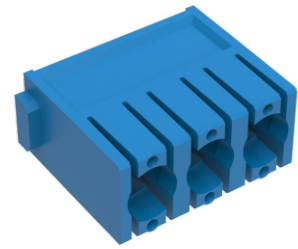


| Pneumatic contacts for tube internal diameter(ID) | Description | Category | ID | P/N | Dimension and hole site |
|---|------------------|----------|-------|----------|-------------------------|
| | Without shut off | Male | 1.6mm | DPCM-1.6 | |
| | | | 3.0mm | DPCM-3.0 | |
| | | | 4.0mm | DPCM-4.0 | |
| | Without shut off | Female | 1.6mm | DPCF-1.6 | |
| | | | 3.0mm | DPCF-3.0 | |
| | | | 4.0mm | DPCF-4.0 | |

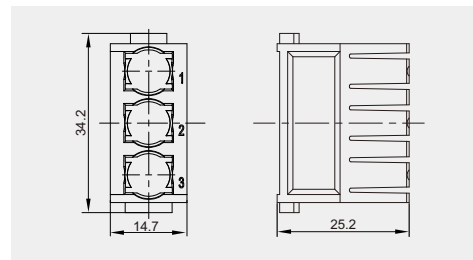
| Pneumatic contacts for tube internal diameter(ID) | Description | Category | ID | P/N | Dimension and hole site |
|---|---------------|----------|-------|-----------|-------------------------|
| | With shut off | Female | 1.6mm | DPCFS-1.6 | |
| | | | 3.0mm | DPCFS-3.0 | |
| | | | 4.0mm | DPCFS-4.0 | |

Technical characteristics

| | |
|---------------------------------------|--------------------------------|
| Specifications | DIN EN 60 664 DIN EN 61 984 |
| Inserts | |
| Electrical data acc.to EN 61 984 | |
| Number of contacts | 3 |
| Material | Polycarbonate |
| Limiting temperatures | |
| Flammability acc.to UL94 | V0 |
| Mechanical working life-mating cycles | ≥ 500 |
| Contacts | |
| Material | Polyformaldehyde |
| Colour | Black |
| Tube termination | |
| • Internal diameter(ID) | 1.6mm/3.0mm/4.0mm |
| Working pressure | Up to 8 bar/116 psi |
| Sealing | |
| • Material | FPM |
| Shut off valve | |
| • Material | Polyformaldehyde |

Metal pneumatic module

DMP-003-V2

Dimension and hole site

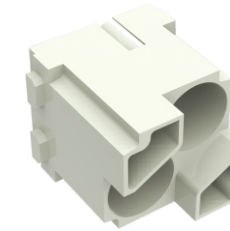
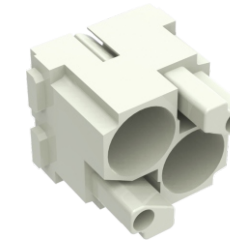


| Pneumatic contacts for tube internal diameter (ID) | Description | Category | ID | P/N | Dimension and hole site | | | | | | | | | | | | | | | | | | | | |
|--|------------------|----------|-------|-------------|--|------|---|----|---|---|-----|---|------|---|----|-----|-----|------|-----|------|-----|-----|------|-----|------|
| | Without shut off | Male | 3.0mm | DMPCM-OD3.0 | <table border="1"> <thead> <tr> <th>OD</th> <th>A</th> <th>B</th> <th>C</th> <th>D</th> </tr> </thead> <tbody> <tr> <td>3.0</td> <td>8</td> <td>43.7</td> <td>8</td> <td>48</td> </tr> <tr> <td>4.0</td> <td>9.8</td> <td>43.9</td> <td>9.8</td> <td>50.2</td> </tr> <tr> <td>6.0</td> <td>9.8</td> <td>45.9</td> <td>9.8</td> <td>52.2</td> </tr> </tbody> </table> | OD | A | B | C | D | 3.0 | 8 | 43.7 | 8 | 48 | 4.0 | 9.8 | 43.9 | 9.8 | 50.2 | 6.0 | 9.8 | 45.9 | 9.8 | 52.2 |
| | | | OD | A | | B | C | D | | | | | | | | | | | | | | | | | |
| | | | 3.0 | 8 | | 43.7 | 8 | 48 | | | | | | | | | | | | | | | | | |
| 4.0 | 9.8 | 43.9 | 9.8 | 50.2 | | | | | | | | | | | | | | | | | | | | | |
| 6.0 | 9.8 | 45.9 | 9.8 | 52.2 | | | | | | | | | | | | | | | | | | | | | |
| 4.0mm | DMPCM-OD4.0 | | | | | | | | | | | | | | | | | | | | | | | | |
| 6.0mm | DMPCM-OD6.0 | | | | | | | | | | | | | | | | | | | | | | | | |
| | Without shut off | Female | 3.0mm | DMPCF-OD3.0 | | | | | | | | | | | | | | | | | | | | | |
| | | | 4.0mm | DMPCF-OD4.0 | | | | | | | | | | | | | | | | | | | | | |
| | | | 6.0mm | DMPCF-OD6.0 | | | | | | | | | | | | | | | | | | | | | |

| Pneumatic contacts for tube internal diameter (ID) | Description | Category | ID | P/N | Dimension and hole site | | | | | | | | | | | | | | | | | | | | |
|--|---------------|----------|-------|--------------|--|-----|------|----|---|---|-----|---|-----|------|----|-----|-----|-----|------|------|-----|-----|-----|------|------|
| | With shut off | Female | 3.0mm | DMPCFS-OD3.0 | <table border="1"> <thead> <tr> <th>OD</th> <th>A</th> <th>B</th> <th>C</th> <th>D</th> </tr> </thead> <tbody> <tr> <td>3.0</td> <td>8</td> <td>7.1</td> <td>34.8</td> <td>48</td> </tr> <tr> <td>4.0</td> <td>9.8</td> <td>7.1</td> <td>36.8</td> <td>50.2</td> </tr> <tr> <td>6.0</td> <td>9.8</td> <td>9.1</td> <td>36.8</td> <td>52.2</td> </tr> </tbody> </table> | OD | A | B | C | D | 3.0 | 8 | 7.1 | 34.8 | 48 | 4.0 | 9.8 | 7.1 | 36.8 | 50.2 | 6.0 | 9.8 | 9.1 | 36.8 | 52.2 |
| | | | OD | A | | B | C | D | | | | | | | | | | | | | | | | | |
| | | | 3.0 | 8 | | 7.1 | 34.8 | 48 | | | | | | | | | | | | | | | | | |
| 4.0 | 9.8 | 7.1 | 36.8 | 50.2 | | | | | | | | | | | | | | | | | | | | | |
| 6.0 | 9.8 | 9.1 | 36.8 | 52.2 | | | | | | | | | | | | | | | | | | | | | |
| 4.0mm | DMPCFS-OD4.0 | | | | | | | | | | | | | | | | | | | | | | | | |
| 6.0mm | DMPCFS-OD6.0 | | | | | | | | | | | | | | | | | | | | | | | | |

Technical characteristics

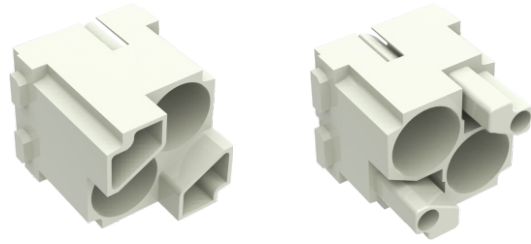
| | |
|---------------------------------------|--------------------------------|
| Specifications | DIN EN 60 664 DIN EN 61 984 |
| Inserts | |
| Electrical data acc.to EN 61 984 | |
| Number of contacts | 3 |
| Material | Polycarbonate |
| Limiting temperatures | |
| Flammability acc.to UL94 | V0 |
| Mechanical working life-mating cycles | ≥ 500 |
| Contacts | |
| Material | Copper Nickel plated |
| Tube termination | |
| • Internal diameter (ID) | 3.0mm/4.0mm/6.0mm |
| Working pressure | Up to 10 bar/116 psi |
| Sealing | |
| • Material | FPM |
| Shut off valve | |
| • Material | Polyformaldehyde |

Q-Coax module

D2M-002-M

D2M-002-F
Technical characteristics

| | |
|---------------------------------------|-----------------------------------|
| Specifications | DIN EN 60 664 DIN EN 61 984 |
| Inserts | |
| Electrical data acc.to EN 61 984 | |
| Number of contacts | 1,2 |
| Insulation resistance | ≥ 10 ¹⁰ Ω |
| Material | Polycarbonate |
| Limiting temperatures | -40 °C ~+125 °C |
| Flammability acc.to UL94 | V0 |
| Mechanical working life-mating cycles | ≥ 500 |
| Contacts | |
| Number of contacts | 4/8+Shield |
| Electrical data acc. to EN 61 984 | 10A 50V 0.8kV 3 5A 50V 0.8kV 3 |
| Rated current | 10/5A |
| Rated voltage | 50V |
| Rated impulse voltage | 0.8KV |
| Pollution degree | 3 |
| Material | |
| • Insulator | Polycarbonate |
| • Conductors | Zinc alloy |
| Contact resistance | ≤ 4m Ω |
| Limiting temperatures | -40 °C ~+85 °C |
| Flammability acc.to UL94 | V0 |
| Cable diameter | 3-9.5mm |
| Contacts | |
| Material | Copper alloy |
| Surface | Gold plated |
| Contact resistance | ≤ 3m Ω |
| Crimp terminal | |
| • mm ² /AWG | 0.09-0.52mm ² /28-20 |
| Contacts | |
| Material | Copper alloy |
| Surface | Gold plated |
| Contact resistance | ≤ 3m Ω |
| Crimp terminal | |
| • mm ² /AWG | 0.14-2.5mm ² /26-14 |

Q-Coax module

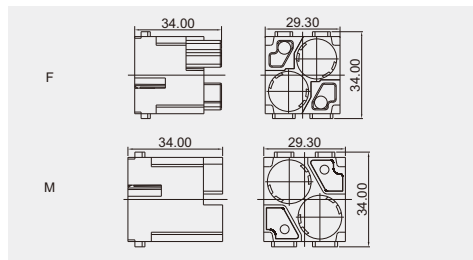
Crimp terminal



D2M-002-M

D2M-002-F

Dimension and hole site



| Q-Coax Adapter | Description | P/N | Dimension and hole site |
|----------------|-------------|----------|-------------------------|
| | | APT-D2MQ | |

| Q-Coax 4Contacts(10A) | Description | P/N | Dimension and hole site |
|-----------------------|-------------|------------|-------------------------|
| | Male | EMC-004-MC | |
| | Female | EMC-004-FC | |

| Q-Coax 8Contacts(5A) | Description | P/N | Dimension and hole site |
|----------------------|-------------|------------|-------------------------|
| | Male | EMC-008-MC | |
| | Female | EMC-008-FC | |

Accessories

When cold pressing connection is selected, additional stitches are needed, as shown in the attachment below:



| Contacts, silver-plated | | Contacts, gold plated | | (ϕA) | Wire gauge | | Recommended stripping length |
|-------------------------|-----------------|-----------------------|-----------------|------------|--------------------|-------|------------------------------|
| Male Contacts | Female Contacts | Male Contacts | Female Contacts | | (mm ²) | (AWG) | |
| 5A-SM-0.25 | 5A-SF-0.25 | 5A-GM-0.25 | 5A-GF-0.25 | 0.64 | 0.09-0.25 | 28-24 | 5mm |
| 5A-SM-0.33 | 5A-SF-0.33 | 5A-GM-0.33 | 5A-GF-0.33 | 0.9 | 0.25-0.33 | 24-22 | 5mm |
| 5A-SM-0.52 | 5A-SF-0.52 | 5A-GM-0.52 | 5A-GF-0.52 | 1.12 | 0.33-0.52 | 22-20 | 5mm |



| Contacts, silver-plated | | Contacts, gold plated | | (ϕA) | Wire gauge | | Recommended stripping length |
|-------------------------|-----------------|-----------------------|-----------------|------------|--------------------|-------|------------------------------|
| Male Contacts | Female Contacts | Male Contacts | Female Contacts | | (mm ²) | (AWG) | |
| 10A-SM-0.37 | 10A-SF-0.37 | 10A-GM-0.37 | 10A-GF-0.37 | 0.9 | 0.14-0.37 | 26-22 | 8mm |
| 10A-SM-0.5 | 10A-SF-0.5 | 10A-GM-0.5 | 10A-GF-0.5 | 1.1 | 0.50 | 20 | 8mm |
| 10A-SM-0.75 | 10A-SF-0.75 | 10A-GM-0.75 | 10A-GF-0.75 | 1.3 | 0.75 | 18 | 8mm |
| 10A-SM-1.0 | 10A-SF-1.0 | 10A-GM-1.0 | 10A-GF-1.0 | 1.45 | 1.00 | 18 | 8mm |
| 10A-SM-1.5 | 10A-SF-1.5 | 10A-GM-1.5 | 10A-GF-1.5 | 1.75 | 1.50 | 16 | 8mm |
| 10A-SM-2.5 | 10A-SF-2.5 | 10A-GM-2.5 | 10A-GF-2.5 | 2.25 | 2.50 | 14 | 6mm |

Q-Coax module

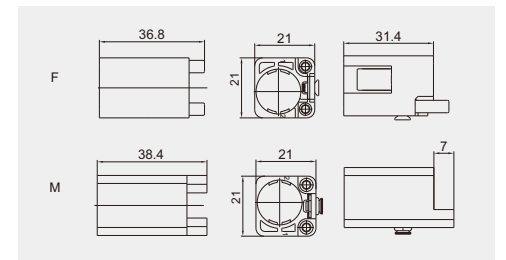
Crimp terminal



D3A-001-M

D3A-001-F

Dimension and hole site



| Q-Coax 4Contacts(10A) | Description | P/N | Dimension and hole site |
|-----------------------|-------------|------------|-------------------------|
| | Male | EMC-004-MC | |
| | Female | EMC-004-FC | |

| Q-Coax 8Contacts(5A) | Description | P/N | Dimension and hole site |
|----------------------|-------------|------------|-------------------------|
| | Male | EMC-008-MC | |
| | Female | EMC-008-FC | |

Accessories

When cold pressing connection is selected, additional stitches are needed, as shown in the attachment below:



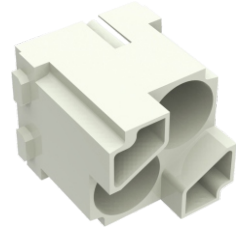
| Contacts, silver-plated | | Contacts, gold plated | | (ϕA) | Wire gauge | | Recommended stripping length |
|-------------------------|-----------------|-----------------------|-----------------|------------|--------------------|-------|------------------------------|
| Male Contacts | Female Contacts | Male Contacts | Female Contacts | | (mm ²) | (AWG) | |
| 5A-SM-0.25 | 5A-SF-0.25 | 5A-GM-0.25 | 5A-GF-0.25 | 0.64 | 0.09-0.25 | 28-24 | 5mm |
| 5A-SM-0.33 | 5A-SF-0.33 | 5A-GM-0.33 | 5A-GF-0.33 | 0.9 | 0.25-0.33 | 24-22 | 5mm |
| 5A-SM-0.52 | 5A-SF-0.52 | 5A-GM-0.52 | 5A-GF-0.52 | 1.12 | 0.33-0.52 | 22-20 | 5mm |



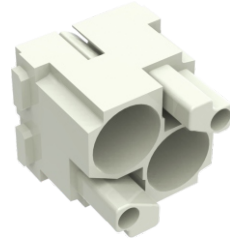
| Contacts, silver-plated | | Contacts, gold plated | | (ϕA) | Wire gauge | | Recommended stripping length |
|-------------------------|-----------------|-----------------------|-----------------|------------|--------------------|-------|------------------------------|
| Male Contacts | Female Contacts | Male Contacts | Female Contacts | | (mm ²) | (AWG) | |
| 10A-SM-0.37 | 10A-SF-0.37 | 10A-GM-0.37 | 10A-GF-0.37 | 0.9 | 0.14-0.37 | 26-22 | 8mm |
| 10A-SM-0.5 | 10A-SF-0.5 | 10A-GM-0.5 | 10A-GF-0.5 | 1.1 | 0.50 | 20 | 8mm |
| 10A-SM-0.75 | 10A-SF-0.75 | 10A-GM-0.75 | 10A-GF-0.75 | 1.3 | 0.75 | 18 | 8mm |
| 10A-SM-1.0 | 10A-SF-1.0 | 10A-GM-1.0 | 10A-GF-1.0 | 1.45 | 1.00 | 18 | 8mm |
| 10A-SM-1.5 | 10A-SF-1.5 | 10A-GM-1.5 | 10A-GF-1.5 | 1.75 | 1.50 | 16 | 8mm |
| 10A-SM-2.5 | 10A-SF-2.5 | 10A-GM-2.5 | 10A-GF-2.5 | 2.25 | 2.50 | 14 | 6mm |

Q-Coax module

NEW



D2M-002-M



D2M-002-F

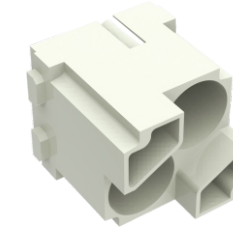
Technical characteristics

| | |
|---------------------------------------|------------------------------------|
| Specifications | DIN EN 60 664 DIN EN 61 984 |
| Inserts | |
| Electrical data acc.to EN 61 984 | |
| Number of contacts | 1,2 |
| Insulation resistance | $\geq 10^{10} \Omega$ |
| Material | Polycarbonate |
| Limiting temperatures | -40 °C ~+125 °C |
| Flammability acc.to UL94 | V0 |
| Mechanical working life-mating cycles | ≥ 500 |
| Contacts | |
| Number of contacts | 1+Shield |
| Electrical data acc.to EN 61 984 | 10A 50V 0.8kV 3 16A 50V 0.8kV 3 |
| Rated current | 10/16A |
| Rated voltage | 50V |
| Rated impulse voltage | 0.8KV |
| Pollution degree | 3 |
| Material | |
| • Insulator | Polycarbonate |
| • Conductors | Zinc alloy |
| Contact resistance | $\leq 4m \Omega$ |
| Limiting temperatures | -40 °C ~+85 °C |
| Flammability acc.to UL94 | V0 |
| Cable diameter | 3-9.5mm |
| Contacts | |
| Material | Copper alloy |
| Surface | Gold plated |
| Contact resistance | $\leq 3m \Omega$ |
| Crimp terminal | |
| • mm ² /AWG | 0.14-2.5mm ² /26-14 |
| Contacts | |
| Material | Copper alloy |
| Surface | Gold plated |
| Contact resistance | $\leq 1m \Omega$ |
| Crimp terminal | |
| • mm ² /AWG | 0.14-4mm ² /26-12 |

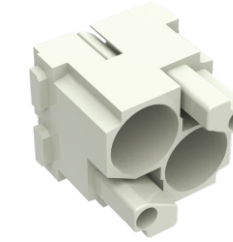
Q-Coax module

Crimp terminal

NEW

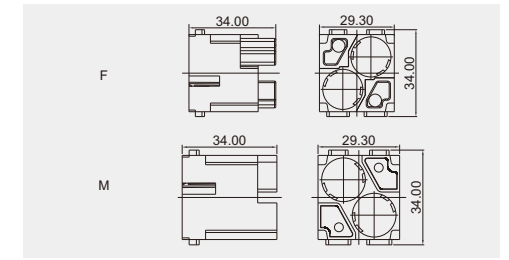


D2M-002-M



D2M-002-F

Dimension and hole site



| Q-Coax Adapter | Description | P/N | Dimension and hole site |
|----------------|-------------|----------|-------------------------|
| | | APT-D2MQ | |

| Q-Coax 1Contacts(10A) | Impedance | Description | P/N | Dimension and hole site |
|-----------------------|-----------|-------------|------------|-------------------------|
| | 75Ω | Male | EMC-001-MC | |
| | | Female | EMC-001-FC | |

| Q-Coax 1Contacts(16A) | Description | P/N | Dimension and hole site |
|-----------------------|-------------|--------------|-------------------------|
| | Male | EMC-001-MC/E | |
| | Female | EMC-001-FC/E | |

Accessories

When cold pressing connection is selected, additional stitches are needed, as shown in the attachment below:

(10A) Crimp contacts
Material: Copper alloy
Contact resistance $\leq 3m\Omega$
Matching: DD,DDD,DM,DK,DQ inserts
Surface: Gold/silver plated
Terminal: Crimp connection

| Contacts, silver-plated | | Contacts, gold plated | | φ (A) | Wire gauge | | Recommended stripping length |
|-------------------------|-----------------|-----------------------|-----------------|-------|--------------------|-------|------------------------------|
| Male Contacts | Female Contacts | Male Contacts | Female Contacts | | (mm ²) | (AWG) | |
| 10A-SM-0.37 | 10A-SF-0.37 | 10A-GM-0.37 | 10A-GF-0.37 | 0.9 | 0.14-0.37 | 26-22 | 8mm |
| 10A-SM-0.5 | 10A-SF-0.5 | 10A-GM-0.5 | 10A-GF-0.5 | 1.1 | 0.50 | 20 | 8mm |
| 10A-SM-0.75 | 10A-SF-0.75 | 10A-GM-0.75 | 10A-GF-0.75 | 1.3 | 0.75 | 18 | 8mm |
| 10A-SM-1.0 | 10A-SF-1.0 | 10A-GM-1.0 | 10A-GF-1.0 | 1.45 | 1.00 | 18 | 8mm |
| 10A-SM-1.5 | 10A-SF-1.5 | 10A-GM-1.5 | 10A-GF-1.5 | 1.75 | 1.50 | 16 | 8mm |
| 10A-SM-2.5 | 10A-SF-2.5 | 10A-GM-2.5 | 10A-GF-2.5 | 2.25 | 2.50 | 14 | 6mm |

(16A) Crimp contacts
Material: Copper alloy
Contact resistance $\leq 1m\Omega$
Matching: DA,DE,DEE,DM,DK inserts
Surface: Gold/silver plated
Terminal: Crimp connection

| Contacts, silver-plated | | Contacts, gold plated | | φ (A) | Wire gauge | | Recommended stripping length |
|-------------------------|-----------------|-----------------------|-----------------|-------|--------------------|-------|------------------------------|
| Male Contacts | Female Contacts | Male Contacts | Female Contacts | | (mm ²) | (AWG) | |
| 16A-SM-0.37 | 16A-SF-0.37 | 16A-GM-0.37 | 16A-GF-0.37 | 0.9 | 0.14-0.37 | 26-22 | 7.5mm |
| 16A-SM-0.5 | 16A-SF-0.5 | 16A-GM-0.5 | 16A-GF-0.5 | 1.1 | 0.50 | 20 | 7.5mm |
| 16A-SM-0.75 | 16A-SF-0.75 | 16A-GM-0.75 | 16A-GF-0.75 | 1.3 | 0.75 | 18 | 7.5mm |
| 16A-SM-1.0 | 16A-SF-1.0 | 16A-GM-1.0 | 16A-GF-1.0 | 1.45 | 1.00 | 18 | 7.5mm |
| 16A-SM-1.5 | 16A-SF-1.5 | 16A-GM-1.5 | 16A-GF-1.5 | 1.75 | 1.50 | 16 | 7.5mm |
| 16A-SM-2.5 | 16A-SF-2.5 | 16A-GM-2.5 | 16A-GF-2.5 | 2.25 | 2.50 | 14 | 7.5mm |
| 16A-SM-4.0 | 16A-SF-4.0 | 16A-GM-4.0 | 16A-GF-4.0 | 2.85 | 4.00 | 12 | 7.5mm |

Q-Coax module

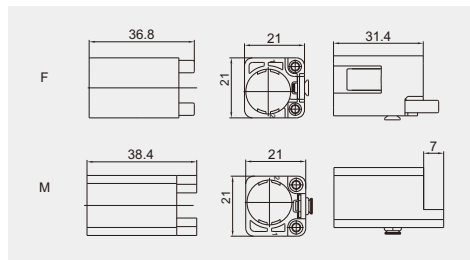
Crimp terminal



D3A-001-M

D3A-001-F

Dimension and hole site



Q-Coax 1Contacts(10A)

Description

P/N

Dimension and hole site

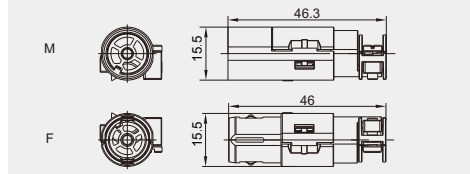


Male

EMC-001-MC

Female

EMC-001-FC



Q-Coax 1Contacts(16A)

Description

P/N

Dimension and hole site

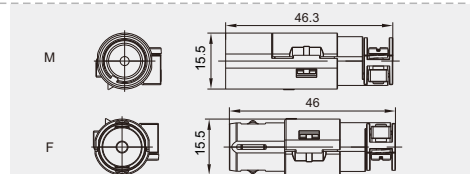


Male

EMC-001-MC/E

Female

EMC-001-FC/E

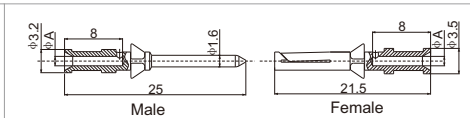
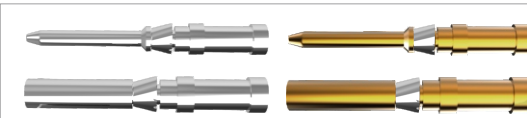


Accessories

When cold pressing connection is selected, additional stitches are needed, as shown in the attachment below:

(10A) Crimp contacts

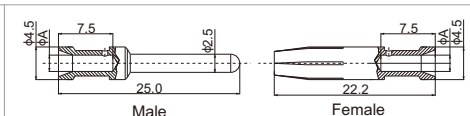
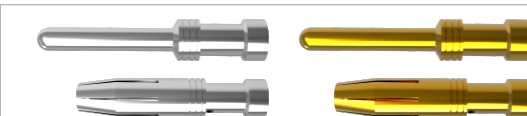
Material: Copper alloy
Contact resistance ≤ 3mΩ
Matching: DD,DDD,DM,DK,DQ inserts
Surface: Gold/silver plated
Terminal: Crimp connection



| Contacts, silver-plated | | Contacts, gold plated | | (φ A) | Wire gauge | | Recommended stripping length |
|-------------------------|-----------------|-----------------------|-----------------|-------|--------------------|-------|------------------------------|
| Male Contacts | Female Contacts | Male Contacts | Female Contacts | | (mm ²) | (AWG) | |
| 10A-SM-0.37 | 10A-SF-0.37 | 10A-GM-0.37 | 10A-GF-0.37 | 0.9 | 0.14-0.37 | 26-22 | 8mm |
| 10A-SM-0.5 | 10A-SF-0.5 | 10A-GM-0.5 | 10A-GF-0.5 | 1.1 | 0.50 | 20 | 8mm |
| 10A-SM-0.75 | 10A-SF-0.75 | 10A-GM-0.75 | 10A-GF-0.75 | 1.3 | 0.75 | 18 | 8mm |
| 10A-SM-1.0 | 10A-SF-1.0 | 10A-GM-1.0 | 10A-GF-1.0 | 1.45 | 1.00 | 18 | 8mm |
| 10A-SM-1.5 | 10A-SF-1.5 | 10A-GM-1.5 | 10A-GF-1.5 | 1.75 | 1.50 | 16 | 8mm |
| 10A-SM-2.5 | 10A-SF-2.5 | 10A-GM-2.5 | 10A-GF-2.5 | 2.25 | 2.50 | 14 | 6mm |

(16A) Crimp contacts

Material: Copper alloy
Contact resistance ≤ 1mΩ
Matching: DA,DE,DEE,DM,DKinsets
Surface: Gold/silver plated
Terminal: Crimp connection



| Contacts, silver-plated | | Contacts, gold plated | | (φ A) | Wire gauge | | Recommended stripping length |
|-------------------------|-----------------|-----------------------|-----------------|-------|--------------------|-------|------------------------------|
| Male Contacts | Female Contacts | Male Contacts | Female Contacts | | (mm ²) | (AWG) | |
| 16A-SM-0.37 | 16A-SF-0.37 | 16A-GM-0.37 | 16A-GF-0.37 | 0.9 | 0.14-0.37 | 26-22 | 7.5mm |
| 16A-SM-0.5 | 16A-SF-0.5 | 16A-GM-0.5 | 16A-GF-0.5 | 1.1 | 0.50 | 20 | 7.5mm |
| 16A-SM-0.75 | 16A-SF-0.75 | 16A-GM-0.75 | 16A-GF-0.75 | 1.3 | 0.75 | 18 | 7.5mm |
| 16A-SM-1.0 | 16A-SF-1.0 | 16A-GM-1.0 | 16A-GF-1.0 | 1.45 | 1.00 | 18 | 7.5mm |
| 16A-SM-1.5 | 16A-SF-1.5 | 16A-GM-1.5 | 16A-GF-1.5 | 1.75 | 1.50 | 16 | 7.5mm |
| 16A-SM-2.5 | 16A-SF-2.5 | 16A-GM-2.5 | 16A-GF-2.5 | 2.25 | 2.50 | 14 | 7.5mm |
| 16A-SM-4.0 | 16A-SF-4.0 | 16A-GM-4.0 | 16A-GF-4.0 | 2.85 | 4.00 | 12 | 7.5mm |

Hoods & Housings Feature

Size 3A

| Plastic Hoods & Housings | |
|------------------------------------|--------------------------|
| Material | Polycarbonate |
| Colour | Light grey(RAL7032) |
| Locking element | |
| Lever type | Plastic elastic pressing |
| Material | Polymide |
| Hoods / Housings seal | NBR |
| Limiting temperatures | -40~+125°C |
| Flammability acc to UI94 | V0 |
| Degree of protection acc. To | IP65 |
| DIN EN 60529 for coupled connector | |

Size 3A

| Metal Hoods & Housings | |
|------------------------------------|-------------------|
| Material | Zinc die-cast |
| Colour | Grey(RAL7037) |
| Locking element | |
| Lever type | Lever |
| Material | Metal zinc-plated |
| Hoods / Housings seal | NBR |
| Limiting temperatures | -40~+125°C |
| Flammability acc to UI94 | V0 |
| Degree of protection acc. To | IP65 |
| DIN EN 60529 for coupled connector | |

Standard Hoods & Housings (10A,16A,32A,6B,10B,16B,24B,32B,48B)

| | |
|------------------------------------|--------------------|
| Material | Aluminium die-cast |
| Colour | Grey(RAL7037) |
| Locking element | |
| Lever type | Lever |
| Material | Metal zinc-plated |
| Hoods / Housings seal | NBR |
| Limiting temperatures | -40~+125°C |
| Flammability acc to UI94 | V0 |
| Degree of protection acc. To | IP65 |
| DIN EN 60529 for coupled connector | |

Size DC

| Plastic Hoods & Housings | |
|------------------------------------|--------------------------|
| Material | Polycarbonate |
| Colour | Black(RAL9005) |
| Locking element | |
| Lever type | Plastic elastic pressing |
| Material | Polymide |
| Hoods / Housings seal | NBR |
| Limiting temperatures | -40~+125°C |
| Flammability acc to UI94 | V0 |
| Degree of protection acc. To | IP65 |
| DIN EN 60529 for coupled connector | |

Size DP

| Metal Hoods & Housings | |
|------------------------------------|--------------------|
| Material | Aluminium die-cast |
| Colour | Black(RAL9005) |
| Locking element | |
| Lever type | Bolted connection |
| Material | Stainless steel |
| Hoods / Housings seal | NBR |
| Limiting temperatures | -40~+125°C |
| Flammability acc to UI94 | V0 |
| Degree of protection acc. To | IP68 |
| DIN EN 60529 for coupled connector | |

D3A Plastic Hoods & Housings

Degree of protection : IP65

| Hoods & Housings | Description | Type | Thread | Drawing |
|------------------|-----------------------------|--|-------------|---------|
| | Hoods, side entry | D3A.P-SE-2g-M20 D3A.P-SE-2g-PG11 | M20 PG11 | |
| | Hoods, top entry | D3A.P-TE-2g-M20 D3A.P-TE-2g-PG11 | M20 PG11 | |
| | Housings, bulkhead mounting | D3A.P-BK-1L | -- | |
| | Housings, bulkhead mounting | D3A.P-BK-1L-SE | -- | |
| | Housings, surface mounting | D3A.P-SF-1L-M20 D3A.P-SF-1L-PG11 | M20 PG11 | |
| | Housings, cable to cable | D3A.P-CCT-1L-M20 D3A.P-CCT-1L-PG11 | M20 PG11 | |
| | Protection | D3A-CV-1L/1M (for male insert) D3A-CV-1L/1F (for female insert) | Connect way | |
| | Protection | D3A-CV-2g/1M (for male insert) D3A-CV-2g/2M (for male insert) D3A-CV-2g/1F (for female insert) D3A-CV-2g/2F (for female insert) | | |


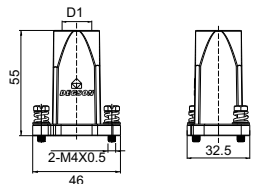

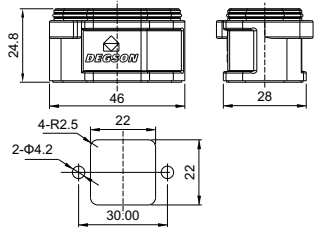
D3A Metal Hoods & Housings

Degree of protection : IP65

| Hoods & Housings | Description | Type | Thread | 图纸 Drawing |
|------------------|-----------------------------|--|-----------------------|------------|
| | Hoods, side entry | D3A-SE-2g-M20 D3A-SE-2g-PG11 D3A-SE-2g-PG13.5 | M20 PG11 PG13.5 | |
| | Hoods, top entry | D3A-TE-2g-M20 D3A-TE-2g-PG11 D3A-TE-2g-PG13.5 | M20 PG11 PG13.5 | |
| | Housings, bulkhead mounting | D3A-BK-1L | -- | |
| | Housings, bulkhead mounting | D3A-BK-1L-MCV | -- | |
| | Housings, bulkhead mounting | D3A-BK-SE-1L | -- | |
| | Housings, bulkhead mounting | D3A-SF-1L-M20 D3A-SF-1L-PG11 D3A-SF-1L-PG13.5 | M20 PG11 PG13.5 | |
| | Housings, cable to cable | D3A-CCT-1L-M20 D3A-CCT-1L-PG11 D3A-CCT-1L-PG13.5 | M20 PG11 PG13.5 | |
| | Protection | D3A-MCV-1L/1M (for male insert) D3A-MCV-1L/1F (for female insert) | Connect way | |
| | Protection | D3A-MCV-2g/1M (for male insert) D3A-MCV-2g/2M (for male insert) D3A-MCV-2g/1F (for female insert) D3A-MCV-2g/2F (for female insert) | | |


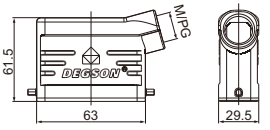

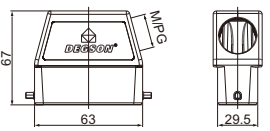

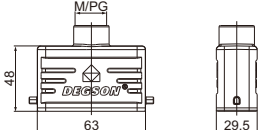

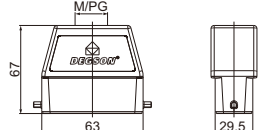

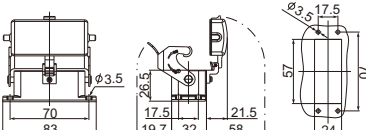

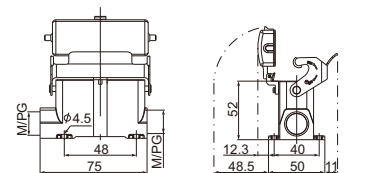

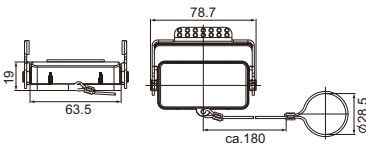

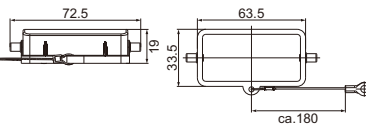
DP3A Metal Hoods & Housings

Degree of protection : IP68

| Hoods & Housings | Description | Type | Thread | Drawing |
|---|-----------------------------|---|---------------|---|
|  | Hoods, top entry | DP3A/H-TE-2S-M20-00A(H) DP3A/H-TE-2S-PG13.5-00A(H) | M20 PG13.5 |  |
|  | Housings, bulkhead mounting | DP3A/H-BK-2H-00A(H) | - |  |

D10A Metal Hoods & Housings

Degree of protection : IP65

| Hoods & Housings | Description | Type | Thread | Drawing |
|---|--------------------------------------|---|---|---|
|  | Hoods, side entry | D10A-SE-2g-M20 D10A-SE-2g-PG13.5 D10A-SE-2g-PG16 | M20 PG13.5 PG16 |  |
|  | Hoods, side entry, high construction | D10A-SEH-2g-M25 D10A-SEH-2g-PG16 D10A-SEH-2g-PG21 | M25 PG16 PG21 |  |
|  | Hoods, top entry | D10A-TE-2g-M20 D10A-TE-2g-PG13.5 | M20 PG13.5 |  |
|  | Hoods, top entry, high construction | D10A-TEH-2g-M25 D10A-TEH-2g-PG16 D10A-TEH-2g-PG21 | M25 PG16 PG21 |  |
|  | Housings, bulkhead mounting | D10A-BK-1L With plastic cover D10A-BK-1L-CV With metal cover D10A-BK-1L-MCV | - - |  |
|  | Housings, surface mounting | D10A-SF-1L-M20 D10A-SF-1L-2M20 D10A-SF-1L-M25 D10A-SF-1L-PG16 D10A-SF-1L-2PG16 D10A-SF-1L-PG21 With plastic cover D10A-SF-1L-CV-M20 D10A-SF-1L-CV-2M20 D10A-SF-1L-CV-M25 D10A-SF-1L-CV-PG16 D10A-SF-1L-CV-2PG16 D10A-SF-1L-CV-PG21 With metal cover D10A-SF-1L-MCV-M20 D10A-SF-1L-MCV-2M20 D10A-SF-1L-MCV-M25 D10A-SF-1L-MCV-PG16 D10A-SF-1L-MCV-2PG16 D10A-SF-1L-MCV-PG21 | M20 2 X M20 M25 PG16 2 X PG16 PG21 M20 2 X M20 M25 PG16 2 X PG16 PG21 M20 2 X M20 M25 PG16 2 X PG16 PG21 |  |
|  | For hoods | D10A-MCV-1L/1S D10A-MCV-1L/2S | Connect way |  |
|  | For housings | D10A-MCV-2g/1S D10A-MCV-2g/2S | Connect way |  |

D16A Metal Hoods & Housings

Degree of protection : IP65

| Hoods & Housings | Description | Type | Thread | Drawing |
|------------------|--------------------------------------|---|--|---------|
| | Hoods, side entry | D16A-SE-2g-M20 D16A-SE-2g-PG16 | M20 PG16 | |
| | Hoods, side entry, high construction | D16A-SEH-2g-M25 D16A-SEH-2g-PG16 D16A-SEH-2g-PG21 | M25 PG16 PG21 | |
| | Hoods, top entry | D16A-TE-2g-M20 D16A-TE-2g-PG16 | M20 PG16 | |
| | Hoods, top entry, high construction | D16A-TEH-2g-M25 D16A-TEH-2g-PG16 D16A-TEH-2g-PG21 | M25 PG16 PG21 | |
| | Housings, bulkhead mounting | D16A-BK-1L With plastic cover D16A-BK-1L-CV With metal cover D16A-BK-1L-MCV | -- -- -- | |
| | Housings, surface mounting | D16A-SF-1L-M20 D16A-SF-1L-2M20 D16A-SF-1L-M25 D16A-SF-1L-2M25 D16A-SF-1L-PG16 D16A-SF-1L-2PG16 D16A-SF-1L-PG21 With plastic cover D16A-SF-1L-CV-M20 D16A-SF-1L-CV-2M20 D16A-SF-1L-CV-M25 D16A-SF-1L-CV-2M25 D16A-SF-1L-CV-PG16 D16A-SF-1L-CV-2PG16 D16A-SF-1L-CV-PG21 With metal cover D16A-SF-1L-MCV-M20 D16A-SF-1L-MCV-2M20 D16A-SF-1L-MCV-M25 D16A-SF-1L-MCV-2M25 D16A-SF-1L-MCV-PG16 D16A-SF-1L-MCV-2PG16 D16A-SF-1L-MCV-PG21 | M20 2 x M20 M25 2 x M25 PG16 2 x PG16 PG21 M20 2 x M20 M25 2 x M25 PG16 2 x PG16 PG21 M20 2 x M20 M25 2 x M25 PG16 2 x PG16 PG21 | |
| | For hoods | D16A-MCV-1L/1S D16A-MCV-1L/2S | Connect way | |
| | For housings | D16A-MCV-2g/1S D16A-MCV-2g/2S | Connect way | |

D32A Metal Hoods & Housings

Degree of protection : IP65

| Hoods & Housings | Description | Type | Thread | Drawing |
|------------------|---|---|---|---------|
| | Hoods, side entry | D32A-SE-4g-M25 D32A-SE-4g-PG21 | M25 PG21 | |
| | Hoods, side entry, high construction | D32A-SEH-4g-M32 D32A-SEH-4g-PG21 D32A-SEH-4g-PG29 | M32 PG21 PG29 | |
| | Hoods, top entry, high construction | D32A-TEH-4g-M25 D32A-TEH-4g-M32 D32A-TEH-4g-PG21 D32A-TEH-4g-PG29 | M25 M32 PG21 PG29 | |
| | Housings, bulkhead mounting | D32A-BK-2L | -- | |
| | Housings, surface mounting | D32A-SF-2L-M25 D32A-SF-2L-M32 D32A-SF-2L-2M32 D32A-SF-2L-PG21 D32A-SF-2L-2PG21 D32A-SF-2L-PG29 D32A-SF-2L-2PG29 | M25 M32 2 x M32 PG21 2 x PG21 PG29 2 x PG29 | |
| | For hoods | D32A-CV-4C | -- | |
| | For cable to cable housings For housings | D32A-CV-4g/1S D32A-CV-4g/2S | Connect way | |

D32A Metal Hoods & Housings

Degree of protection : IP65

| Hoods & Housings | Description | Type | Thread | Drawing |
|------------------|--------------------------------------|--|---|---------|
| | Hoods, side entry | D32A-SE-2L-M25 D32A-SE-2L-PG21 | M25 PG21 | |
| | Hoods, side entry, high construction | D32A-SEH-2L-M32 D32A-SEH-2L-PG21 D32A-SEH-2L-PG29 | M32 PG21 PG29 | |
| | Hoods, top entry, high construction | D32A-TEH-2L-M25 D32A-TEH-2L-M32 D32A-TEH-2L-PG21 D32A-TEH-2L-PG29 | M25 M32 PG21 PG29 | |
| | Housings, bulkhead mounting | D32A-BK-4g With plastic cover D32A-BK-4g-CV With metal cover D32A-BK-4g-MCV | - - - | |
| | Housings, surface mounting | D32A-SF-4g-M25 D32A-SF-4g-M32 D32A-SF-4g-2M32 D32A-SF-4g-PG21 D32A-SF-4g-2PG21 D32A-SF-4g-PG29 D32A-SF-4g-2PG29 With plastic cover D32A-SF-4g-CV-M25 D32A-SF-4g-CV-M32 D32A-SF-4g-CV-2M32 D32A-SF-4g-CV-PG21 D32A-SF-4g-CV-2PG21 D32A-SF-4g-CV-PG29 D32A-SF-4g-CV-2PG29 With metal cover D32A-SF-4g-MCV-M25 D32A-SF-4g-MCV-M32 D32A-SF-4g-MCV-2M32 D32A-SF-4g-MCV-PG21 D32A-SF-4g-MCV-2PG21 D32A-SF-4g-MCV-PG29 D32A-SF-4g-MCV-2PG29 | M25 M32 2 x M32 PG21 2 x PG21 PG29 2 x PG29 M25 M32 2 x M32 PG21 2 x PG21 PG29 2 x PG29 M25 M32 2 x M32 PG21 2 x PG21 PG29 2 x PG29 | |

D6B Metal Hoods & Housings

Degree of protection : IP65

| Hoods & Housings | Description | Type | Thread | Drawing |
|------------------|--|--|------------------------------|---------|
| | Hoods, side entry | D6B-SE-2g-M20 D6B-SE-2g-M25 D6B-SE-2g-PG13.5 D6B-SE-2g-PG16 | M20 M25 PG13.5 PG16 | |
| | Hoods, side entry, high construction | D6B-SEH-2g-M25 D6B-SEH-2g-M32 D6B-SEH-2g-PG21 D6B-SEH-2g-PG29 | M25 M32 PG21 PG29 | |
| | Hoods, top entry | D6B-TE-2g-M20 D6B-TE-2g-PG13.5 D6B-TE-2g-PG16 | M20 PG13.5 PG16 | |
| | Hoods, top entry, high construction | D6B-TEH-2g-M25 D6B-TEH-2g-M32 D6B-TEH-2g-PG21 | M25 M32 PG21 | |
| | Housings, cable to cable | D6B-CCT-1L-M20 D6B-CCT-1L-PG13.5 D6B-CCT-1L-PG16 | M20 PG13.5 PG16 | |
| | Housings, cable to cable high construction | D6B-CCTH-1L-M25 D6B-CCTH-1L-M32 D6B-CCTH-1L-PG21 | M25 M32 PG21 | |

D6B Metal Hoods & Housings

Degree of protection : IP65

| Hoods & Housings | Description | Type | Thread | Drawing |
|------------------|---|--|--|---------|
| | Housings, bulkhead mounting | D6B-BK-1L With plastic cover D6B-BK-1L-CV With metal cover D6B-BK-1L-MCV | -- | |
| | Housings, surface mounting | D6B-SF-1L-M20 D6B-SF-1L-2M20 D6B-SF-1L-M25 D6B-SF-1L-2M25 D6B-SF-1L-PG13.5 D6B-SF-1L-2PG13.5 D6B-SF-1L-PG16 D6B-SF-1L-2PG16 With plastic cover D6B-SF-1L-CV-M20 D6B-SF-1L-CV-2M20 D6B-SF-1L-CV-M25 D6B-SF-1L-CV-2M25 D6B-SF-1L-CV-PG13.5 D6B-SF-1L-CV-2PG13.5 D6B-SF-1L-CV-PG16 D6B-SF-1L-CV-2PG16 With metal cover D6B-SF-1L-MCV-M20 D6B-SF-1L-MCV-2M20 D6B-SF-1L-MCV-M25 D6B-SF-1L-MCV-2M25 D6B-SF-1L-MCV-PG13.5 D6B-SF-1L-MCV-2PG13.5 D6B-SF-1L-MCV-PG16 D6B-SF-1L-MCV-2PG16 | M20 2M20 M25 2M25 PG13.5 2PG13.5 PG16 2PG16 M20 2M20 M25 2M25 PG13.5 2PG13.5 PG16 2PG16 M20 2M20 M25 2M25 PG13.5 2PG13.5 PG16 2PG16 | |
| | Housings, surface mounting high construction | D6B-SFH-1L-M25 D6B-SFH-1L-2M25 D6B-SFH-1L-M32 D6B-SFH-1L-2M32 D6B-SFH-1L-PG21 D6B-SFH-1L-2PG21 D6B-SFH-1L-PG29 D6B-SFH-1L-2PG29 With plastic cover D6B-SFH-1L-CV-M25 D6B-SFH-1L-CV-2M25 D6B-SFH-1L-CV-M32 D6B-SFH-1L-CV-2M32 D6B-SFH-1L-CV-PG21 D6B-SFH-1L-CV-2PG21 D6B-SFH-1L-CV-PG29 D6B-SFH-1L-CV-2PG29 With metal cover D6B-SFH-1L-MCV-M25 D6B-SFH-1L-MCV-2M25 D6B-SFH-1L-MCV-M32 D6B-SFH-1L-MCV-2M32 D6B-SFH-1L-MCV-PG21 D6B-SFH-1L-MCV-2PG21 D6B-SFH-1L-MCV-PG29 D6B-SFH-1L-MCV-2PG29 | M25 2M25 M32 2M32 PG21 2PG21 PG29 2PG29 M25 2M25 M32 2M32 PG21 2PG21 PG29 2PG29 M25 2M25 M32 2M32 PG21 2PG21 PG29 2PG29 | |

DP6B Metal Hoods & Housings

Degree of protection : IP68

| Hoods & Housings | Description | Type | Thread | Drawing |
|------------------|---|---|---|---------|
| | Hoods, side entry, high construction | DP6B-SEH-2S-M20-00A(H) DP6B-SEH-2S-M25-00A(H) DP6B-SEH-2S-M32-00A(H) DP6B-SEH-2S-PG16-00A(H) DP6B-SEH-2S-PG21-00A(H) | M20 M25 M32 PG16 PG21 | |
| | Hoods, top entry, high construction | DP6B-TEH-2S-M20-00A(H) DP6B-TEH-2S-M25-00A(H) DP6B-TEH-2S-M32-00A(H) DP6B-TEH-2S-PG16-00A(H) DP6B-TEH-2S-PG21-00A(H) DP6B-TEH-2S-PG29-00A(H) | M20 M25 M32 PG16 PG21 PG29 | |
| | Housings, bulkhead mounting | DP6B-BK/S-2H-00A(H) | -- | |

D10B Metal Hoods & Housings

Degree of protection : IP65

| Hoods & Housings | Description | Type | Thread | Drawing |
|------------------|--|--|----------------------------|---------|
| | Hoods, side entry | D10B-SE-2g-M20 D10B-SE-2g-M25 D10B-SE-2g-PG16 | M20 M25 PG16 | |
| | Hoods, side entry, high construction | D10B-SEH-2g-M25 D10B-SEH-2g-M32 D10B-SEH-2g-PG21 D10B-SEH-2g-PG29 | M25 M32 PG21 PG29 | |
| | Hoods, top entry | D10B-TE-2g-M20 D10B-TE-2g-M25 D10B-TE-2g-PG16 | M20 M25 PG16 | |
| | Hoods, top entry, high construction | D10B-TEH-2g-M25 D10B-TEH-2g-M32 D10B-TEH-2g-PG21 D10B-TEH-2g-PG29 | M25 M32 PG21 PG29 | |
| | Housings, cable to cable | D10B-CCT-1L-M20 D10B-CCT-1L-M25 D10B-CCT-1L-PG16 | M20 M25 PG16 | |
| | Housings, cable to cable high construction | D10B-CCTH-1L-M25 D10B-CCTH-1L-M32 D10B-CCTH-1L-PG21 D10B-CCTH-1L-PG29 | M25 M32 PG21 PG29 | |

D10B Metal Hoods & Housings

Degree of protection : IP65

| Hoods & Housings | Description | Type | Thread | Drawing |
|------------------|--|--|--|---------|
| | Housings, bulkhead mounting | D10B-BK-1L With plastic cover D10B-BK-1L-CV With metal cover D10B-BK-1L-MCV | -- -- -- | |
| | Housings, surface mounting | D10B-SF-1L-M20 D10B-SF-1L-2M20 D10B-SF-1L-M25 D10B-SF-1L-2M25 D10B-SF-1L-PG16 D10B-SF-1L-2PG16 With plastic cover D10B-SF-1L-CV-M20 D10B-SF-1L-CV-2M20 D10B-SF-1L-CV-M25 D10B-SF-1L-CV-2M25 D10B-SF-1L-CV-PG16 D10B-SF-1L-CV-2PG16 With metal cover D10B-SF-1L-MCV-M20 D10B-SF-1L-MCV-2M20 D10B-SF-1L-MCV-M25 D10B-SF-1L-MCV-2M25 D10B-SF-1L-MCV-PG16 D10B-SF-1L-MCV-2PG16 | M20 2M20 M25 2M25 PG16 2PG16 M20 2M20 M25 2M25 PG16 2PG16 M20 2M20 M25 2M25 PG16 2PG16 | |
| | Housings, surface mounting high construction | D10B-SFH-1L-M25 D10B-SFH-1L-2M25 D10B-SFH-1L-M32 D10B-SFH-1L-2M32 D10B-SFH-1L-PG21 D10B-SFH-1L-2PG21 D10B-SFH-1L-PG29 D10B-SFH-1L-2PG29 With plastic cover D10B-SFH-1L-CV-M25 D10B-SFH-1L-CV-2M25 D10B-SFH-1L-CV-M32 D10B-SFH-1L-CV-2M32 D10B-SFH-1L-CV-PG21 D10B-SFH-1L-CV-2PG21 D10B-SFH-1L-CV-PG29 D10B-SFH-1L-CV-2PG29 With metal cover D10B-SFH-1L-MCV-M25 D10B-SFH-1L-MCV-2M25 D10B-SFH-1L-MCV-M32 D10B-SFH-1L-MCV-2M32 D10B-SFH-1L-MCV-PG21 D10B-SFH-1L-MCV-2PG21 D10B-SFH-1L-MCV-PG29 D10B-SFH-1L-MCV-2PG29 | M25 2M25 M32 2M32 PG21 2PG21 PG29 2PG29 M25 2M25 M32 2M32 PG21 2PG21 PG29 2PG29 M25 2M25 M32 2M32 PG21 2PG21 PG29 2PG29 | |

D10B Metal Hoods & Housings

Degree of protection : IP65

| Hoods & Housings | Description | Type | Thread | Drawing |
|------------------|--------------------------------------|---|---|---------|
| | Hoods, side entry | D10B-SE-4g-M20 D10B-SE-4g-M25 D10B-SE-4g-PG16 | M20 M25 PG16 | |
| | Hoods, side entry, high construction | D10B-SEH-4g-M25 D10B-SEH-4g-M32 D10B-SEH-4g-PG21 D10B-SEH-4g-PG29 | M25 M32 PG21 PG29 | |
| | Hoods, top entry | D10B-TE-4g-M20 D10B-TE-4g-M25 D10B-TE-4g-PG16 | M20 M25 PG16 | |
| | Hoods, top entry, high construction | D10B-TEH-4g-M25 D10B-TEH-4g-M32 D10B-TEH-4g-PG21 D10B-TEH-4g-PG29 | M25 M32 PG21 PG29 | |
| | Housings, bulkhead mounting | D10B-BK-2L | - | |
| | Housings, surface mounting | D10B-SF-2L-M20 D10B-SF-2L-2M20 D10B-SF-2L-M25 D10B-SF-2L-2M25 D10B-SF-2L-PG16 D10B-SF-2L-2PG16 | M20 2M20 M25 2M25 PG16 2PG16 | |


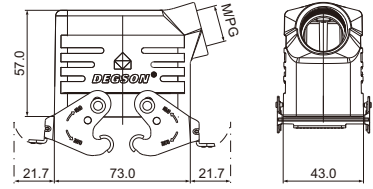

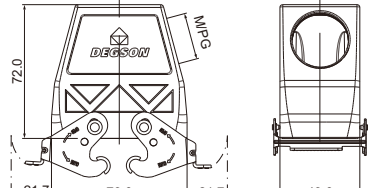

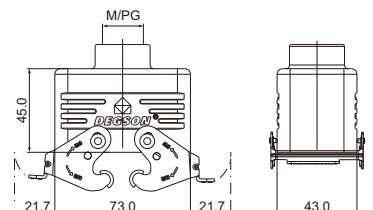

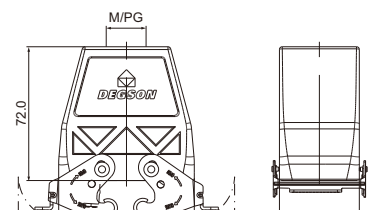

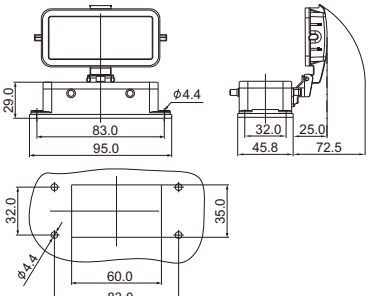
D10B Metal Hoods & Housings

Degree of protection : IP65

| Hoods & Housings | Description | Type | Thread | Drawing |
|------------------|--|--|--|---------|
| | Housings, surface mounting high construction | D10B-SFH-2L-M25 D10B-SFH-2L-2M25 D10B-SFH-2L-M32 D10B-SFH-2L-2M32 D10B-SFH-2L-PG21 D10B-SFH-2L-2PG21 D10B-SFH-2L-PG29 D10B-SFH-2L-2PG29 | M25 2M25 M32 2M32 PG21 2PG21 PG29 2PG29 | |
| | Housings, cable to cable | D10B-CCT-2L-M20 D10B-CCT-2L-M25 D10B-CCT-2L-PG16 | M20 M25 PG16 | |
| | Housings, cable to cable high construction | D10B-CCTH-2L-M25 D10B-CCTH-2L-M32 D10B-CCTH-2L-PG21 D10B-CCTH-2L-PG29 | M25 M32 PG21 PG29 | |
| | Protection | With plastic cover D10B-CV-4C | - | |
| | Protection | With plastic cover D10B-CV-4g/1S D10B-CV-4g/2S With metal cover D10B-MCV-4g/1S D10B-MCV-4g/2S | 1S 2S | |


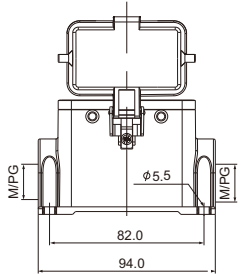
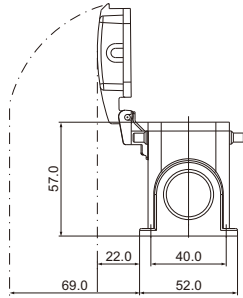

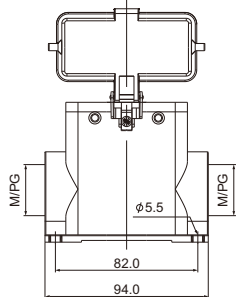
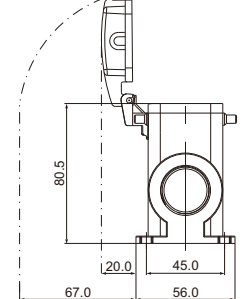
D10B Metal Hoods & Housings

Degree of protection : IP65

| Hoods & Housings | Description | Type | Thread | Drawing |
|---|--------------------------------------|---|----------------------------|---|
|  | Hoods, side entry | D10B-SE-2L-M20 D10B-SE-2L-M25 D10B-SE-2L-PG16 | M20 M25 PG16 |  |
|  | Hoods, side entry, high construction | D10B-SEH-2L-M25 D10B-SEH-2L-M32 D10B-SEH-2L-PG21 D10B-SEH-2L-PG29 | M25 M32 PG21 PG29 |  |
|  | Hoods, top entry | D10B-TE-2L-M20 D10B-TE-2L-M25 D10B-TE-2L-PG16 | M20 M25 PG16 |  |
|  | Hoods, top entry, high construction | D10B-TEH-2L-M25 D10B-TEH-2L-M32 D10B-TEH-2L-PG21 D10B-TEH-2L-PG29 | M25 M32 PG21 PG29 |  |
|  | Housings, bulkhead mounting | D10B-BK-4g With plastic cover D10B-BK-4g-CV With metal cover D10B-BK-4g-MCV | - |  |

D10B Metal Hoods & Housings

Degree of protection : IP65

| Hoods & Housings | Description | Type | Thread | Drawing |
|---|--|--|--|--|
|  | Housings, surface mounting | D10B-SF-4g-M20 D10B-SF-4g-2M20 D10B-SF-4g-M25 D10B-SF-4g-2M25 D10B-SF-4g-PG16 D10B-SF-4g-2PG16 With plastic cover D10B-SF-4g-CV-M20 D10B-SF-4g-CV-2M20 D10B-SF-4g-CV-M25 D10B-SF-4g-CV-2M25 D10B-SF-4g-CV-PG16 D10B-SF-4g-CV-2PG16 With metal cover D10B-SF-4g-MCV-M20 D10B-SF-4g-MCV-2M20 D10B-SF-4g-MCV-M25 D10B-SF-4g-MCV-2M25 D10B-SF-4g-MCV-PG16 D10B-SF-4g-MCV-2PG16 | M20 2M20 M25 2M25 PG16 2PG16 M20 2M20 M25 2M25 PG16 2PG16 |   |
|  | Housings, surface mounting high construction | D10B-SFH-4g-M25 D10B-SFH-4g-2M25 D10B-SFH-4g-M32 D10B-SFH-4g-2M32 D10B-SFH-4g-PG21 D10B-SFH-4g-2PG21 D10B-SFH-4g-PG29 D10B-SFH-4g-2PG29 With plastic cover D10B-SFH-4g-CV-M25 D10B-SFH-4g-CV-2M25 D10B-SFH-4g-CV-M32 D10B-SFH-4g-CV-2M32 D10B-SFH-4g-CV-PG21 D10B-SFH-4g-CV-2PG21 D10B-SFH-4g-CV-PG29 D10B-SFH-4g-CV-2PG29 With metal cover D10B-SFH-4g-MCV-M25 D10B-SFH-4g-MCV-2M25 D10B-SFH-4g-MCV-M32 D10B-SFH-4g-MCV-2M32 D10B-SFH-4g-MCV-PG21 D10B-SFH-4g-MCV-2PG21 D10B-SFH-4g-MCV-PG29 D10B-SFH-4g-MCV-2PG29 | M25 2M25 M32 2M32 PG21 2PG21 PG29 2PG29 M25 2M25 M32 2M32 PG21 2PG21 PG29 2PG29 M25 2M25 M32 2M32 PG21 2PG21 PG29 2PG29 |   |

D16B Metal Hoods & Housings

Degree of protection : IP65

| Hoods & Housings | Description | Type | Thread | Drawing |
|------------------|--|--|----------------------------|---------|
| | Hoods, side entry | D16B-SE-2g-M25 D16B-SE-2g-M32 D16B-SE-2g-PG21 | M25 M32 PG21 | |
| | Hoods, side entry, high construction | D16B-SEH-2g-M32 D16B-SEH-2g-M40 D16B-SEH-2g-PG21 D16B-SEH-2g-PG29 | M32 M40 PG21 PG29 | |
| | Hoods, top entry | D16B-TE-2g-M25 D16B-TE-2g-M32 D16B-TE-2g-PG21 | M25 M32 PG21 | |
| | Hoods, top entry, high construction | D16B-TEH-2g-M32 D16B-TEH-2g-M40 D16B-TEH-2g-PG21 D16B-TEH-2g-PG29 | M32 M40 PG21 PG29 | |
| | Housings, cable to cable | D16B-CCT-1L-M25 D16B-CCT-1L-M32 D16B-CCT-1L-PG21 | M25 M32 PG21 | |
| | Housings, cable to cable high construction | D16B-CCTH-1L-M32 D16B-CCTH-1L-M40 D16B-CCTH-1L-PG21 D16B-CCTH-1L-PG29 | M32 M40 PG21 PG29 | |

D16B 金属外壳 Metal Hoods & Housings

防护等级 Degree of protection : IP65

| 外壳 Hoods & Housings | 描述 Description | 型号 Type | 螺纹 Thread | 图纸 Drawing |
|---------------------|--|---|---|------------|
| | Housings, bulkhead mounting | D16B-BK-1L With plastic cover D16B-BK-1L-CV With metal cover D16B-BK-1L-MCV | -- -- -- | |
| | Housings, surface mounting | D16B-SF-1L-M25 D16B-SF-1L-2M25 D16B-SF-1L-PG21 D16B-SF-1L-2PG21 With plastic cover D16B-SF-1L-CV-M25 D16B-SF-1L-CV-2M25 D16B-SF-1L-CV-PG21 D16B-SF-1L-CV-2PG21 With metal cover D16B-SF-1L-MCV-M25 D16B-SF-1L-MCV-2M25 D16B-SF-1L-MCV-PG21 D16B-SF-1L-MCV-2PG21 | M25 2M25 PG21 2PG21 M25 2M25 PG21 2PG21 M25 2M25 PG21 2PG21 | |
| | Housings, surface mounting high construction | D16B-SFH-1L-M32 D16B-SFH-1L-2M32 D16B-SFH-1L-PG21 D16B-SFH-1L-2PG21 D16B-SFH-1L-PG29 D16B-SFH-1L-2PG29 With plastic cover D16B-SFH-1L-CV-M32 D16B-SFH-1L-CV-2M32 D16B-SFH-1L-CV-PG21 D16B-SFH-1L-CV-2PG21 D16B-SFH-1L-CV-PG29 D16B-SFH-1L-CV-2PG29 With metal cover D16B-SFH-1L-MCV-M32 D16B-SFH-1L-MCV-2M32 D16B-SFH-1L-MCV-PG21 D16B-SFH-1L-MCV-2PG21 D16B-SFH-1L-MCV-PG29 D16B-SFH-1L-MCV-2PG29 | M32 2M32 PG21 2PG21 PG29 2PG29 M32 2M32 PG21 2PG21 PG29 2PG29 M32 2M32 PG21 2PG21 PG29 2PG29 | |

D16B Metal Hoods & Housings

Degree of protection : IP65

| Hoods & Housings | Description | Type | Thread | Drawing |
|------------------|--------------------------------------|--|------------------------------|---------|
| | Hoods, side entry | D16B-SE-4g-M25 D16B-SE-4g-M32 D16B-SE-4g-PG21 | M25 M32 PG21 | |
| | Hoods, side entry, high construction | D16B-SEH-4g-M32 D16B-SEH-4g-M40 D16B-SEH-4g-PG21 D16B-SEH-4g-PG29 | M32 M40 PG21 PG29 | |
| | Hoods, top entry | D16B-TE-4g-M25 D16B-TE-4g-M32 D16B-TE-4g-PG21 | M25 M32 PG21 | |
| | Hoods, top entry, high construction | D16B-TEH-4g-M32 D16B-TEH-4g-M40 D16B-TEH-4g-PG21 D16B-TEH-4g-PG29 | M32 M40 PG21 PG29 | |
| | Housings, bulkhead mounting | D16B-BK-2L | - | |
| | Housings, surface mounting | D16B-SF-2L-M25 D16B-SF-2L-2M25 D16B-SF-2L-PG21 D16B-SF-2L-2PG21 | M25 2M25 PG16 2PG16 | |


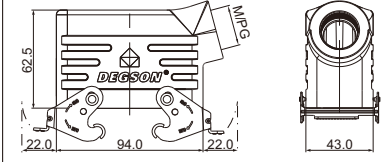

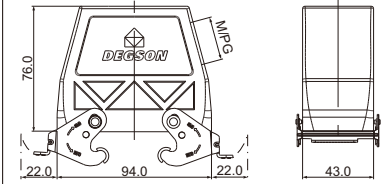

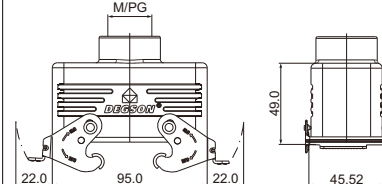

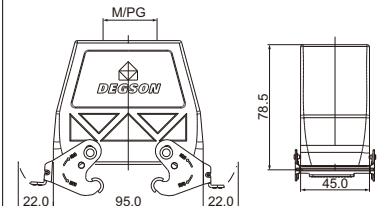

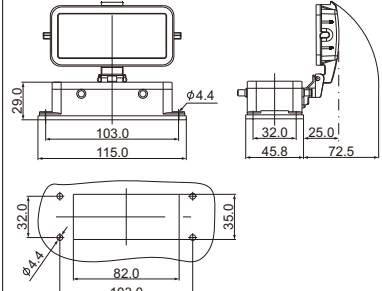
D16B Metal Hoods & Housings

Degree of protection : IP65

| Hoods & Housings | Description | Type | Thread | Drawing |
|------------------|--|--|--|---------|
| | Housings, surface mounting high construction | D16B-SFH-2L-M25 D16B-SFH-2L-2M25 D16B-SFH-2L-M32 D16B-SFH-2L-2M32 D16B-SFH-2L-PG21 D16B-SFH-2L-2PG21 D16B-SFH-2L-PG29 D16B-SFH-2L-2PG29 | M25 2M25 M32 2M32 PG21 2PG21 PG29 2PG29 | |
| | Housings, cable to cable | D16B-CCT-2L-M25 D16B-CCT-2L-M32 D16B-CCT-2L-PG21 | M25 M32 PG21 | |
| | Housings, cable to cable high construction | D16B-CCTH-2L-M32 D16B-CCTH-2L-M40 D16B-CCTH-2L-PG21 D16B-CCTH-2L-PG29 | M32 M40 PG21 PG29 | |
| | Protection | With plastic cover D16B-CV-4C | - | |
| | Protection | With plastic cover D16B-CV-4g/1S D16B-CV-4g/2S | 1S 2S | |
| | Protection | With metal cover D16B-MCV-4g/1S D16B-MCV-4g/2S | 1S 2S | |


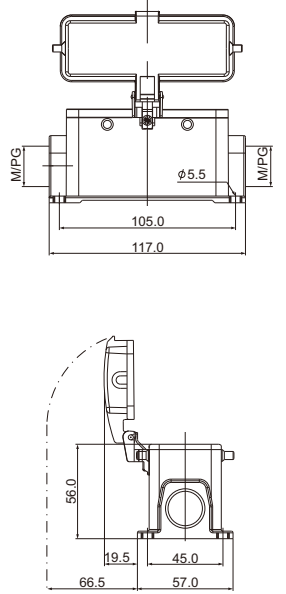

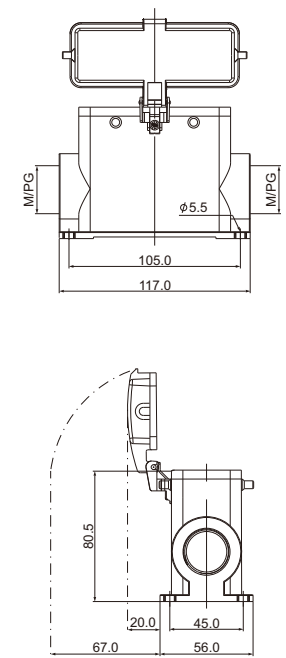
D16B Metal Hoods & Housings

Degree of protection : IP65

| Hoods & Housings | Description | Type | Thread | Drawing |
|---|--------------------------------------|---|----------------------------|--|
|  | Hoods, side entry | D16B-SE-2L-M25 D16B-SE-2L-M32 D16B-SE-2L-PG21 | M25 M32 PG21 |  |
|  | Hoods, side entry, high construction | D16B-SEH-2L-M32 D16B-SEH-2L-M40 D16B-SEH-2L-PG21 D16B-SEH-2L-PG29 | M32 M40 PG21 PG29 |  |
|  | Hoods, top entry | D16B-TE-2L-M25 D16B-TE-2L-M32 D16B-TE-2L-PG21 | M25 M32 PG21 |  |
|  | Hoods, top entry, high construction | D16B-TEH-2L-M32 D16B-TEH-2L-M40 D16B-TEH-2L-PG21 D16B-TEH-2L-PG29 | M32 M40 PG21 PG29 |  |
|  | Housings, bulkhead mounting | D16B-BK-4g With plastic cover D16B-BK-4g-CV With metal cover D16B-BK-4g-MCV | - - - |  |


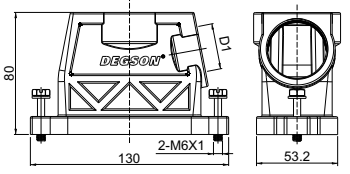

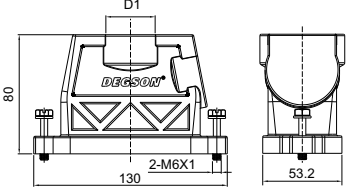

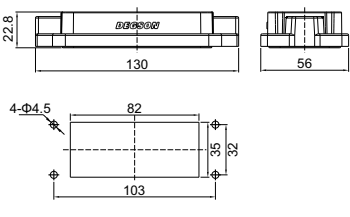
D16B Metal Hoods & Housings

Degree of protection : IP65

| Hoods & Housings | Description | Type | Thread | Drawing |
|---|--|---|---|---|
|  | Housings, surface mounting | D16B-SF-4g-M25 D16B-SF-4g-2M25 D16B-SF-4g-PG21 D16B-SF-4g-2PG21 With plastic cover D16B-SF-4g-CV-M25 D16B-SF-4g-CV-2M25 D16B-SF-4g-CV-PG21 D16B-SF-4g-CV-2PG21 With metal cover D16B-SF-4g-MCV-M25 D16B-SF-4g-MCV-2M25 D16B-SF-4g-MCV-PG21 D16B-SF-4g-MCV-2PG21 | M25 2M25 PG21 2PG21 M25 2M25 PG21 2PG21 M25 2M25 PG21 2PG21 |  |
|  | Housings, surface mounting high construction | D16B-SFH-4g-M32 D16B-SFH-4g-2M32 D16B-SFH-4g-PG21 D16B-SFH-4g-2PG21 D16B-SFH-4g-PG29 D16B-SFH-4g-2PG29 With plastic cover D16B-SFH-4g-CV-M32 D16B-SFH-4g-CV-2M32 D16B-SFH-4g-CV-PG21 D16B-SFH-4g-CV-2PG21 D16B-SFH-4g-CV-PG29 D16B-SFH-4g-CV-2PG29 With metal cover D16B-SFH-4g-MCV-M32 D16B-SFH-4g-MCV-2M32 D16B-SFH-4g-MCV-PG21 D16B-SFH-4g-MCV-2PG21 D16B-SFH-4g-MCV-PG29 D16B-SFH-4g-MCV-2PG29 | M32 2M32 PG21 2PG21 PG29 2PG29 M32 2M32 PG21 2PG21 PG29 2PG29 M32 2M32 PG21 2PG21 PG29 2PG29 |  |


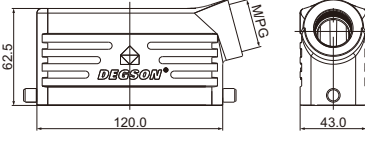

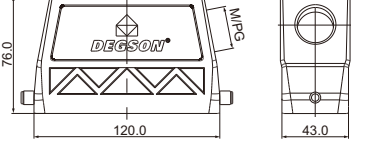

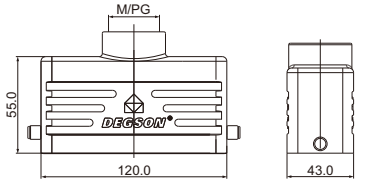

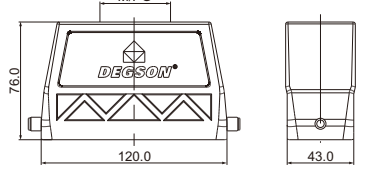

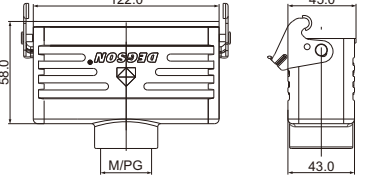

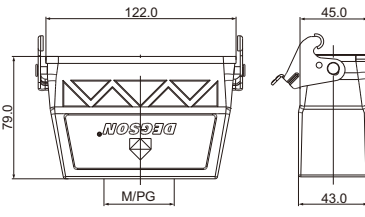
DP16B Metal Hoods & Housings

Degree of protection : IP68

| Hoods & Housings | Description | Type | Thread | Drawing |
|---|--------------------------------------|--|--|---|
|  | Hoods, side entry, high construction | DP16B-SEH-2S-M25-00A(H) DP16B-SEH-2S-M32-00A(H) DP16B-SEH-2S-M40-00A(H) DP16B-SEH-2S-PG21-00A(H) DP16B-SEH-2S-PG29-00A(H) | M25 M32 M40 PG21 PG29 |  |
|  | Hoods, top entry, high construction | DP16B-TEH-2S-M25-00A(H) DP16B-TEH-2S-M32-00A(H) DP16B-TEH-2S-M40-00A(H) DP16B-TEH-2S-M50-00A(H) DP16B-TEH-2S-PG21-00A(H) DP16B-TEH-2S-PG29-00A(H) | M25 M32 M40 M50 PG21 PG29 |  |
|  | Housings, bulkhead mounting | DP16B-BK/S-2H-00A(H) | - |  |


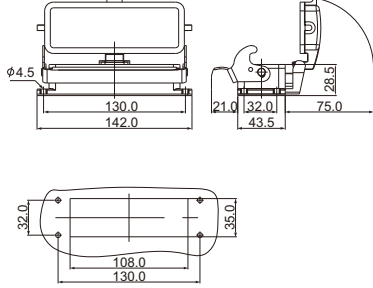

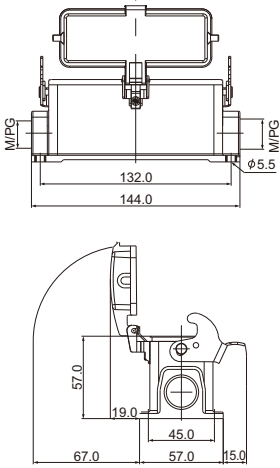

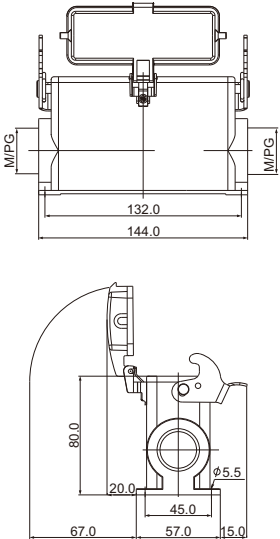
D24B Metal Hoods & Housings

Degree of protection : IP65

| Hoods & Housings | Description | Type | Thread | Drawing |
|---|--|--|----------------------------|---|
|  | Hoods, side entry | D24B-SE-2g-M25 D24B-SE-2g-M32 D24B-SE-2g-PG21 | M25 M32 PG21 |  |
|  | Hoods, side entry, high construction | D24B-SEH-2g-M32 D24B-SEH-2g-M40 D24B-SEH-2g-PG21 D24B-SEH-2g-PG29 | M32 M40 PG21 PG29 |  |
|  | Hoods, top entry | D24B-TE-2g-M25 D24B-TE-2g-M32 D24B-TE-2g-PG21 | M25 M32 PG21 |  |
|  | Hoods, top entry, high construction | D24B-TEH-2g-M32 D24B-TEH-2g-M40 D24B-TEH-2g-PG21 D24B-TEH-2g-PG29 | M32 M40 PG21 PG29 |  |
|  | Housings, cable to cable | D24B-CCT-1L-M25 D24B-CCT-1L-M32 D24B-CCT-1L-PG21 | M25 M32 PG21 |  |
|  | Housings, cable to cable high construction | D24B-CCTH-1L-M32 D24B-CCTH-1L-M40 D24B-CCTH-1L-PG21 D24B-CCTH-1L-PG29 | M32 M40 PG21 PG29 |  |


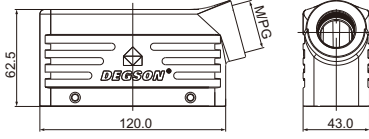

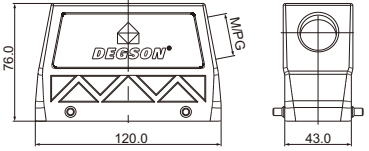

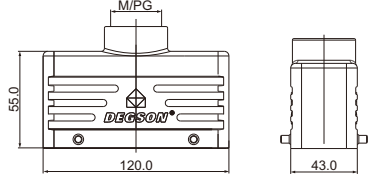

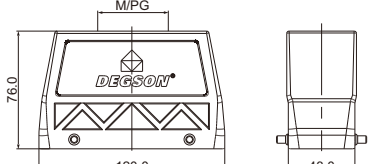

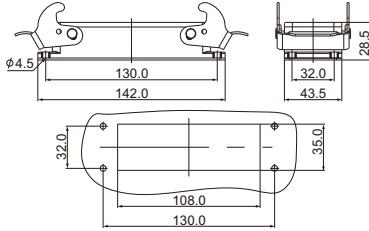

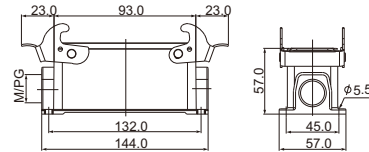
D24B Metal Hoods & Housings

Degree of protection : IP65

| Hoods & Housings | Description | Type | Thread | Drawing |
|---|--|---|---|---|
|  | Housings, bulkhead mounting | D24B-BK-1L With plastic cover D24B-BK-1L-CV With metal cover D24B-BK-1L-MCV | -- -- -- |  |
|  | Housings, surface mounting | D24B-SF-1L-M25 D24B-SF-1L-2M25 D24B-SF-1L-PG21 D24B-SF-1L-2PG21 With plastic cover D24B-SF-1L-CV-M25 D24B-SF-1L-CV-2M25 D24B-SF-1L-CV-PG21 D24B-SF-1L-CV-2PG21 With metal cover D24B-SF-1L-MCV-M25 D24B-SF-1L-MCV-2M25 D24B-SF-1L-MCV-PG21 D24B-SF-1L-MCV-2PG21 | M25 2M25 PG21 2PG21 M25 2M25 PG21 2PG21 M25 2M25 PG21 2PG21 |  |
|  | Housings, surface mounting high construction | D24B-SFH-1L-M32 D24B-SFH-1L-2M32 D24B-SFH-1L-PG21 D24B-SFH-1L-2PG21 D24B-SFH-1L-PG29 D24B-SFH-1L-2PG29 With plastic cover D24B-SFH-1L-CV-M32 D24B-SFH-1L-CV-2M32 D24B-SFH-1L-CV-PG21 D24B-SFH-1L-CV-2PG21 D24B-SFH-1L-CV-PG29 D24B-SFH-1L-CV-2PG29 With metal cover D24B-SFH-1L-MCV-M32 D24B-SFH-1L-MCV-2M32 D24B-SFH-1L-MCV-PG21 D24B-SFH-1L-MCV-2PG21 D24B-SFH-1L-MCV-PG29 D24B-SFH-1L-MCV-2PG29 | M32 2M32 PG21 2PG21 PG29 2PG29 M32 2M32 PG21 2PG21 PG29 2PG29 M32 2M32 PG21 2PG21 PG29 2PG29 |  |

D24B Metal Hoods & Housings

Degree of protection : IP65

| Hoods & Housings | Description | Type | Thread | Drawing |
|---|--------------------------------------|--|------------------------------|---|
|  | Hoods, side entry | D24B-SE-4g-M25 D24B-SE-4g-M32 D24B-SE-4g-PG21 | M25 M32 PG21 |  |
|  | Hoods, side entry, high construction | D24B-SEH-4g-M32 D24B-SEH-4g-M40 D24B-SEH-4g-PG21 D24B-SEH-4g-PG29 | M32 M40 PG21 Pg29 |  |
|  | Hoods, top entry | D24B-TE-4g-M25 D24B-TE-4g-M32 D24B-TE-4g-PG21 | M25 M32 PG21 |  |
|  | Hoods, top entry, high construction | D24B-TEH-4g-M32 D24B-TEH-4g-M40 D24B-TEH-4g-PG21 D24B-TEH-4g-PG29 | M32 M40 PG21 PG29 |  |
|  | Housings, bulkhead mounting | D24B-BK-2L | -- |  |
|  | Housings, surface mounting | D24B-SF-2L-M25 D24B-SF-2L-2M25 D24B-SF-2L-PG21 D24B-SF-2L-2PG21 | M25 2M25 PG16 2PG16 |  |

D24B Metal Hoods & Housings

Degree of protection : IP65

| Hoods & Housings | Description | Type | Thread | Drawing |
|------------------|---|---|---|---------|
| | Housings, surface mounting high construction | D24B-SFH-2L-M32 D24B-SFH-2L-2M32 D24B-SFH-2L-PG21 D24B-SFH-2L-2PG21 D24B-SFH-2L-PG29 D24B-SFH-2L-2PG29 | M32 2M32 PG21 2PG21 PG29 2PG29 | |
| | Housings, cable to cable | D24B-CCT-2L-M25 D24B-CCT-2L-M32 D24B-CCT-2L-PG21 | M25 M32 PG21 | |
| | Housings, cable to cable high construction | D24B-CCTH-2L-M32 D24B-CCTH-2L-M40 D24B-CCTH-2L-PG21 D24B-CCTH-2L-PG29 | M32 M40 PG21 PG29 | |
| | Protection | With plastic cover D24B-CV-4C | - | |
| | Protection | With plastic cover D24B-CV-4g/1S D24B-CV-4g/2S With metal cover D24B-MCV-4g/1S D24B-MCV-4g/2S | 1S 2S | |


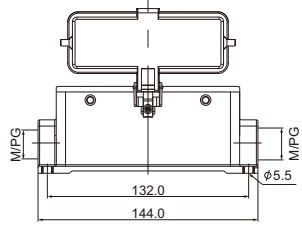
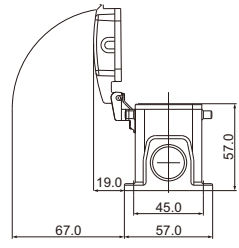

D24B Metal Hoods & Housings

Degree of protection : IP65

| Hoods & Housings | Description | Type | Thread | Drawing |
|------------------|---|---|----------------------------|---------|
| | Hoods, side entry | D24B-SE-2L-M25 D24B-SE-2L-M32 D24B-SE-2L-PG21 | M25 M32 PG21 | |
| | Hoods, side entry, high construction | D24B-SEH-2L-M32 D24B-SEH-2L-M40 D24B-SEH-2L-PG21 D24B-SEH-2L-PG29 | M32 M40 PG21 PG29 | |
| | Hoods, top entry | D24B-TE-2L-M25 D24B-TE-2L-M32 D24B-TE-2L-PG21 | M25 M32 PG21 | |
| | Hoods, top entry, high construction | D24B-TEH-2L-M32 D24B-TEH-2L-M40 D24B-TEH-2L-PG21 D24B-TEH-2L-PG29 | M32 M40 PG21 PG29 | |
| | Housings, bulkhead mounting | D24B-BK-4g With plastic cover D24B-BK-4g-CV With metal cover D24B-BK-4g-MCV | - - - | |


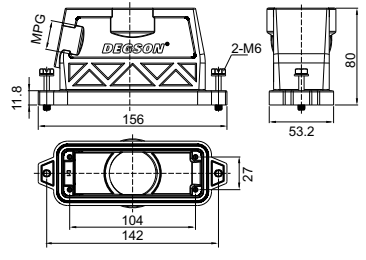

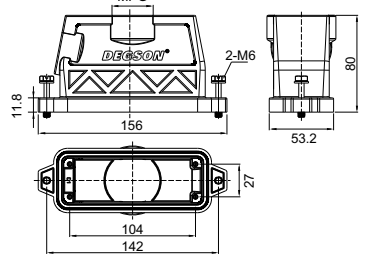

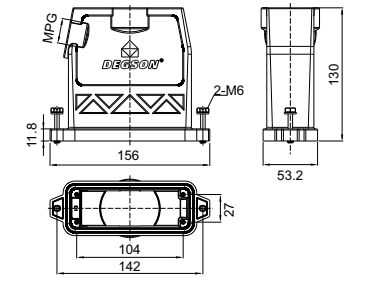

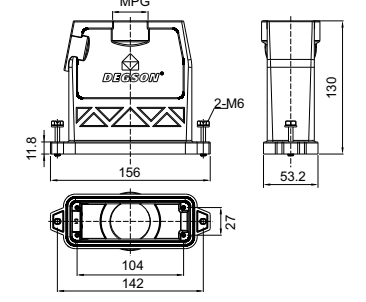

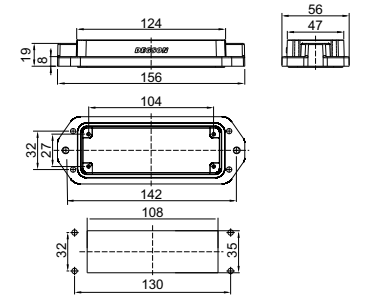
D24B Metal Hoods & Housings

Degree of protection : IP65

| Hoods & Housings | Description | Type | Thread | Drawing |
|---|---|---|---|--|
|  | Housings, surface mounting | D24B-SF-4g-M25 D24B-SF-4g-2M25 D24B-SF-4g-PG21 D24B-SF-4g-2PG21 | M25 2M25 PG21 2PG21 |  |
| | | With plastic cover D24B-SF-4g-CV-M25 D24B-SF-4g-CV-2M25 D24B-SF-4g-CV-PG21 D24B-SF-4g-CV-2PG21 | M25 2M25 PG21 2PG21 |  |
|  | Housings, surface mounting high construction | D24B-SFH-4g-M32 D24B-SFH-4g-2M32 D24B-SFH-4g-PG21 D24B-SFH-4g-2PG21 D24B-SFH-4g-PG29 D24B-SFH-4g-2PG29 | M32 2M32 PG21 2PG21 PG29 2PG29 | |
| | | With metal cover D24B-SFH-4g-MCV-M32 D24B-SFH-4g-MCV-2M32 D24B-SFH-4g-MCV-PG21 D24B-SFH-4g-MCV-2PG21 D24B-SFH-4g-MCV-PG29 D24B-SFH-4g-MCV-2PG29 | M32 2M32 PG21 2PG21 PG29 2PG29 | |


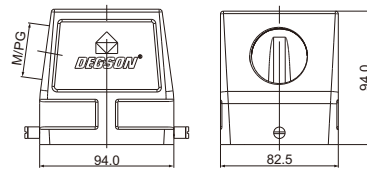

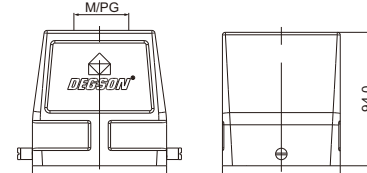

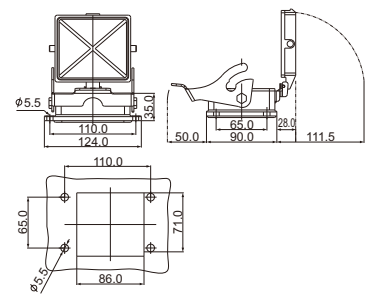

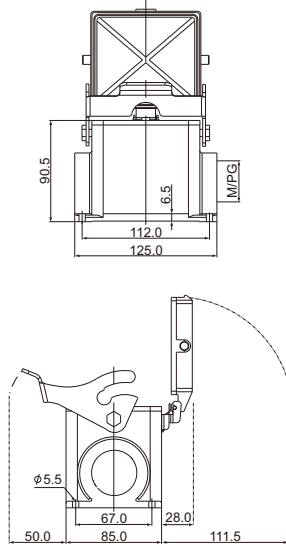
DP24B Metal Hoods & Housings

Degree of protection : IP68

| Hoods & Housings | Description | Type | Thread | Drawing |
|---|---|---|--|---|
|  | Hoods, side entry, high construction | DP24B-SEH-2S-M25-00A(H) DP24B-SEH-2S-M32-00A(H) DP24B-SEH-2S-M40-00A(H) DP24B-SEH-2S-PG21-00A(H) DP24B-SEH-2S-PG29-00A(H) | M25 M32 M40 PG21 PG29 |  |
|  | Hoods, top entry, high construction | DP24B-TEH-2S-M25-00A(H) DP24B-TEH-2S-M32-00A(H) DP24B-TEH-2S-M40-00A(H) DP24B-TEH-2S-M50-00A(H) DP24B-TEH-2S-PG21-00A(H) DP24B-TEH-2S-PG29-00A(H) DP24B-TEH-2S-PG36-00A(H) | M25 M32 M40 M50 PG21 PG29 PG36 |  |
|  | Hoods, side entry, high construction | DP24B-SEHH-2S-M25-00A(H) DP24B-SEHH-2S-M32-00A(H) DP24B-SEHH-2S-M40-00A(H) DP24B-SEHH-2S-PG21-00A(H) DP24B-SEHH-2S-PG29-00A(H) | M25 M32 M40 PG21 PG29 |  |
|  | Hoods, top entry, high construction | DP24B-TEHH-2S-M25-00A(H) DP24B-TEHH-2S-M32-00A(H) DP24B-TEHH-2S-M40-00A(H) DP24B-TEHH-2S-M50-00A(H) DP24B-TEHH-2S-PG21-00A(H) DP24B-TEHH-2S-PG29-00A(H) DP24B-TEHH-2S-PG36-00A(H) | M25 M32 M40 M50 PG21 PG29 PG36 |  |
|  | Housings, bulkhead mounting | DP24B-BK/S-2H-00A(H) | - |  |


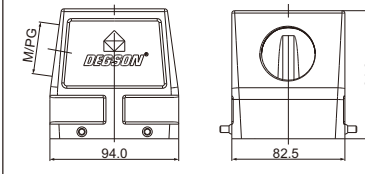

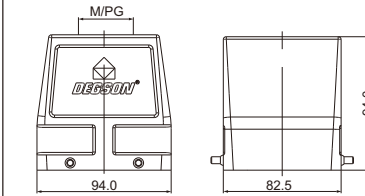

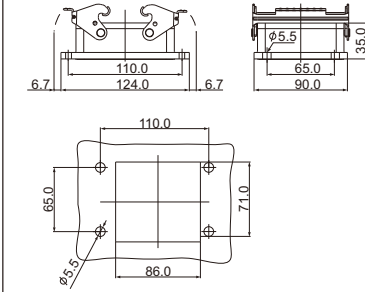
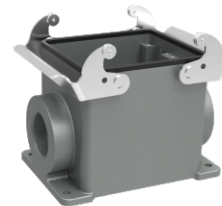
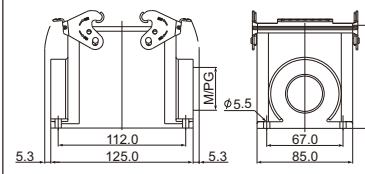

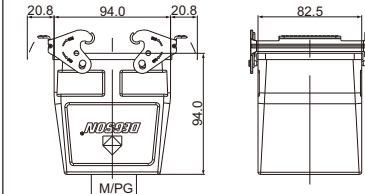
D32B Metal Hoods & Housings

Degree of protection : IP65

| Hoods & Housings | Description | Type | Thread | Drawing |
|---|-----------------------------|--|--|---|
|  | Hoods, side entry | D32B-SE-2g-M32 D32B-SE-2g-M40 D32B-SE-2g-M50 D32B-SE-2g-PG29 D32B-SE-2g-PG36 D32B-SE-2g-PG42 | M32 M40 M50 PG29 PG36 PG42 |  |
|  | Hoods, top entry | D32B-TE-2g-M32 D32B-TE-2g-M40 D32B-TE-2g-M50 D32B-TE-2g-PG29 D32B-TE-2g-PG36 D32B-TE-2g-PG42 | M32 M40 M50 PG29 PG36 PG42 |  |
|  | Housings, bulkhead mounting | D32B-BK-1L With plastic cover D32B-BK-1L-CV | - |  |
|  | Housings, surface mounting | D32B-SF-1L-M32 D32B-SF-1L-2M32 D32B-SF-1L-M40 D32B-SF-1L-2M40 D32B-SF-1L-PG29 D32B-SF-1L-2PG29 D32B-SF-1L-PG36 D32B-SF-1L-2PG36 With plastic cover D32B-SF-1L-CV-M32 D32B-SF-1L-CV-2M32 D32B-SF-1L-CV-M40 D32B-SF-1L-CV-2M40 D32B-SF-1L-CV-PG29 D32B-SF-1L-CV-2PG29 D32B-SF-1L-CV-PG36 D32B-SF-1L-CV-2PG36 | M32 2M32 M40 2M40 PG29 2PG29 PG36 2PG36 M32 2M32 M40 2M40 PG29 2PG29 PG36 2PG36 |  |


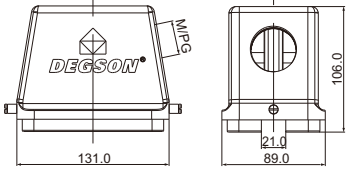

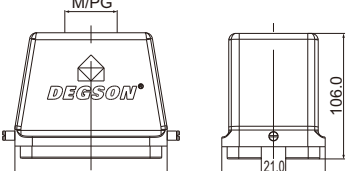

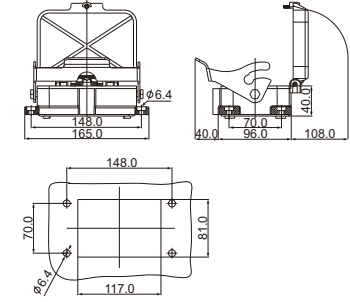

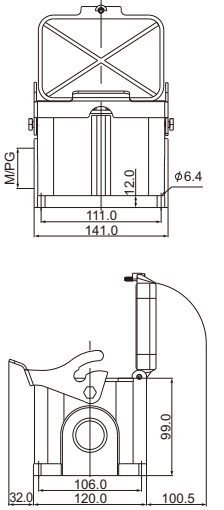
D32B Metal Hoods & Housings

Degree of protection : IP65

| Hoods & Housings | Description | Type | Thread | Drawing |
|---|--|--|---|---|
|  | Hoods, side entry | D32B-SE-4g-M32 D32B-SE-4g-M40 D32B-SE-4g-M50 D32B-SE-4g-PG29 D32B-SE-4g-PG36 D32B-SE-4g-PG42 | M32 M40 M50 PG29 PG36 PG42 |  |
|  | Hoods, top entry | D32B-TE-4g-M32 D32B-TE-4g-M40 D32B-TE-4g-M50 D32B-TE-4g-PG29 D32B-TE-4g-PG36 D32B-TE-4g-PG42 | M32 M40 M50 PG29 PG36 PG42 |  |
|  | Housings, bulkhead mounting | D32B-BK-2L | - |  |
|  | Housings, surface mounting high construction | D32B-SF-2L-M32 D32B-SF-2L-2M32 D32B-SF-2L-M40 D32B-SF-2L-2M40 D32B-SF-2L-PG29 D32B-SF-2L-2PG29 D32B-SF-2L-PG36 D32B-SF-2L-2PG36 D32B-SF-2L-2PG42 | M32 2M32 M40 2M40 PG29 2PG29 PG36 2PG36 2PG42 |  |
|  | Housings, cable to cable | D32B-CCT-2L-M32 D32B-CCT-2L-M40 D32B-CCT-2L-M50 D32B-CCT-2L-PG29 D32B-CCT-2L-PG36 D32B-CCT-2L-PG42 | M32 M40 M50 PG29 PG36 PG42 |  |


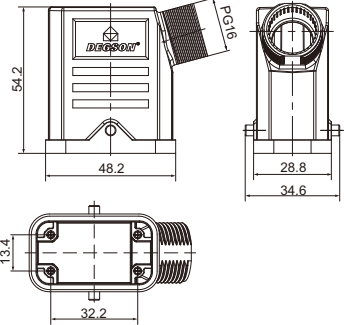

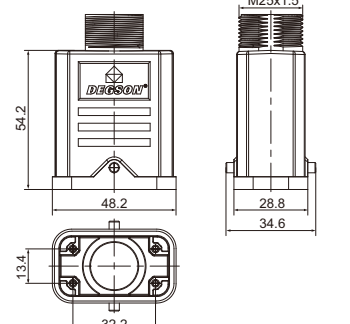

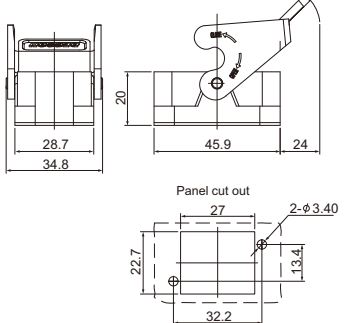


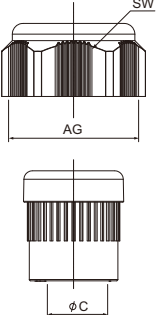
D48B Metal Hoods & Housings

Degree of protection : IP65

| Hoods & Housings | Description | Type | Thread | Drawing |
|---|-----------------------------|--|--|---|
|  | Hoods, side entry | D48B-SE-2g-M32 D48B-SE-2g-M40 D48B-SE-2g-M50 D48B-SE-2g-PG29 D48B-SE-2g-PG36 D48B-SE-2g-PG42 | M32 M40 M50 PG29 PG36 PG42 |  |
|  | Hoods, top entry | D48B-TE-2g-M32 D48B-TE-2g-M40 D48B-TE-2g-M50 D48B-TE-2g-PG29 D48B-TE-2g-PG36 D48B-TE-2g-PG42 | M32 M40 M50 PG29 PG36 PG42 |  |
|  | Housings, bulkhead mounting | D48B-BK-1L With plastic cover D48B-BK-1L-CV | -- -- |  |
|  | Housings, surface mounting | D48B-SF-1L-M32 D48B-SF-1L-2M32 D48B-SF-1L-M40 D48B-SF-1L-2M40 D48B-SF-1L-PG29 D48B-SF-1L-2PG29 D48B-SF-1L-PG36 D48B-SF-1L-2PG36 With plastic cover D48B-SF-1L-CV-M32 D48B-SF-1L-CV-2M32 D48B-SF-1L-CV-M40 D48B-SF-1L-CV-2M40 D48B-SF-1L-CV-PG29 D48B-SF-1L-CV-2PG29 D48B-SF-1L-CV-PG36 D48B-SF-1L-CV-2PG36 | M32 2M32 M40 2M40 PG29 2PG29 PG36 2PG36 M32 2M32 M40 2M40 PG29 2PG29 PG36 2PG36 |  |

DC Plastic Hoods & Housings

Degree of protection : IP65

| Hoods & Housings | Description | Type | Thread | Drawing |
|--|-----------------------------|---|-------------|---|
|  | Hoods, side entry | DC.P-SE-2g-PG16 | PG16 |  |
|  | Hoods, top entry | DC.P-TE-2g-M25 | M25 |  |
|  | Housings, bulkhead mounting | DC.P-BK-1L | -- |  |
|   | Cable gland, for housings | DC.P-M25P(D14-17) DC.P-PG16P(D11.5-15.5) | M25 PG16 |  |

Set general introduction

Quick suites selection

Insert & contact selection: Pin number of insert & contact is bigger than or equal to the circuit number.

Parameters validation: Whether rated current, rated voltage can meet the actual demand.

Hoods selection: Entry mode (side, top) meets cabling arrangement.

Locking method facilitate on-site operation.

The hoods thread should be compatible with the size of cabling (cable diameter should be within cable joint locking range.) detail on P129.

Housing selection: Entry mode meets cabling arrangement on site (bulkhead mounting, surface mounting).

Locking method compatible with hoods.

For surface mounting the entry thread size should be confirmed (the same as that of hoods).

The suites type can be determined based on above 4 points.

DA - Series 4 Circuit 400/230V, 10A



Side-entry & bulkhead

Type: HDC-DA-004-XX-0001AH
Cable gland: M20, PG11, PG13.5

Top-entry & bulkhead

Type: HDC-DA-004-XX-0002AH
Cable gland: M20, PG11, PG13.5

Top-entry & surface

Type: HDC-DA-004-XX-0003AH
Cable gland: M20, PG11, PG13.5

Top-entry & Side-bulkhead

Type: HDC-DA-004-XX-0004AH
Cable gland: M20, PG11, PG13.5

Top-entry & cable to cable

Type: HDC-DA-004-XX-0005AH
Cable gland: M20, PG11, PG13.5

DA - Series 3 Circuit 400/230V, 10A



Side-entry & bulkhead

Type: HDC-DA-003-XX-0001AH
Cable gland: M20, PG11, PG13.5

Top-entry & bulkhead

Type: HDC-DA-003-XX-0002AH
Cable gland: M20, PG11, PG13.5

Top-entry & surface

Type: HDC-DA-003-XX-0003AH
Cable gland: M20, PG11, PG13.5

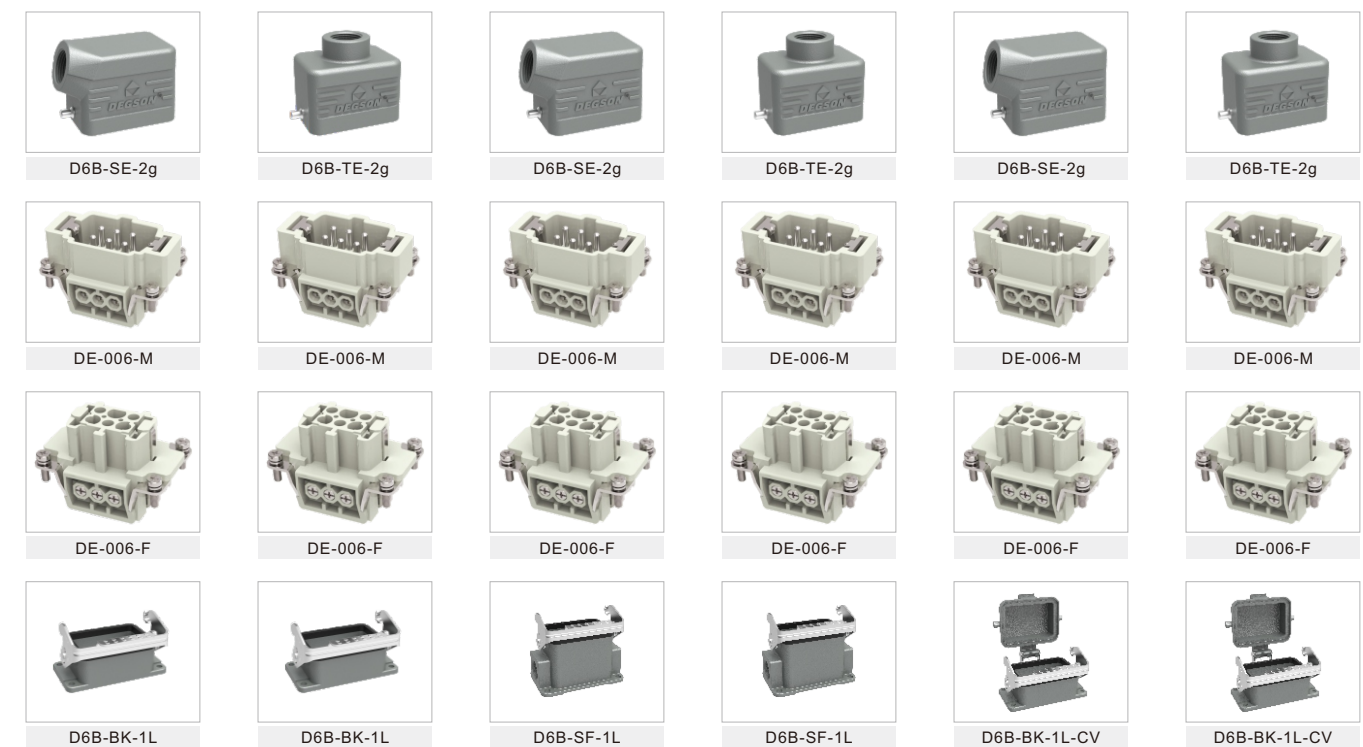
Top-entry & Side-bulkhead

Type: HDC-DA-003-XX-0004AH
Cable gland: M20, PG11, PG13.5

Top-entry & cable to cable

Type: HDC-DA-003-XX-0005AH
Cable gland: M20, PG11, PG13.5

DE - Series 6 Circuit 500V, 16A



Side-entry & bulkhead

Type: HDC-DE-006-XX-0001AH
Cable gland: M20, M25, PG11

Top-entry & bulkhead

Type: HDC-DE-006-XX-0002AH
Cable gland: M20, M25, PG11

Side-entry & bulkhead

Type: HDC-DE-006-XX-0003AH
Cable gland: M20, M25, PG11

Top-entry & bulkhead

Type: HDC-DE-006-XX-0004AH
Cable gland: M20, M25, PG11

Side-entry & bulkhead cover

Type: HDC-DE-006-XX-0005AH
Cable gland: M20, M25, PG11

Top-entry & bulkhead cover

Type: HDC-DE-006-XX-0006AH
Cable gland: M20, M25, PG11

Set general introduction

Quick suites selection

Insert & contact selection: Pin number of insert & contact is bigger than or equal to the circuit number.

Parameters validation: Whether rated current, rated voltage can meet the actual demand.

Hoods selection: Entry mode (side, top) meets cabling arrangement.

Locking method facilitate on-site operation.

The hoods thread should be compatible with the size of cabling (cable diameter should be within cable joint locking range.) detail on P129.

Housing selection: Entry mode meets cabling arrangement on site (bulkhead mounting, surface mounting).

Locking method compatible with hoods.

For surface mounting the entry thread size should be confirmed (the same as that of hoods).

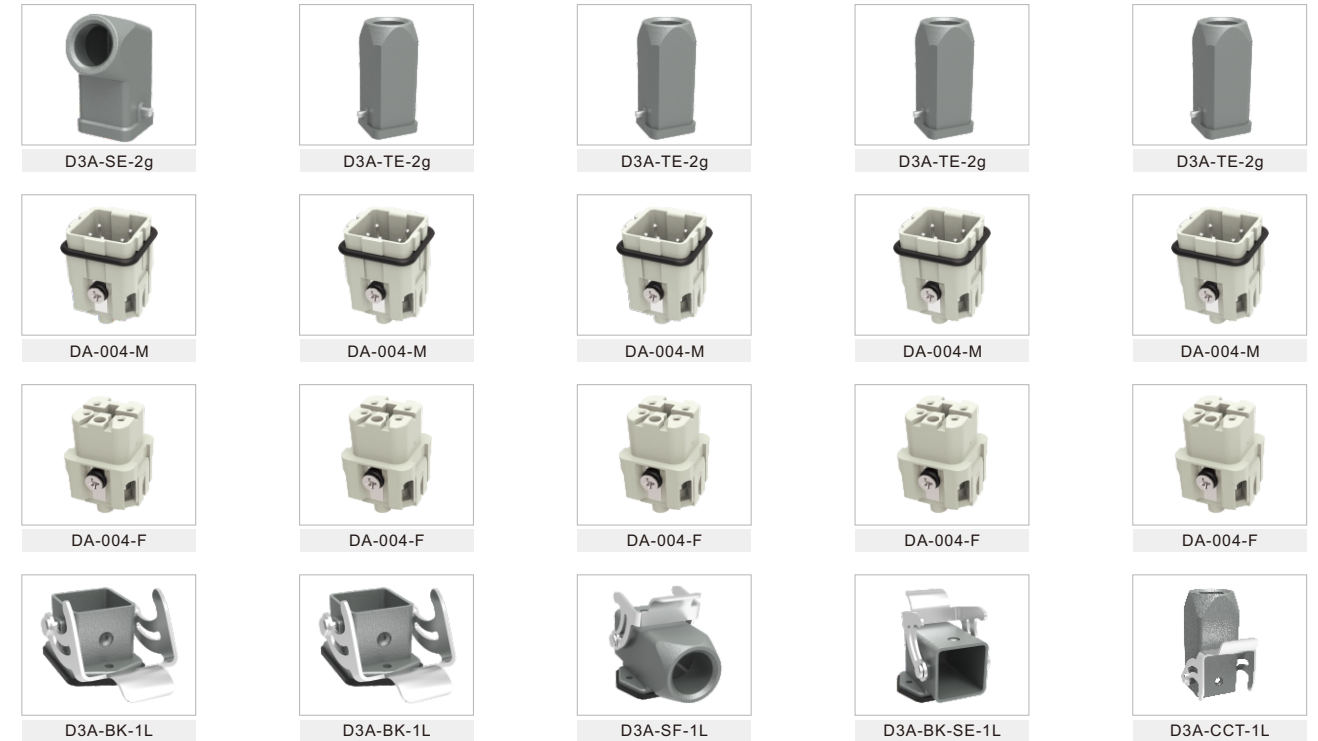
The suites type can be determined based on above 4 points.

DA - Series 3 Circuit 400/230V, 10A



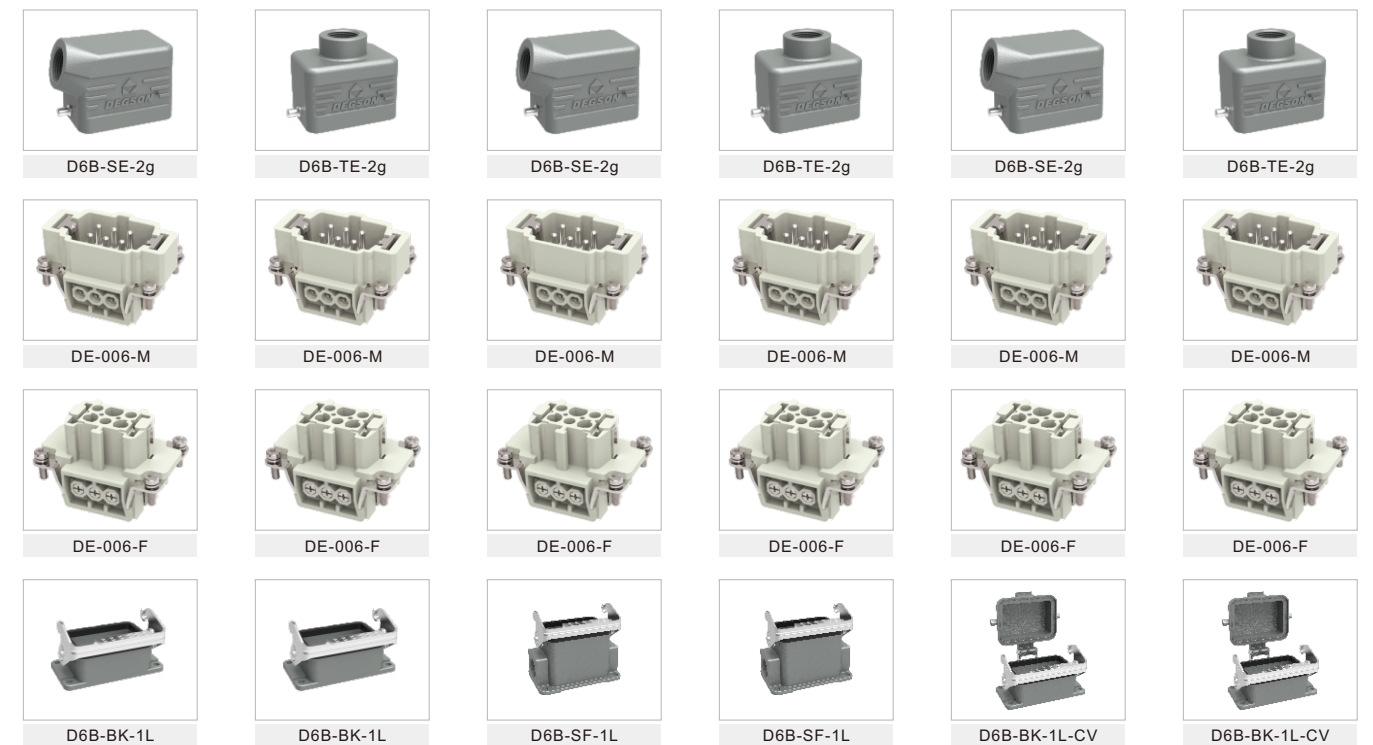
| | | | | |
|--|---|--|--|---|
| Side-entry & bulkhead Type: HDC-DA-003-XX-0001AH Cable gland: M20, PG11, PG13.5 | Top-entry & bulkhead Type: HDC-DA-003-XX-0002AH Cable gland: M20, PG11, PG13.5 | Top-entry & surface Type: HDC-DA-003-XX-0003AH Cable gland: M20, PG11, PG13.5 | Top-entry & Side-bulkhead Type: HDC-DA-003-XX-0004AH Cable gland: M20, PG11, PG13.5 | Top-entry & cable to cable Type: HDC-DA-003-XX-0005AH Cable gland: M20, PG11, PG13.5 |
|--|---|--|--|---|

DA - Series 4 Circuit 400/230V, 10A



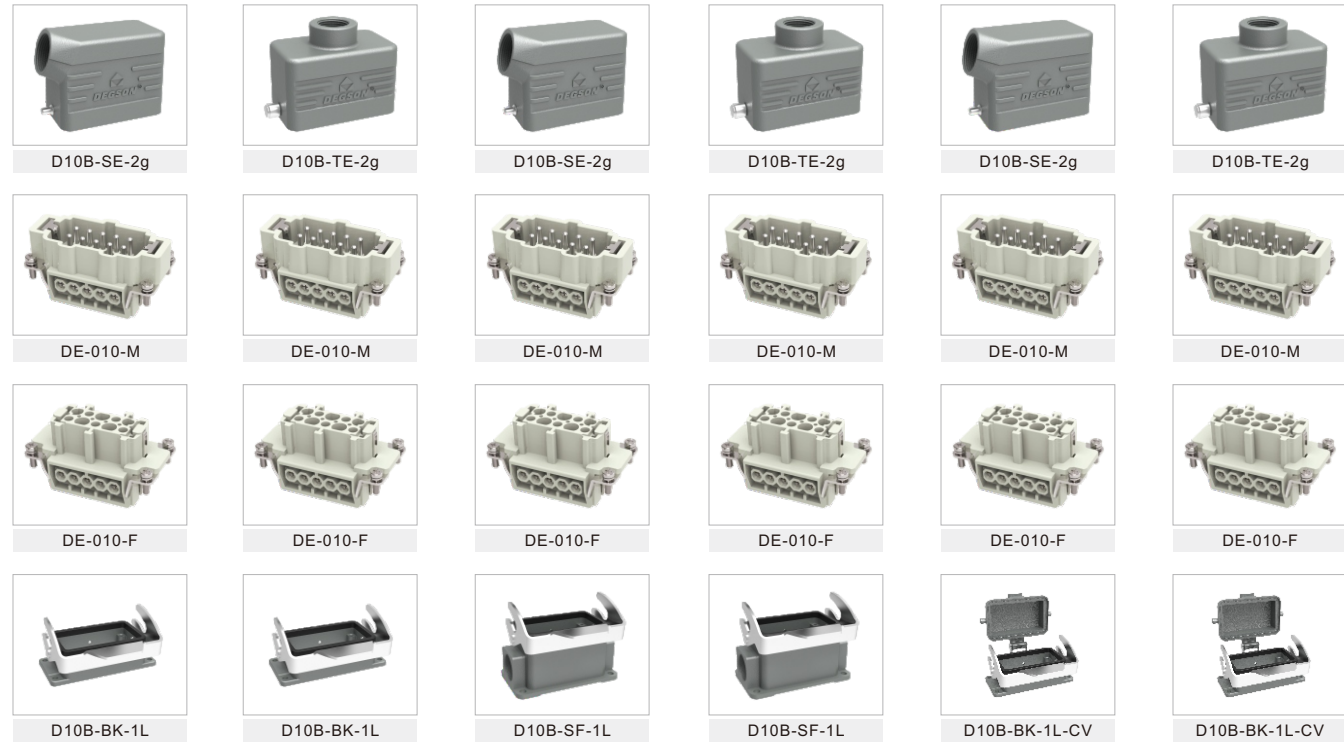
| | | | | |
|--|---|--|--|---|
| Side-entry & bulkhead Type: HDC-DA-004-XX-0001AH Cable gland: M20, PG11, PG13.5 | Top-entry & bulkhead Type: HDC-DA-004-XX-0002AH Cable gland: M20, PG11, PG13.5 | Top-entry & surface Type: HDC-DA-004-XX-0003AH Cable gland: M20, PG11, PG13.5 | Top-entry & Side-bulkhead Type: HDC-DA-004-XX-0004AH Cable gland: M20, PG11, PG13.5 | Top-entry & cable to cable Type: HDC-DA-004-XX-0005AH Cable gland: M20, PG11, PG13.5 |
|--|---|--|--|---|

DE - Series 6 Circuit 500V, 16A



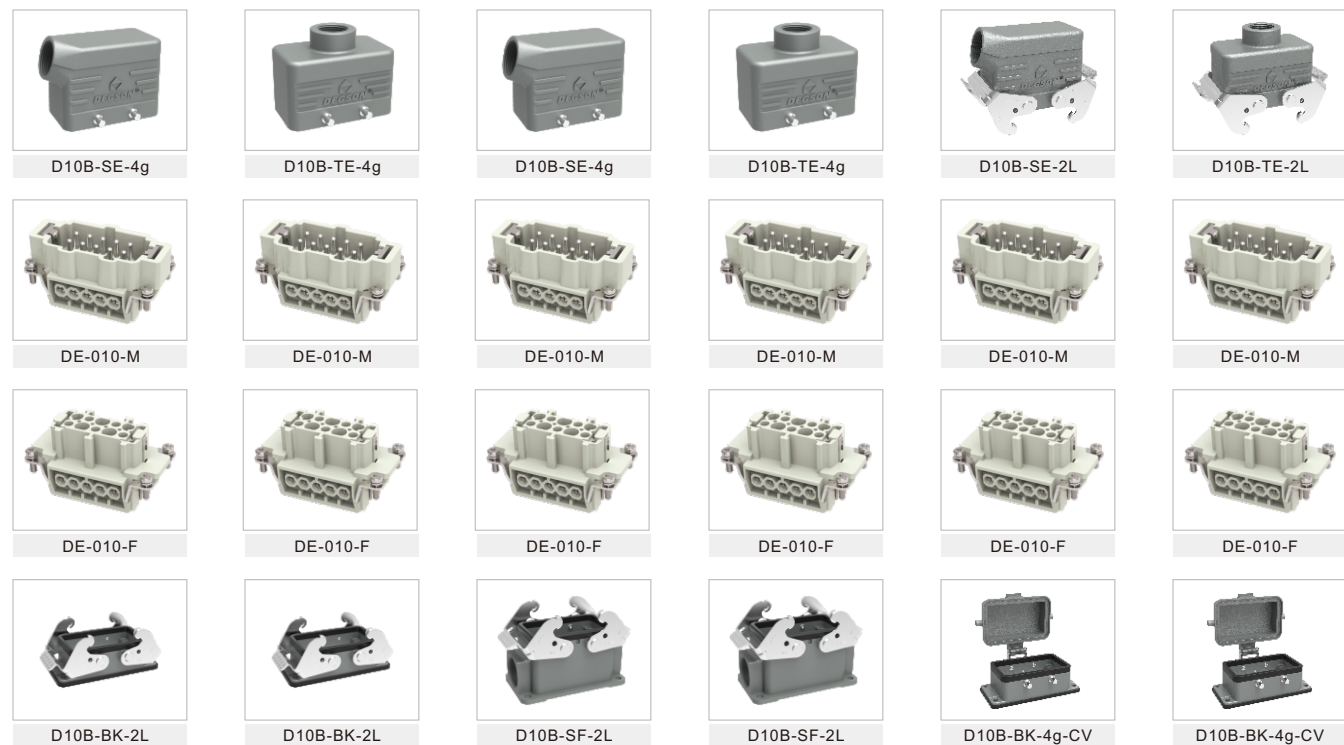
| | | | | | |
|---|--|---|--|---|--|
| Side-entry & bulkhead Type: HDC-DE-006-XX-0001AH Cable gland: M20, M25, PG11 | Top-entry & bulkhead Type: HDC-DE-006-XX-0002AH Cable gland: M20, M25, PG11 | Side-entry & bulkhead Type: HDC-DE-006-XX-0003AH Cable gland: M20, M25, PG11 | Top-entry & bulkhead Type: HDC-DE-006-XX-0004AH Cable gland: M20, M25, PG11 | Side-entry & bulkhead cover Type: HDC-DE-006-XX-0005AH Cable gland: M20, M25, PG11 | Top-entry & bulkhead cover Type: HDC-DE-006-XX-0006AH Cable gland: M20, M25, PG11 |
|---|--|---|--|---|--|

DE • Series 10 Circuit 500V,16A



| Side-entry & bulkhead | Top-entry & bulkhead | Side-entry & bulkhead | Top-entry & bulkhead | Side-entry & bulkhead cover | Top-entry & bulkhead cover |
|----------------------------|----------------------------|----------------------------|----------------------------|-----------------------------|----------------------------|
| Type: HDC-DE-010-XX-0001AH | Type: HDC-DE-010-XX-0002AH | Type: HDC-DE-010-XX-0003AH | Type: HDC-DE-010-XX-0004AH | Type: HDC-DE-010-XX-0005AH | Type: HDC-DE-010-XX-0006AH |
| Cable gland: M20,M25,PG11 | Cable gland: M20,M25,PG16 | Cable gland: M20,M25,PG16 | Cable gland: M20,M25,PG16 | Cable gland: M20,M25,PG16 | Cable gland: M20,M25,PG16 |

DE • Series 10 Circuit 500V,16A



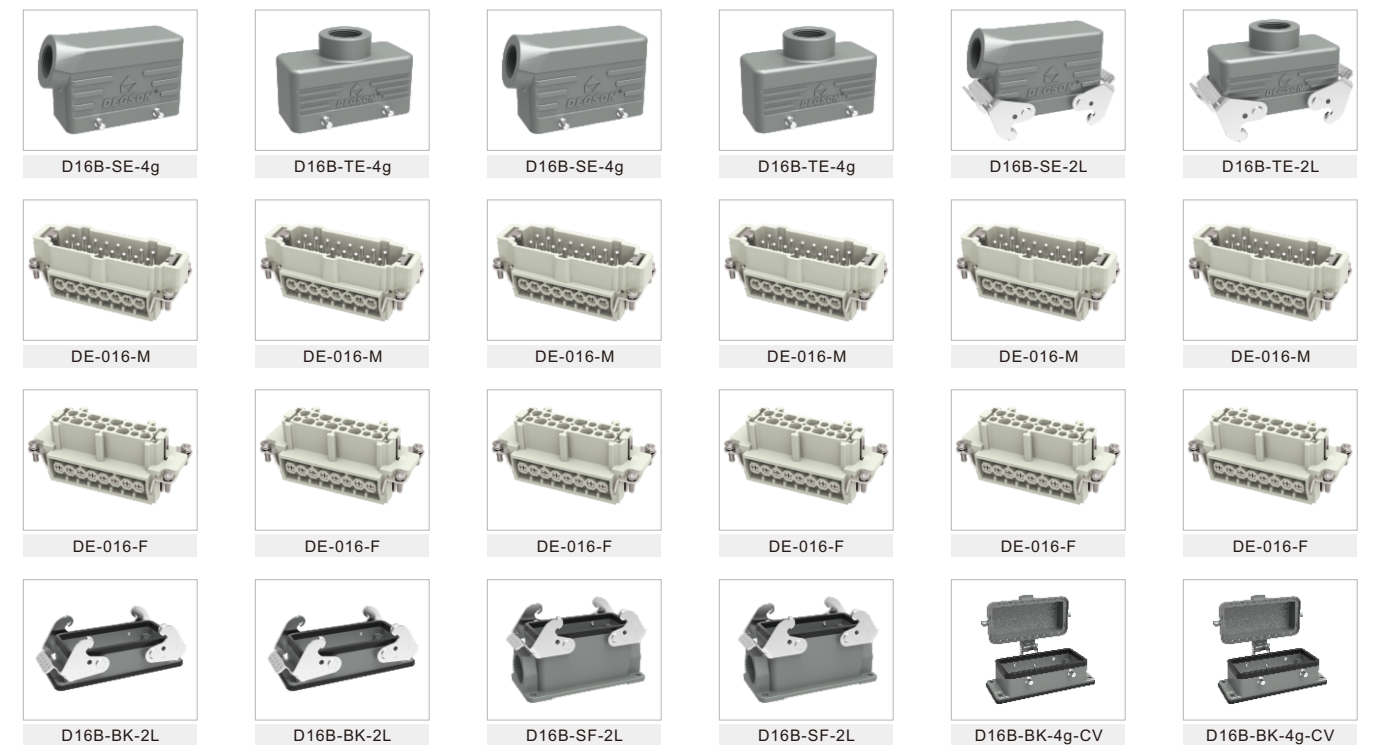
| Side-entry & bulkhead | Top-entry & bulkhead | Side-entry & bulkhead | Top-entry & bulkhead | Side-entry & bulkhead cover | Top-entry & bulkhead cover |
|----------------------------|----------------------------|----------------------------|----------------------------|-----------------------------|----------------------------|
| Type: HDC-DE-010-XX-0011AH | Type: HDC-DE-010-XX-0012AH | Type: HDC-DE-010-XX-0013AH | Type: HDC-DE-010-XX-0014AH | Type: HDC-DE-010-XX-0015AH | Type: HDC-DE-010-XX-0016AH |
| Cable gland: M20,M25,PG11 | Cable gland: M20,M25,PG16 | Cable gland: M20,M25,PG16 | Cable gland: M20,M25,PG16 | Cable gland: M20,M25,PG16 | Cable gland: M20,M25,PG16 |

DE • Series 16 Circuit 500V,16A



| Side-entry & bulkhead | Top-entry & bulkhead | Side-entry & bulkhead | Top-entry & bulkhead | Side-entry & bulkhead cover | Top-entry & bulkhead cover |
|----------------------------|----------------------------|----------------------------|----------------------------|-----------------------------|----------------------------|
| Type: HDC-DE-016-XX-0001AH | Type: HDC-DE-016-XX-0002AH | Type: HDC-DE-016-XX-0003AH | Type: HDC-DE-016-XX-0004AH | Type: HDC-DE-016-XX-0005AH | Type: HDC-DE-016-XX-0006AH |
| Cable gland: M25,PG21 | Cable gland: M25,PG21 | Cable gland: M25,PG21 | Cable gland: M25,PG21 | Cable gland: M25,PG21 | Cable gland: M25,PG21 |

DE • Series 16 Circuit 500V,16A



| Side-entry & bulkhead | Top-entry & bulkhead | Side-entry & bulkhead | Top-entry & bulkhead | Side-entry & bulkhead cover | Top-entry & bulkhead cover |
|----------------------------|----------------------------|----------------------------|----------------------------|-----------------------------|----------------------------|
| Type: HDC-DE-016-XX-0011AH | Type: HDC-DE-016-XX-0012AH | Type: HDC-DE-016-XX-0013AH | Type: HDC-DE-016-XX-0014AH | Type: HDC-DE-016-XX-0015AH | Type: HDC-DE-016-XX-0016AH |
| Cable gland: M25,PG21 | Cable gland: M25,PG21 | Cable gland: M25,PG21 | Cable gland: M25,PG21 | Cable gland: M25,PG21 | Cable gland: M25,PG21 |

DE • Series 24 Circuit 500V,16A



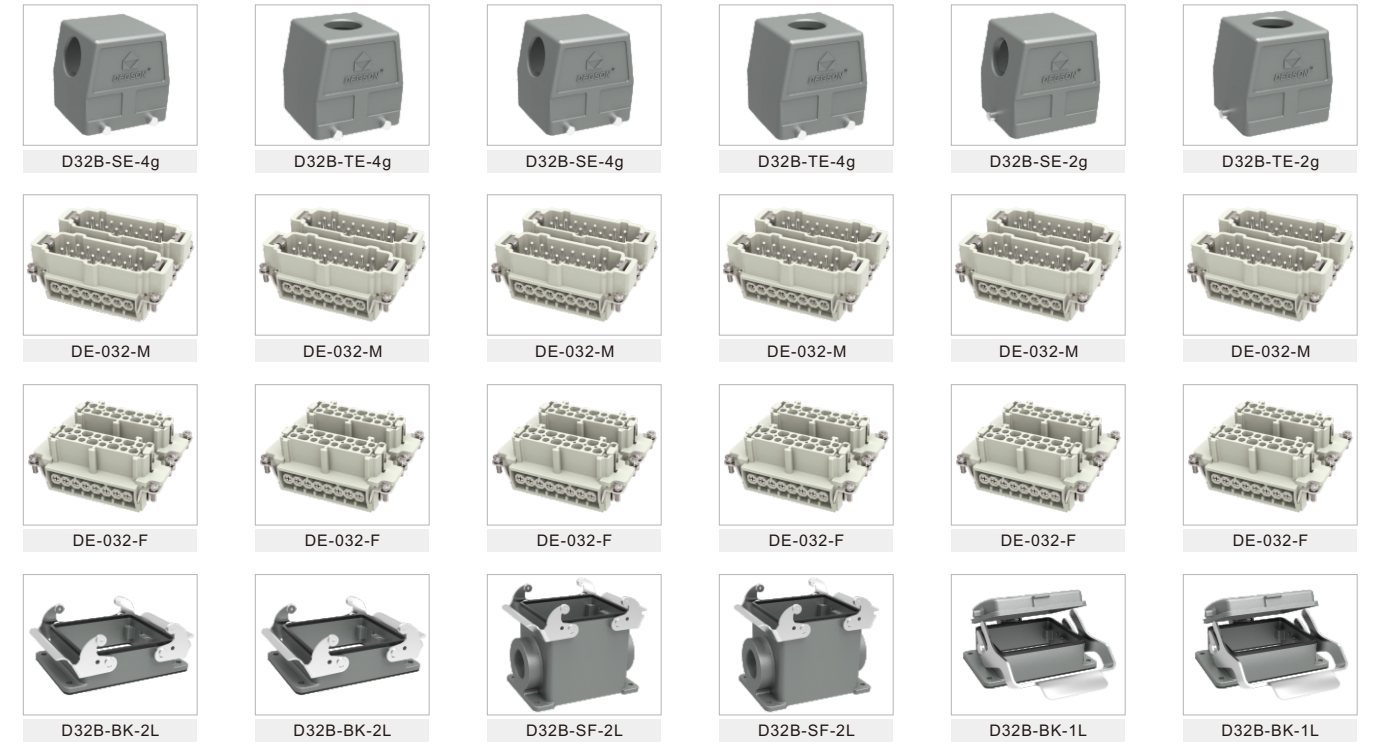
| | | | | | |
|---|--|---|--|---|--|
| Side-entry & bulkhead Type: HDC-DE-024-XX-0001AH Cable gland: M25,PG21 | Top-entry & bulkhead Type: HDC-DE-024-XX-0002AH Cable gland: M25,PG21 | Side-entry & bulkhead Type: HDC-DE-024-XX-0003AH Cable gland: M25,PG21 | Top-entry & bulkhead Type: HDC-DE-024-XX-0004AH Cable gland: M25,PG21 | Side-entry & bulkhead cover Type: HDC-DE-024-XX-0005AH Cable gland: M25,PG21 | Top-entry & bulkhead cover Type: HDC-DE-024-XX-0006AH Cable gland: M25,PG21 |
|---|--|---|--|---|--|

DE • Series 24 Circuit 500V,16A



| | | | | | |
|---|--|---|--|---|--|
| Side-entry & bulkhead Type: HDC-DE-024-XX-0011AH Cable gland: M25,PG21 | Top-entry & bulkhead Type: HDC-DE-024-XX-0012AH Cable gland: M25,PG21 | Side-entry & bulkhead Type: HDC-DE-024-XX-0013AH Cable gland: M25,PG21 | Top-entry & bulkhead Type: HDC-DE-024-XX-0014AH Cable gland: M25,PG21 | Side-entry & bulkhead cover Type: HDC-DE-024-XX-0015AH Cable gland: M25,PG21 | Top-entry & bulkhead cover Type: HDC-DE-024-XX-0016AH Cable gland: M25,PG21 |
|---|--|---|--|---|--|

DE • Series 32 Circuit 500V,16A



| | | | | | |
|---|--|---|--|---|--|
| Side-entry & bulkhead Type: HDC-DE-032-XX-0001AH Cable gland: M32,PG29 | Top-entry & bulkhead Type: HDC-DE-032-XX-0002AH Cable gland: M32,PG29 | Side-entry & bulkhead Type: HDC-DE-032-XX-0003AH Cable gland: M32,PG29 | Top-entry & bulkhead Type: HDC-DE-032-XX-0004AH Cable gland: M32,PG29 | Side-entry & bulkhead Type: HDC-DE-032-XX-0005AH Cable gland: M32,PG29 | Top-entry & bulkhead Type: HDC-DE-032-XX-0006AH Cable gland: M32,PG29 |
|---|--|---|--|---|--|

DE • Series 48 Circuit 500V,16A



| | | | |
|---|--|---|--|
| Side-entry & bulkhead Type: HDC-DE-048-XX-0001AH Cable gland: M32,M40,PG29 | Top-entry & bulkhead Type: HDC-DE-048-XX-0002AH Cable gland: M32,M40,PG29 | Side-entry & bulkhead Type: HDC-DE-048-XX-0003AH Cable gland: M32,M40,PG29 | Top-entry & bulkhead Type: HDC-DE-048-XX-0004AH Cable gland: M32,M40,PG29 |
|---|--|---|--|

Housings Mounting Dimensions

| | Top Entry | | | | | | Side Entry | | | | | | | |
|------------------|-----------|------|------|-----|--------|-------------|-------------|------|------|------|-----|--------|-------------|-------------|
| 1 Locking levers | | | | | | | | | | | | | | |
| 2 Locking levers | | | | | | | | | | | | | | |
| Drawing(mm) | | | | | | | | | | | | | | |
| Series | A | B | H | M | PG | Part number | | A | B | H | M | PG | Part number | |
| | | | | | | 2bolts | 4bolts | | | | | | 2bolts | 4bolts |
| D3A | 28 | 27 | 60 | M20 | PG11 | D3A-TE-2g | | 28 | 27 | 54.5 | M20 | PG11 | D3A-SE-2g | |
| D10A | 63 | 29.5 | 47 | M20 | PG13.5 | D10A-TE-2g | | 63 | 29.5 | 51.5 | M20 | PG13.5 | D10A-SE-2g | |
| | 63 | 36 | 67.5 | M25 | PG16 | D10A-TEH-2g | | 63 | 36 | 67.5 | M25 | PG16 | D10A-SEH-2g | |
| D16A | 79.5 | 29.5 | 47 | M20 | PG13.5 | D16A-TE-2g | | 79.5 | 29.5 | 61.5 | M20 | PG13.5 | D16A-SE-2g | |
| | 79.5 | 36 | 70.5 | M25 | PG16 | D16A-TEH-2g | | 79.5 | 36 | 70.5 | M25 | PG16 | D16A-SEH-2g | |
| D32A | 82 | 56 | 79 | M32 | PG29 | | D32A-TEH-4g | 82 | 56 | 60 | M25 | PG21 | | D32A-SE-4g |
| | | | | | | | | 82 | 56 | 79 | M32 | PG29 | | D32A-SEH-4g |
| D6B | 60 | 43 | 40 | M20 | PG13.5 | D6B-TE-2g | | 60 | 43 | 43 | M20 | PG13.5 | D6B-SE-2g | |
| | 60 | 43 | 72 | M32 | PG21 | D6B-TEH-2g | | 60 | 43 | 72 | M32 | PG21 | D6B-SEH-2g | |
| D10B | 73 | 43 | 45 | M25 | PG16 | D10B-TE-2g | D10B-TE-4g | 73 | 43 | 57 | M25 | PG16 | D10B-SE-2g | D10B-SE-4g |
| | 73 | 43 | 72 | M32 | PG21 | D10B-TEH-2g | D10B-TEH-4g | 73 | 43 | 72 | M32 | PG21 | D10B-SEH-2g | D10B-SEH-4g |
| D16B | 93.5 | 43 | 45 | M25 | PG21 | D16B-TE-2g | D16B-TE-4g | 93.5 | 43 | 62.5 | M25 | PG21 | D16B-SE-2g | D16B-SE-4g |
| | 93.5 | 43 | 76 | M32 | PG29 | D16B-TEH-2g | D16B-TEH-4g | 93.5 | 43 | 76 | M32 | PG29 | D16B-SEH-2g | D16B-SEH-4g |
| D24B | 120 | 43 | 55 | M32 | PG21 | D24B-TE-2g | D24B-TE-4g | 120 | 43 | 62.5 | M32 | PG21 | D24B-SE-2g | D24B-SE-4g |
| | 120 | 43 | 76 | M40 | PG29 | D24B-TEH-2g | D24B-TEH-4g | 120 | 43 | 76 | M40 | PG29 | D24B-SEH-2g | D24B-SEH-4g |
| D32B | 94 | 82.5 | 94 | M40 | PG36 | D32B-TE-2g | D32B-TE-4g | 94 | 82.5 | 94 | M40 | PG36 | D32B-SE-2g | D32B-SE-4g |
| D48B | 132 | 90 | 98 | M50 | PG42 | D48B-TE-2g | | 132 | 90 | 98 | M50 | PG42 | D48B-SE-2g | |

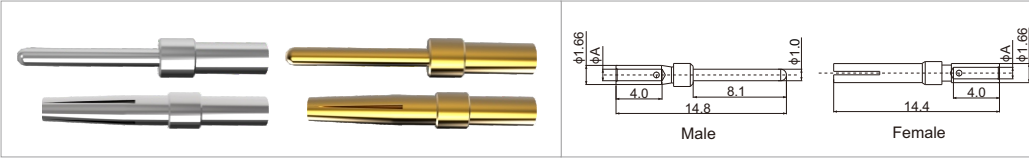
Housings Mounting Dimensions

| | Bulkhead Mounting | | | | | Surface Mounting | | | | | | | | | | |
|------------------|-------------------|-----|------|------|------|------------------|------------------|-----|-----|-----|-----|----|-----|------|------------------|------------------|
| 1 Locking levers | | | | | | | | | | | | | | | | |
| 2 Locking levers | | | | | | | | | | | | | | | | |
| Drawing(mm) | | | | | | | | | | | | | | | | |
| Series | A | B | C | E | H | Part number | | A | B | C | E | H | M | PG | Part number | |
| | | | | | | 1 Locking levers | 2 Locking levers | | | | | | | | 1 Locking levers | 2 Locking levers |
| D3A | 28 | 40 | | 28 | 23 | D3A-BK-1L | | 30 | 40 | | 57 | 27 | M20 | PG11 | D3A-SF-1L | |
| | 28 | 40 | | 28 | 23 | D3A-BK-1L-MCV | | | | | | | | | | |
| D10A | 70 | 81 | 17.5 | 29 | 26 | D10A-BK-1L | | 48 | 75 | 40 | 50 | 52 | M20 | PG16 | D10A-SF-1L | |
| D16A | 86 | 96 | 17.5 | 29 | 26 | D16A-BK-1L | | 64 | 80 | 40 | 50 | 57 | M25 | PG16 | D16A-SF-1L | |
| D32A | 92 | 102 | 42 | 56 | 28.5 | | D32A-BK-2L | 94 | 106 | 46 | 57 | 82 | M32 | PG21 | | D32A-SF-2L |
| D6B | 70 | 80 | 32 | 43.5 | 28.5 | D6B-BK-1L | | 70 | 82 | 40 | 52 | 57 | M25 | PG16 | D6B-SF-1L | |
| | | | | | | | | 70 | 82 | 45 | 57 | 74 | M32 | PG21 | D6B-SFH-1L | |
| D10B | 83 | 93 | 32 | 43.5 | 28.5 | D10B-BK-1L | | 82 | 94 | 40 | 52 | 54 | M25 | PG16 | D10B-SF-1L | D10B-SF-2L |
| | 83 | 93 | 32 | 43.5 | 28.5 | | D10B-BK-2L | 82 | 94 | 45 | 57 | 81 | M32 | PG21 | D10B-SFH-1L | D10B-SFH-2L |
| D16B | 103 | 113 | 32 | 43.5 | 28.5 | D16B-BK-1L | | 105 | 117 | 45 | 57 | 56 | M25 | PG21 | D16B-SF-1L | D16B-SF-2L |
| | 103 | 113 | 32 | 43.5 | 28.5 | | D16B-BK-2L | 105 | 117 | 45 | 57 | 81 | M32 | PG29 | D16B-SFH-1L | D16B-SFH-2L |
| D24B | 130 | 140 | 32 | 43.5 | 28.5 | D24B-BK-1L | | 132 | 144 | 45 | 57 | 56 | M25 | PG21 | D24B-SF-1L | D24B-SF-2L |
| | 130 | 140 | 32 | 43.5 | 28.5 | | D24B-BK-2L | 132 | 144 | 45 | 57 | 81 | M25 | PG21 | D24B-SFH-1L | D24B-SFH-2L |
| D32B | 110 | 124 | 65 | 90 | 33 | D32B-BK-1L | | 112 | 125 | 67 | 87 | 90 | M40 | PG36 | D32B-SF-1L | D32B-SF-2L |
| | 110 | 124 | 65 | 90 | 33 | | D32B-BK-2L | | | | | | | | | |
| D48B | 148 | 165 | 70 | 96 | 40 | D48B-BK-1L | | 111 | 141 | 106 | 120 | 99 | M40 | PG36 | D48B-SF-1L | |

Crimp Contacts

(5A) Crimp contacts

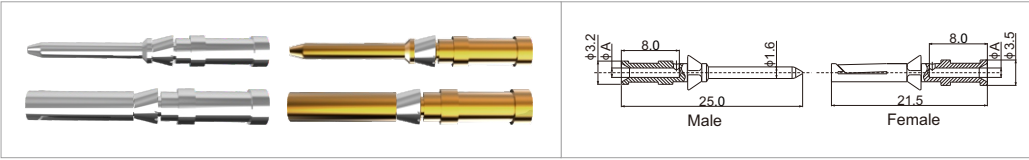
Material: Copper alloy
 Contact resistance $\leq 3m\Omega$
 Matching: DM inserts
 Surface: Gold/silver plated
 Terminal: Crimp connection



| Contacts, silver-plated | | Contacts, gold plated | | (ϕA) | Wire gauge | | Recommended stripping length |
|-------------------------|-----------------|-----------------------|-----------------|------------|--------------------|-------|------------------------------|
| Male Contacts | Female Contacts | Male Contacts | Female Contacts | | (mm ²) | (AWG) | |
| 5A-SM-0.25 | 5A-SF-0.25 | 5A-GM-0.25 | 5A-GF-0.25 | 0.64 | 0.09-0.25 | 28-24 | 5mm |
| 5A-SM-0.33 | 5A-SF-0.33 | 5A-GM-0.33 | 5A-GF-0.33 | 0.9 | 0.25-0.33 | 24-22 | 5mm |
| 5A-SM-0.52 | 5A-SF-0.52 | 5A-GM-0.52 | 5A-GF-0.52 | 1.12 | 0.33-0.52 | 22-20 | 5mm |

(10A) Crimp contacts

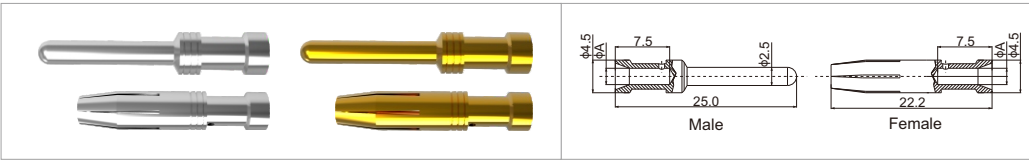
Material: Copper alloy
 Contact resistance $\leq 3m\Omega$
 Matching: DDDDD, DM, DK, DQ inserts
 Surface: Gold/silver plated
 Terminal: Crimp connection



| Contacts, silver-plated | | Contacts, gold plated | | (ϕA) | Wire gauge | | Recommended stripping length |
|-------------------------|-----------------|-----------------------|-----------------|------------|--------------------|-------|------------------------------|
| Male Contacts | Female Contacts | Male Contacts | Female Contacts | | (mm ²) | (AWG) | |
| 10A-SM-0.37 | 10A-SF-0.37 | 10A-GM-0.37 | 10A-GF-0.37 | 0.9 | 0.14-0.37 | 26-22 | 8mm |
| 10A-SM-0.5 | 10A-SF-0.5 | 10A-GM-0.5 | 10A-GF-0.5 | 1.1 | 0.50 | 20 | 8mm |
| 10A-SM-0.75 | 10A-SF-0.75 | 10A-GM-0.75 | 10A-GF-0.75 | 1.3 | 0.75 | 18 | 8mm |
| 10A-SM-1.0 | 10A-SF-1.0 | 10A-GM-1.0 | 10A-GF-1.0 | 1.45 | 1.00 | 18 | 8mm |
| 10A-SM-1.5 | 10A-SF-1.5 | 10A-GM-1.5 | 10A-GF-1.5 | 1.75 | 1.50 | 16 | 8mm |
| 10A-SM-2.5 | 10A-SF-2.5 | 10A-GM-2.5 | 10A-GF-2.5 | 2.25 | 2.50 | 14 | 6mm |

(16A) Crimp contacts

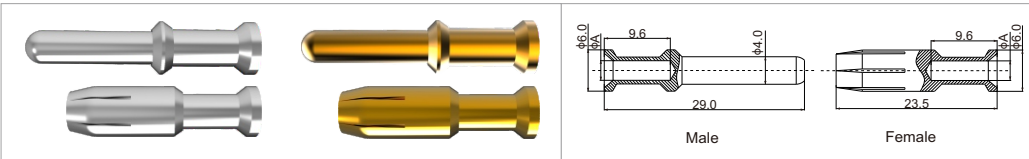
Material: Copper alloy
 Contact resistance $\leq 1m\Omega$
 Matching: DA, DE, DEE, DM, DK inserts
 Surface: Gold/silver plated
 Terminal: Crimp connection



| Contacts, silver-plated | | Contacts, gold plated | | (ϕA) | Wire gauge | | Recommended stripping length |
|-------------------------|-----------------|-----------------------|-----------------|------------|--------------------|-------|------------------------------|
| Male Contacts | Female Contacts | Male Contacts | Female Contacts | | (mm ²) | (AWG) | |
| 16A-SM-0.37 | 16A-SF-0.37 | 16A-GM-0.37 | 16A-GF-0.37 | 0.9 | 0.14-0.37 | 26-22 | 7.5mm |
| 16A-SM-0.5 | 16A-SF-0.5 | 16A-GM-0.5 | 16A-GF-0.5 | 1.1 | 0.50 | 20 | 7.5mm |
| 16A-SM-0.75 | 16A-SF-0.75 | 16A-GM-0.75 | 16A-GF-0.75 | 1.3 | 0.75 | 18 | 7.5mm |
| 16A-SM-1.0 | 16A-SF-1.0 | 16A-GM-1.0 | 16A-GF-1.0 | 1.45 | 1.00 | 18 | 7.5mm |
| 16A-SM-1.5 | 16A-SF-1.5 | 16A-GM-1.5 | 16A-GF-1.5 | 1.75 | 1.50 | 16 | 7.5mm |
| 16A-SM-2.5 | 16A-SF-2.5 | 16A-GM-2.5 | 16A-GF-2.5 | 2.25 | 2.50 | 14 | 7.5mm |
| 16A-SM-4.0 | 16A-SF-4.0 | 16A-GM-4.0 | 16A-GF-4.0 | 2.85 | 4.00 | 12 | 7.5mm |

(40A) Crimp contacts

Material: Copper alloy
 Contact resistance $\leq 0.3m\Omega$
 Matching: DM, DK inserts
 Surface: Gold/silver plated
 Terminal: Crimp connection



| Contacts, silver-plated | | Contacts, gold plated | | (ϕA) | Wire gauge | | Recommended stripping length |
|-------------------------|-----------------|-----------------------|-----------------|------------|--------------------|-------|------------------------------|
| Male Contacts | Female Contacts | Male Contacts | Female Contacts | | (mm ²) | (AWG) | |
| 40A-SM-1.5 | 40A-SF-1.5 | 40A-GM-1.5 | 40A-GF-1.5 | 1.75 | 1.50 | 16 | 9.0mm |
| 40A-SM-2.5 | 40A-SF-2.5 | 40A-GM-2.5 | 40A-GF-2.5 | 2.25 | 2.50 | 14 | 9.0mm |
| 40A-SM-4.0 | 40A-SF-4.0 | 40A-GM-4.0 | 40A-GF-4.0 | 2.85 | 4.0 | 12 | 9.5mm |
| 40A-SM-6.0 | 40A-SF-6.0 | 40A-GM-6.0 | 40A-GF-6.0 | 3.50 | 6.0 | 10 | 9.5mm |

Cable Connector Part Number Guidelines

Surtable for standard cable connector specifications

| Wire gauge | Number of pins | Cable diameter range ϕ | M | PG |
|--------------------|----------------|-----------------------------|-------|---------|
| 0.5mm ² | 4 | 6.7-9.7 | 20 | 11,13.5 |
| | 6 | 7.6-10.6 | 20 | 11,13.5 |
| | 10 | 9.4-12.8 | 20,25 | 13.5,16 |
| | 16 | 10.7-13.9 | 20,25 | 16,21 |
| AWG20 | 24 | 13.5-16.7 | 25 | 21 |
| | 35 | 16-18.6 | 25,32 | 21,29 |
| | 40 | 16.6-19.2 | 25,32 | 21,29 |
| | 61 | 20.3-23.1 | 32 | 29 |

| Wire gauge | Number of pins | Cable diameter range ϕ | M | PG |
|--------------------|----------------|-----------------------------|-------|---------|
| 1.5mm ² | 4 | 9.7-11.8 | 20 | 11,13.5 |
| | 6 | 10.8-14.2 | 20,25 | 13.5,16 |
| | 11 | 13.6-16.8 | 25 | 21 |
| | 16 | 15.8-18.4 | 25,32 | 21,29 |
| AWG16 | 25 | 20.2-23 | 32 | 29 |
| | 32 | 23.8-24.5 | 32,40 | 29,36 |
| | 42 | 25.8-29 | 40 | 36 |
| | 61 | 28.6-31.8 | 40,50 | 36,42 |

| Wire gauge | Number of pins | Cable diameter range ϕ | M | PG |
|---------------------|----------------|-----------------------------|-------|---------|
| 0.75mm ² | 4 | 7.9-10.3 | 20 | 11,13.5 |
| | 6 | 8.9-12.3 | 20,25 | 13.5,16 |
| | 10 | 10.4-13.8 | 20,25 | 16,21 |
| | 18 | 13-16.2 | 25 | 21 |
| | 25 | 15.9-18.5 | 25,32 | 21,29 |
| | 32 | 17.1-19.7 | 25,32 | 21,29 |
| AWG18 | 40 | 19-21.4 | 32 | 29 |
| | 50 | 21.3-24.1 | 32 | 29 |
| | 61 | 22.6-25.4 | 32,40 | 29,36 |

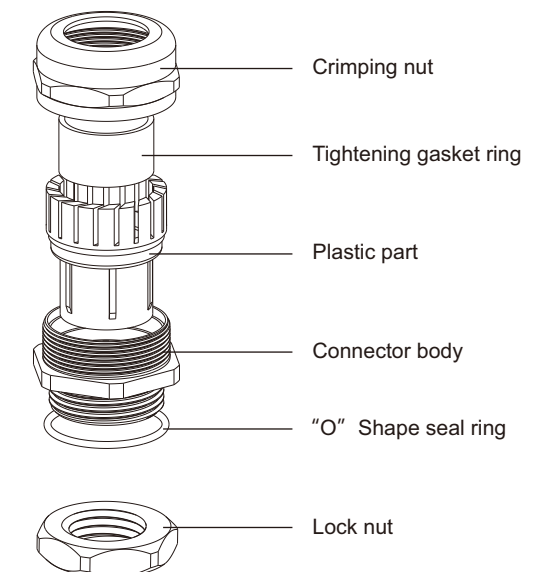
| Wire gauge | Number of pins | Cable diameter range ϕ | M | PG |
|--------------------|----------------|-----------------------------|-------|---------|
| 2.5mm ² | 4 | 11.7-14.4 | 20,25 | 11,13.5 |
| | 6 | 13.6-16.7 | 25 | 13.5,16 |
| | 11 | 18-20.6 | 25,32 | 21 |
| | 16 | 20.6-23.4 | 32 | 21,29 |
| | 25 | 26.4-29.6 | 40 | 29 |
| | 34 | 31.3-33.1 | 50 | 29,36 |
| AWG14 | 50 | 37-39.4 | 50 | 36 |
| | 61 | 39-41.5 | 63 | 36,42 |

| Wire gauge | Number of pins | Cable diameter range ϕ | M | PG |
|--------------------|----------------|-----------------------------|-------|---------|
| 1.0mm ² | 4 | 8.4-10.7 | 20 | 11,13.5 |
| | 6 | 9.2-12.6 | 20,25 | 13.5,16 |
| | 10 | 11-14.4 | 20,25 | 16,21 |
| | 16 | 13-16.2 | 25 | 21 |
| | 24 | 16.5-19.1 | 25,32 | 21,29 |
| AWG16-18 | 34 | 19.4-21.8 | 32 | 29 |
| | 48 | 22-24.8 | 32 | 29 |
| | 61 | 24.5-27.2 | 32,40 | 29,36 |

| Wire gauge | Number of pins | Cable diameter range ϕ | M | PG |
|--------------------|----------------|-----------------------------|-------|---------|
| 4.0mm ² | 2 | 10.7-14.1 | 20,25 | 13.5,16 |
| | 4 | 13-16.4 | 25 | 21 |
| | 5 | 14.3-17.7 | 25,32 | 21,29 |
| | 7 | 16.2-19.6 | 25,32 | 21,29 |
| AWG10-12 | 11 | Approx.24.5 | 40 | 36 |

Cross reference form PG thread to Metric thread

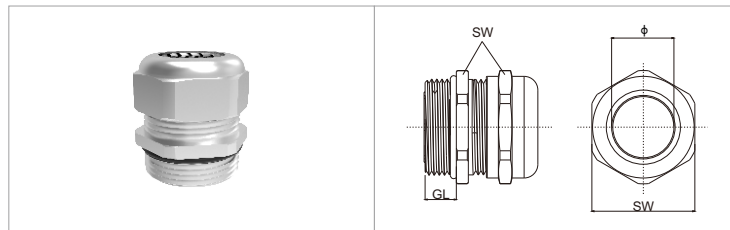
| PG | Metric |
|---------|--------|
| PG 11 | M20 |
| PG 13.5 | |
| PG 16 | |
| PG 21 | M25 |
| PG 29 | M32 |
| PG 36 | M40 |
| PG 42 | M50 |
| PG 48 | M63 |



Cable Glands

Metal cable gland

Material: Brass nickel plated
 Seal material: NBR
 Degree of protection: IP68
 Press seal material: PA
 Temperature range: -40~100°C



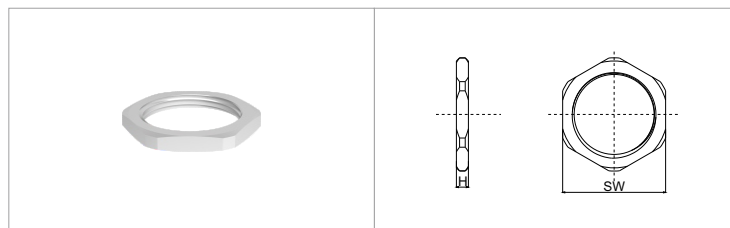
Unit:mm

| PG thread | Clamp range(φ) | SW | GL | Type |
|-----------|----------------|----|----|-------------|
| PG7 | 3-6.5 | 14 | 6 | DDL-PG7M |
| PG9 | 4-8 | 17 | 7 | DDL-PG9M |
| PG11 | 5-10 | 20 | 8 | DDL-PG11M |
| PG13.5 | 6-12 | 22 | 8 | DDL-PG13.5M |
| PG16 | 8-14 | 24 | 8 | DDL-PG16M |
| PG21 | 13-18 | 30 | 8 | DDL-PG21M |
| PG29 | 18-25 | 40 | 9 | DDL-PG29M |
| PG36 | 22-32 | 50 | 10 | DDL-PG36M |
| PG42 | 31-38 | 58 | 10 | DDL-PG42M |
| PG48 | 37-44 | 64 | 12 | DDL-PG48M |

| Metric | Clamp range(φ) | SW | GL | Type |
|---------|----------------|----|----|----------|
| M12x1.5 | 3-6.5 | 14 | 6 | DDL-M12M |
| M16x1.5 | 5-10 | 18 | 7 | DDL-M16M |
| M20x1.5 | 6-12 | 22 | 8 | DDL-M20M |
| M25x1.5 | 13-18 | 30 | 8 | DDL-M25M |
| M32x1.5 | 18-25 | 40 | 9 | DDL-M32M |
| M40x1.5 | 22-32 | 50 | 10 | DDL-M40M |
| M50x1.5 | 30-38 | 58 | 10 | DDL-M50M |
| M63x1.5 | 37-44 | 68 | 12 | DDL-M63M |

Metal lock nut

Material: Brass nickel plated
 Temperature range: -40~100°C



Unit:mm

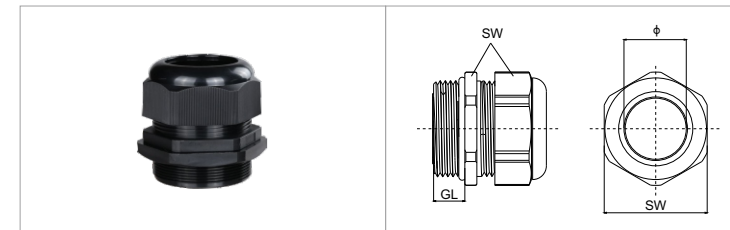
| PG thread | Thickness(H) | SW | Type |
|-----------|--------------|----|-------------|
| PG7 | 2.5 | 14 | DLM-PG7M |
| PG9 | 2.8 | 18 | DLM-PG9M |
| PG11 | 3.0 | 20 | DLM-PG11M |
| PG13.5 | 3.0 | 22 | DLM-PG13.5M |
| PG16 | 3.0 | 24 | DLM-PG16M |
| PG21 | 3.5 | 31 | DLM-PG21M |
| PG29 | 4.0 | 40 | DLM-PG29M |
| PG36 | 5.0 | 52 | DLM-PG36M |
| PG42 | 5.0 | 58 | DLM-PG42M |
| PG48 | 5.5 | 64 | DLM-PG48M |

| Metric | Thickness(H) | SW | Type |
|---------|--------------|----|----------|
| M12x1.5 | 2.5 | 14 | DLM-M12M |
| M16x1.5 | 2.8 | 18 | DLM-M16M |
| M20x1.5 | 3.0 | 22 | DLM-M20M |
| M25x1.5 | 3.0 | 27 | DLM-M25M |
| M32x1.5 | 3.5 | 35 | DLM-M32M |
| M40x1.5 | 4.5 | 43 | DLM-M40M |
| M50x1.5 | 5.0 | 55 | DLM-M50M |
| M63x1.5 | 5.5 | 68 | DLM-M63M |

Cable Glands

Plastics Cable gland

Material: Nylon
 Seal material: NBR
 Degree of protection: IP68
 Press seal material: PA
 Temperature range: -40~100°C



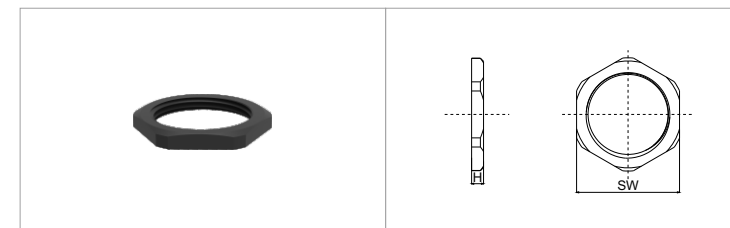
Unit:mm

| PG thread | Clamp range(φ) | SW | GL | Type |
|-----------|----------------|----|-----|-------------|
| PG7 | 3-6.5 | 15 | 9.0 | DDL-PG7P |
| PG9 | 4-8 | 19 | 9.0 | DDL-PG9P |
| PG11 | 5-10 | 22 | 9.0 | DDL-PG11P |
| PG13.5 | 6-12 | 24 | 9.0 | DDL-PG13.5P |
| PG16 | 7-12 | 27 | 10 | DDL-PG16P |
| PG21 | 13-18 | 33 | 12 | DDL-PG21P |
| PG29 | 18-25 | 42 | 12 | DDL-PG29P |
| PG36 | 22-32 | 52 | 16 | DDL-PG36P |
| PG42 | 32-38 | 59 | 18 | DDL-PG42P |
| PG48 | 37-44 | 64 | 15 | DDL-PG48P |

| Metric | Clamp range(φ) | SW | GL | Type |
|---------|----------------|----|----|----------|
| M12x1.5 | 3-6.5 | 15 | 9 | DDL-M12P |
| M16x1.5 | 4-8 | 19 | 9 | DDL-M16P |
| M20x1.5 | 6-12 | 24 | 9 | DDL-M20P |
| M25x1.5 | 11-15 | 32 | 12 | DDL-M25P |
| M32x1.5 | 16-21 | 35 | 12 | DDL-M32P |
| M40x1.5 | 22-32 | 51 | 16 | DDL-M40P |
| M50x1.5 | 32-38 | 60 | 18 | DDL-M50P |
| M63x1.5 | 37-44 | 65 | 15 | DDL-M63P |

Plastics lock nut

Material: Nylon
 Temperature range: -40~100°C



Unit:mm

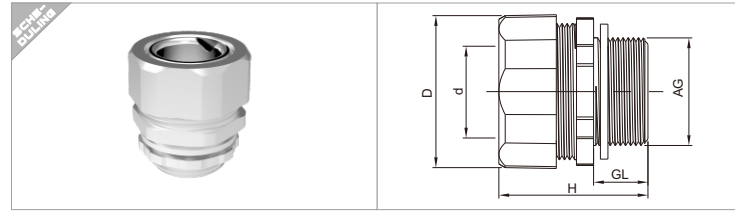
| PG thread | Thickness(H) | SW | Type |
|-----------|--------------|----|-------------|
| PG7 | 4.5 | 18 | DLM-PG7P |
| PG9 | 4.5 | 22 | DLM-PG9P |
| PG11 | 5.0 | 24 | DLM-PG11P |
| PG13.5 | 5.0 | 27 | DLM-PG13.5P |
| PG16 | 5.5 | 30 | DLM-PG16P |
| PG21 | 6.0 | 35 | DLM-PG21P |
| PG29 | 7.0 | 45 | DLM-PG29P |
| PG36 | 8.0 | 58 | DLM-PG36P |
| PG42 | 8.0 | 65 | DLM-PG42P |
| PG48 | 8.0 | 70 | DLM-PG48P |

| Metric | Thickness(H) | SW | Type |
|---------|--------------|----|----------|
| M12x1.5 | 4.5 | 18 | DLM-M12P |
| M16x1.5 | 5.0 | 22 | DLM-M16P |
| M20x1.5 | 5.0 | 27 | DLM-M20P |
| M25x1.5 | 5.2 | 33 | DLM-M25P |
| M32x1.5 | 6.0 | 38 | DLM-M32P |
| M40x1.5 | 8.0 | 52 | DLM-M40P |
| M50x1.5 | 8.0 | 60 | DLM-M50P |
| M63x1.5 | 8.0 | 73 | DLM-M63P |

Cable Glands

Outer thread tube connector

Material: Zinc alloy, Zinc plated or Chromium plated
 Specialty: one end is connector to flexible, the other thread end connected to switch chest or equipment, the structure is compact, the surface is a nitroten



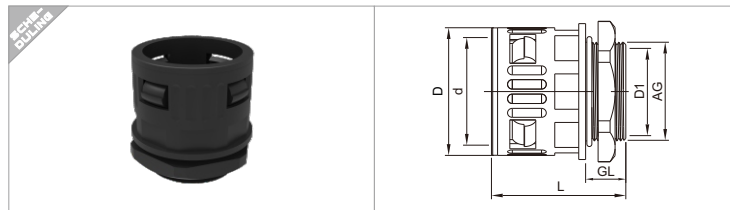
Unit:mm

| PG thread | Fits tubing size(d) | GL | D | H | Type |
|-----------|---------------------|------|------|----|-------------|
| PG9 | 10 | 8.5 | 26 | 30 | DBL-PG9M |
| PG11 | 12 | 10.5 | 27.5 | 32 | DBL-PG11M |
| PG13.5 | 15 | 11.5 | 31.5 | 34 | DBL-PG13.5M |
| PG16 | 15 | 12.5 | 32 | 34 | DBL-PG16M |
| PG21 | 20 | 13.5 | 38 | 37 | DBL-PG21M |
| PG29 | 25 | 15 | 45.5 | 44 | DBL-PG29MS |
| PG29 | 32 | 14 | 55 | 52 | DBL-PG29M |
| PG36 | 38 | 17 | 62 | 51 | DBL-PG36M |
| PG42 | 38 | 17 | 62 | 51 | DBL-PG42M |
| PG48 | 51 | 19 | 77.5 | 56 | DBL-PG48M |

| Metric | Fits tubing size(d) | GL | D | H | Type |
|---------|---------------------|------|------|----|-----------|
| M16x1.5 | 8 | 8 | 24 | 28 | DBL-M16MS |
| M16x1.5 | 10 | 8 | 25.5 | 30 | DBL-M16M |
| M20x1.5 | 12 | 10 | 27.5 | 32 | DBL-M20M |
| M25x1.5 | 20 | 12 | 37.5 | 37 | DBL-M25M |
| M32x1.5 | 20 | 12.5 | 37.5 | 37 | DBL-M32MS |
| M32x1.5 | 25 | 15 | 46 | 41 | DBL-M32M |
| M36x2.0 | 25 | 13 | 45 | 44 | DBL-M36M |
| M40x1.5 | 32 | 15 | 55 | 47 | DBL-M40M |

Quick tube connector

Material: Nylon 6
 Temperature range: -40~120°C



Unit:mm

| PG thread | Fits tubing size(d) | GL | D1 | D | H | Type |
|-----------|---------------------|------|------|------|------|-------------|
| PG7 | AD10.0 | 9.5 | 7.5 | 17.0 | 34.5 | DCP-PG9P |
| PG9 | AD13.0 | 9.5 | 11.5 | 20.0 | 34.5 | DCP-PG9P |
| PG11 | AD15.8 | 9.5 | 14.0 | 23.0 | 36.0 | DCP-PG11P |
| PG13.5 | AD18.5 | 11.0 | 16.0 | 26.0 | 39.0 | DCP-PG13.5P |
| PG16 | AD21.2 | 13.0 | 18.0 | 29.5 | 44.0 | DCP-PG16P |
| PG21 | AD28.5 | 13.0 | 23.5 | 37.0 | 47.0 | DCP-PG21P |
| PG29 | AD34.5 | 11.5 | 30.5 | 43.5 | 47.0 | DCP-PG29P |
| PG36 | AD42.5 | 13.5 | 40.0 | 51.0 | 52.0 | DCP-PG36P |

| Metric | Fits tubing size(d) | GL | D1 | D | H | Type |
|---------|---------------------|------|------|------|------|-----------|
| M12x1.5 | AD10.0 | 10.0 | 8.0 | 17.0 | 34.5 | DCP-M12P |
| M16x1.5 | AD13.0 | 9.5 | 11.5 | 20.0 | 34.5 | DCP-M16P |
| M18x1.5 | AD15.8 | 9.5 | 14.0 | 23.0 | 36.0 | DCP-M18P |
| M20x1.5 | AD18.5 | 11.0 | 16.0 | 26.0 | 39.0 | DCP-M20PS |
| M20x1.5 | AD21.2 | 13.0 | 15.0 | 29.5 | 44.0 | DCP-M20P |
| M25x1.5 | AD21.2 | 13.0 | 18.0 | 29.5 | 44.5 | DCP-M25PS |
| M25x1.5 | AD28.5 | 13.0 | 20.5 | 37.0 | 47.0 | DCP-M25P |
| M32x1.5 | AD28.5 | 13.0 | 24.0 | 37.0 | 47.0 | DCP-M32P |
| M40x1.5 | AD34.5 | 11.0 | 30.0 | 43.5 | 48.0 | DCP-M40PS |
| M40x1.5 | AD42.5 | 13.5 | 33.5 | 51.0 | 52.0 | DCP-M40P |
| M50x1.5 | AD54.5 | 13.5 | 42.5 | 63.5 | 53.5 | DCP-M50P |
| M63x1.5 | AD54.5 | 14.0 | 55.0 | 63.5 | 53.5 | DCP-M635P |

Tools



Crimping tool

Wire gauge:(TL1)0.14~4.0mm²
 Order NO:TL1-4.0



Removal tool (10A)

Matching:DD,DDD,DM
 Order NO:RT-10A



Removal tool (16A)

Matching:DEE,DM
 Order NO:RT-16A



Removal tool (40A)

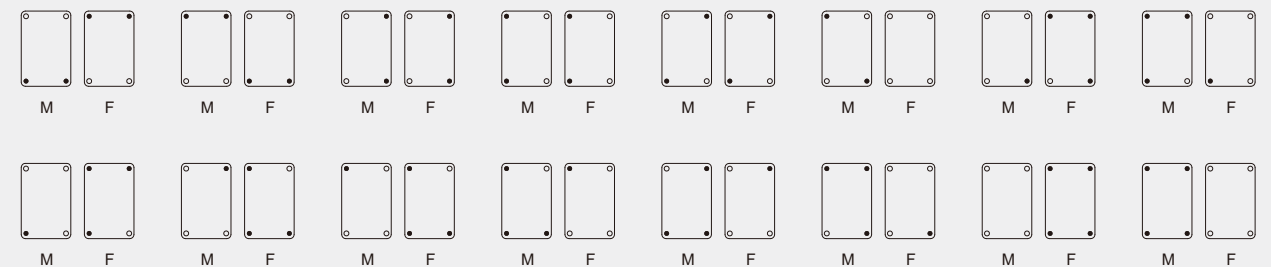
Matching:DM
 Order NO:RT-40A

Coding

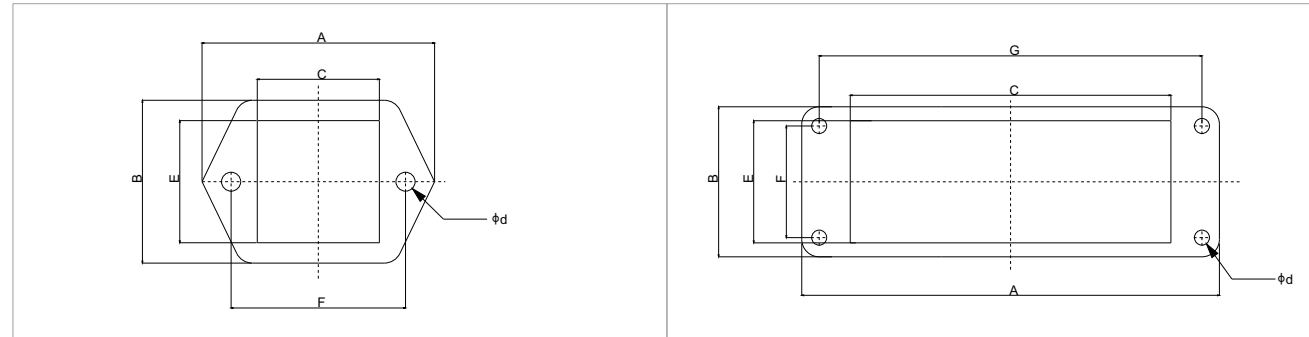
Coding system with guide pins bushes

| Guide bush | Type | Dimension |
|------------|-------------------|-----------|
| | DBM1-DCRF-M3-00AH | |
| | DBM1-DCRM-M3-00AH | |

For hoods housings with one insert one frame



Housings Mounting Dimensions



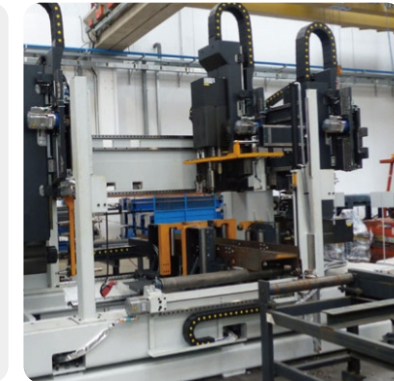
| Housings type | Mounting type | Dimensions(mm) | | | | | | |
|---------------|---------------|----------------|------|-------|------|------|-----|----------|
| | | A | B | C | E | F | G | ϕD |
| D3A | Bulkhead | 40 | 28 | 21 | 21 | 30 | - | 3.3 |
| | Surface | 40 | 28 | - | - | 30 | - | 3.3 |
| D10A | Bulkhead | 81 | 29.5 | 57.5 | 24 | 17.5 | 70 | 3.6 |
| | Surface | 80 | 50 | - | - | 40 | 48 | 4.5 |
| D16A | Bulkhead | 96 | 29.5 | 73.7 | 24 | 17.5 | 86 | 3.6 |
| | Surface | 96 | 50 | - | - | 40 | 64 | 4.5 |
| D32A | Bulkhead | 102 | 56 | 74.2 | 48.4 | 42 | 92 | 4.3 |
| | Surface | 106 | 57 | - | - | 46 | 94 | 5.5 |
| D6B | Bulkhead | 80 | 43 | 52.2 | 35 | 32 | 70 | 4.3 |
| | Surface | 82 | 52 | - | - | 40 | 70 | 5.5 |
| D10B | Bulkhead | 93 | 43 | 65.2 | 35 | 32 | 83 | 4.3 |
| | Surface | 94 | 52 | - | - | 40 | 82 | 5.5 |
| D16B | Bulkhead | 113 | 43 | 85.5 | 35 | 32 | 103 | 4.3 |
| | Surface | 117 | 57 | - | - | 45 | 105 | 5.5 |
| D24B | Bulkhead | 140 | 43 | 112.2 | 35 | 32 | 130 | 4.3 |
| | Surface | 144 | 57 | - | - | 45 | 132 | 5.5 |
| D32B | Bulkhead | 124 | 79 | 85.5 | 71 | 65 | 110 | 5.5 |
| | Surface | 124.5 | 81 | - | - | 67 | 112 | 5.5 |
| D48B | Bulkhead | 165 | 90 | 124 | 82 | 70 | 148 | 7 |
| | Surface | 132 | 120 | - | - | 106 | 111 | 6.5 |

FIELD OF APPLICATION

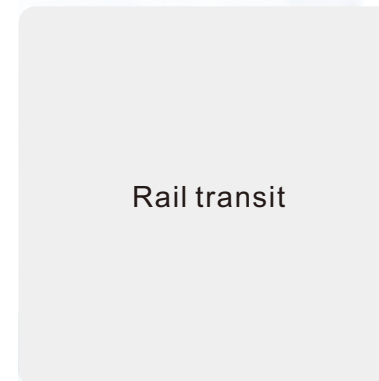
DEGSON connectors are widely used in hot runner mold, robot, industrial automation, CNC equipment, textile machinery, rail transit, electric power industry, energy, wind power generation and so on various equipments requiring electrical and signal connection; it can meet electrical or signal connection requirement of different fields and situations.



Transportation technology



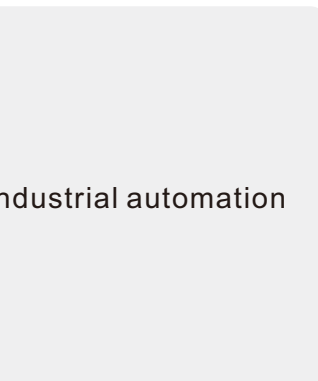
CNC equipment



Rail transit



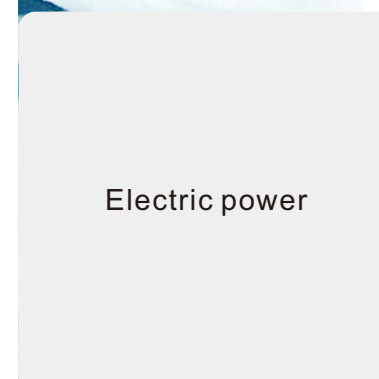
Industrial automation



Energy



Robot



Electric power



Hot runner mold

