

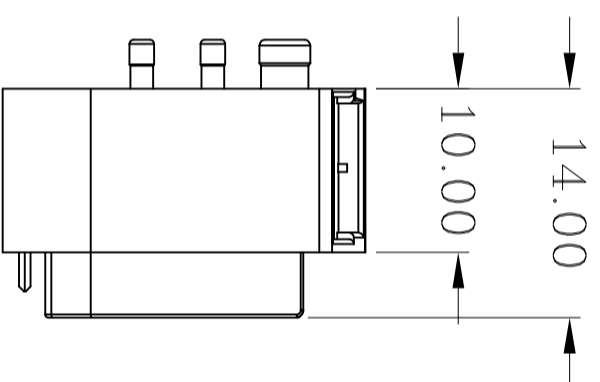
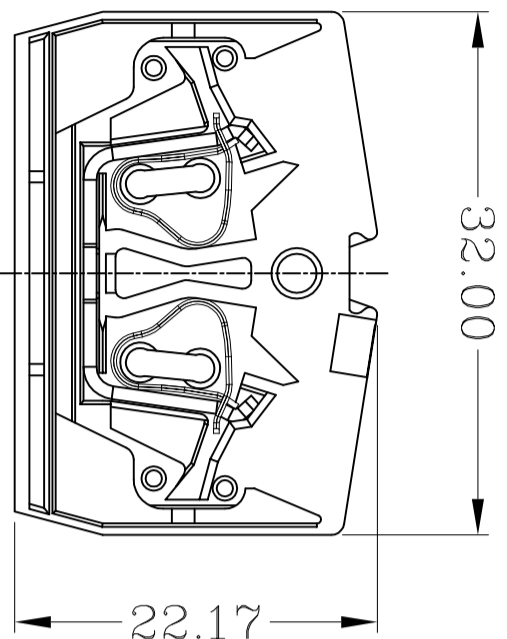
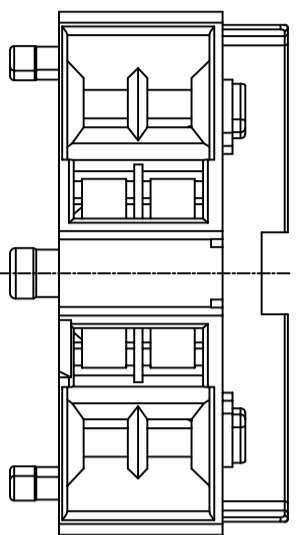


# 宁波速普电子有限公司

## NINGBO SUPPU ELECTRONICS.CO.,LTD

### 产品规格书

### Product Specification



#### IEC 额定数据/IEC Rated data

|  |                        |
|--|------------------------|
| 接线范围/Wire range                                      | 0.2-2.5mm <sup>2</sup> |
| 单股导线/Solid   | 0.2-2.5mm <sup>2</sup> |
| 软导线/Stranded   | 0.2-2.5mm <sup>2</sup> |
| 带端头软导线/Stranded with ferrules without plastic sleeve | 0.2-1.5mm <sup>2</sup> |
| 带预绝缘端头软导线/Stranded with ferrules with plastic sleeve | 0.2-1.5mm <sup>2</sup> |
| 剥线长度/Strip length                                    | 8-9mm                  |
| 额定电压/Rated voltage                                   | 800V                   |
| 额定电流/Rated current                                   | 24A                    |
| 额定脉冲耐受电压/Rated surge voltage                         | 8KV                    |
| 污染等级/Pollution degree                                | 3                      |
| 过电压类别/Surge voltage category                         | III                    |

#### UL 额定数据/UL Rated data

|                    |      |      |   |
|--------------------|------|------|---|
| 额定电流/Rated current | B    | C    | D |
| 额定电压/Rated voltage | 20A  | 20A  | — |
| 接线范围/Wire range    | 600V | 600V | — |

#### 其他信息/Other information

|                                       |                  |
|---------------------------------------|------------------|
| 塑件/Housing                            | PA66             |
| 触点材料/Contact                          | 铜合金/Copper alloy |
| 镀层/Coating                            | 锡/Tin Plated     |
| 阻燃等级/Flame retardant rating           | UL94-V0          |
| 使用环境温度/Usage ambient temperature      | -25°C - +70°C    |
| 储存及运输环境温度/Storage ambient temperature | -40°C - +85°C    |

#### 认证/Approval



#### 订货信息 Order Info

| 订货号<br>PART NUMBER | 颜色<br>COLOR      |
|--------------------|------------------|
| 254351             | 灰色 Gray          |
| 254352             | 橙色 Orange        |
| 254353             | 白灰色 Light Gray   |
| 254354             | 蓝色 Blue          |
| 254355             | 黄色 Yellow        |
| 254356             | 绿色 Green         |
| 254357             | 黄绿色 Green-yellow |

未标注公差参照GB/T14486

| 基本尺寸<br>公差 | 0-3   | >3-6  | >6-10 | >10-14 | >14-18 | >18-24 | >24-30 | >30-40 | >40-50 | >50-65 | >65-80 | >80-100 | >100-120 | >120-140 |
|------------|-------|-------|-------|--------|--------|--------|--------|--------|--------|--------|--------|---------|----------|----------|
|            | ±0.08 | ±0.09 | ±0.10 | ±0.12  | ±0.14  | ±0.16  | ±0.18  | ±0.21  | ±0.24  | ±0.28  | ±0.32  | ±0.36   | ±0.41    | ±0.46    |

|  |         |      |
|--|---------|------|
|  | Rev. 01 | Name |
|  | 单位/Unit | mm   |