

Transmittal, reproduction, dissemination and/or editing of this document as well as utilization of its contents and communication thereof to others without express authorization are prohibited.
未经允许禁止传输、复制、编辑该文档，以及利用其内容进行交流

REVISION RECORD				
REV	CN	DESCRIPTION	DRFT	DATE

- General information:
1. Material: Aluminium die-cast
 2. Colour: Grey
 3. Surface: Powder-coated
 4. Operating temperature: -40°C~+125°C
 5. Degree of protection acc.to DIN EN60529 for coupled connector: IP65
 6. Locking element:
 - Locking type: Single locking latch
 - Material: Metal galvanized/nickel plating
 7. Outgoing direction: Side entry
 8. Thread specifications: M/PG
 9. Hoods&Housings seal: NBR
 10. Undimensioned Tolerances:

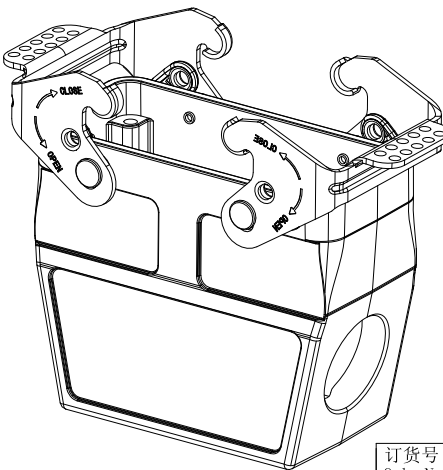
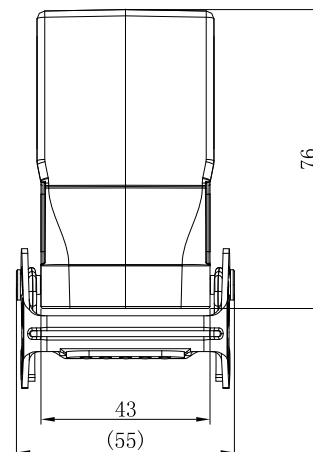
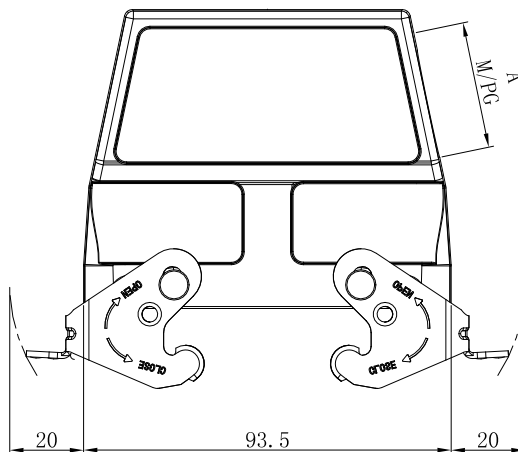
Pitch	Range in mm	Nominal Dimension	Range in mm		
Over 6	Over 10	Over 30	Over 60	Over 100	Over 150
to 6	to 10	to 30	to 60	to 100	to 150
±0.15	±0.20	±0.30	±0.50	±0.70	±1.00
±2'					

HOW TO ORDER:

S16B-BM-1L.M

- Locking lever — 1L: 1 levers(plastic) 2B: 2 bolts
2L: 2 levers(plastic) 4B: 4 bolts
1L.M: 1 levers(Metal)
2L.M: 2 levers(Metal)
- Housing type — SE: Side entry
SEH: Side entry-high construction
TE: Top entry
TEH: Top entry-high construction
BM: Bulkhead mounted
SM: Sueface mounted
SMH: Sueface mounted-high construction
CC: Cable to cable
CCH: Cable to cable high construction

- Sereies — S3A: 3A Compact type S6B: 6B Standard type
S10A: 10A Compact type S10B: 10B Standard type
S16A: 16A Compact type S16B: 16B Standard type
S32A: 32A Compact type S32B: S32B Standard type
S48B: S48B Standard type



Order number	A
S16B-SEH-2L. M-M25	M25 × 1.5
S16B-SEH-2L. M-M32	M32 × 1.5
S16B-SEH-2L. M-M40	M40 × 1.5
S16B-SEH-2L. M-PG21	PG21
S16B-SEH-2L. M-PG29	PG29

借通用件登记
Common Part

原图号
Old Draw. No.

底图总号
Assembly No.

订货号 Order No.	S16B-SEH-2L. M-XXX		名称 Name	S16B侧出线 高结构金属两扣上壳	未注公差 Tolerance	表面 Surface	
项目 Item	签字 Signature	日期 Date	图号 Drawing No.	/	Tolerances Table	VDI21	
设计 Design	CHH	2024.07.18	材料 Material	/	版本号 Revision Number	重量 Weight	比例 Scale
审核 Check	CHH	2024.07.18	物料号 Item No.	/	第1页/共1页 1 of 1	mm	1:1
工艺 Process	-	-		/			
标准化 Unify	-	-		/			
批准 Approve	XJ	2024.07.18		/	宁波盛普电子有限公司 NINGBO SUPU ELECTRONICS CO.,LTD.		

1

2

3

4

5

6

7

8

A

B

C

D

E

F