

Transmittal, reproduction, dissemination and/or editing of this document as well as utilization of its contents and communication thereof to others without express authorization are prohibited.

未经允许禁止传输、复制、编辑该文档，以及利用其内容进行交流

REVISION RECORD

REV	CN	DESCRIPTION	DRFT	DATE

General information:

- 1.Material: Aluminium die-cast
- 2.Materia, cover: Aluminium die-cast
- 3.Colour: Grey
- 4.Surface: Powder-coated
- 5.Operating temperature: -40°C~+125°C
- 6.Degree of protection acc.to DIN EN60529 for coupled connector: IP65
- 7.Outgoing direction: Side outgoing line
- 8.Thread size: M/PG
- 9.Hoods&Housings seal: NBR
- 10.Undimensioned Tolerances:

Pitch Range in mm	Nominal Dimension Range in mm		
Over 6 To 10	Over 30 To 60	Over 100 To 150	0.1/10
Over 10 To 24	Over 60 To 100	Over 150 To 200	0.15/10
±0.15	±0.30	±0.50	±2°

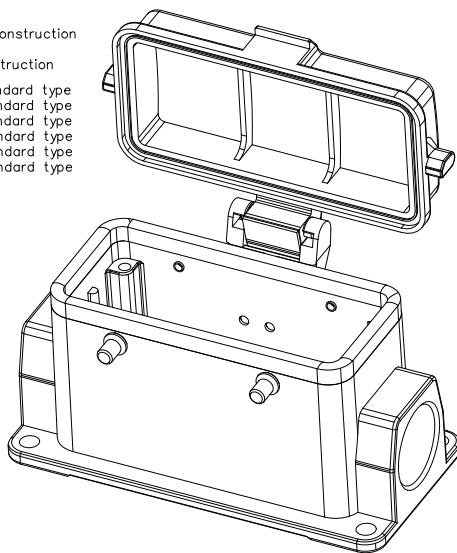
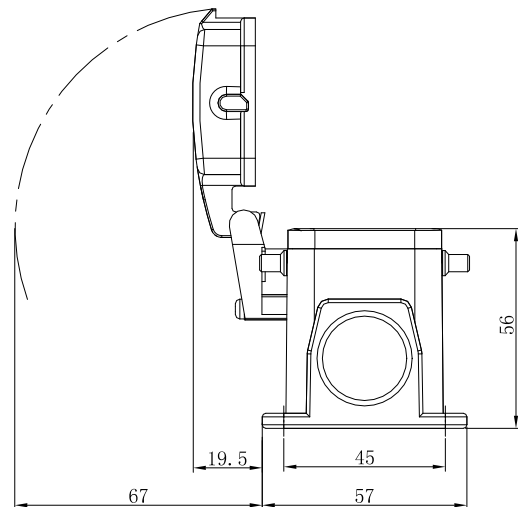
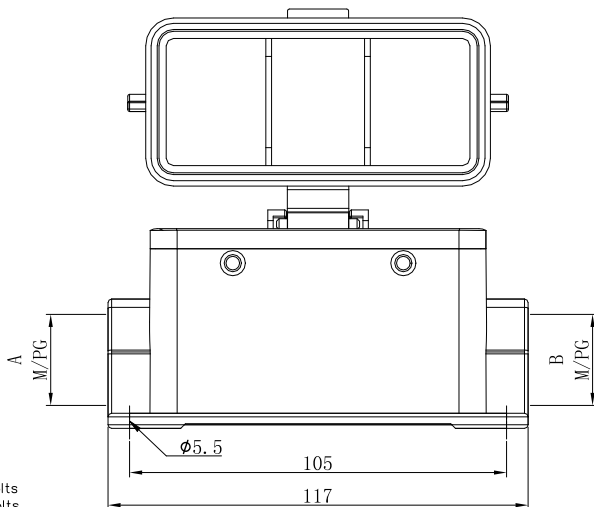
HOW TO ORDER:

S16B-BM-1L.M

- Locking lever — 1L: 1 levers(plastic) 2B: 2 bolts  
 2L: 2 levers(plastic) 4B: 4 bolts  
 1L.M: 1 levers(Metal)  
 2L.M: 2 levers(Metal)

- Housing type — SE: Side entry  
 SEH: Side entry-high construction  
 TE: Top entry  
 TEH: Top entry-high construction  
 BM: Bulkhead mounted  
 SM: Sueface mounted  
 SMH: Sueface mounted-high construction  
 CC: Cable to cable  
 CCH: Cable to cable high construction

- Sereies — S3A: 3A Compact type S6B: 6B Standard type  
 S10A: 10A Compact type S10B: 10B Standard type  
 S16A: 16A Compact type S16B: 16B Standard type  
 S32A: 32A Compact type S24B: S24B Standard type  
 S32B: S32B Standard type  
 S48B: S48B Standard type



Order number	A	B
S16B-SM-4B-M25-MC	M25×1.5	/
S16B-SM-4B-2M25-MC	M25×1.5	M25×1.5
S16B-SM-4B-PG21-MC	PG21	/
S16B-SM-4B-2PG21-MC	PG21	PG21

Order No.	S16B-SM-4B-XXX-MC	Name	S16B表面安装四耳底座-XXX-金属盖子	Tolerance	Surface
Item	Signature	Date		Tolerances Table VDI21	
Design	CHH	2024.07.18	Drawing No.	Version Number	Weight
Check	CHH	2024.07.18	Material	MO	Scale
Process	-	-	Item No.	1 of 1	mm
Unify	-	-	...	SUPU 宁波盛普电子有限公司	
Approve	XJ	2024.07.18	/	NINGBO SUPU ELECTRONICS CO.,LTD.	

借通用件登记  
Common Part

原图号  
Old Draw. No.

底图总号  
Assembly No.