

Transmittal, reproduction, dissemination and/or editing of this document as well as utilization of its contents and communication thereof to others without express authorization are prohibited.
未经允许禁止传输、复制、编辑该文档，以及利用其内容进行交流

REVISION RECORD				
REV	CN	DESCRIPTION	DRFT	DATE

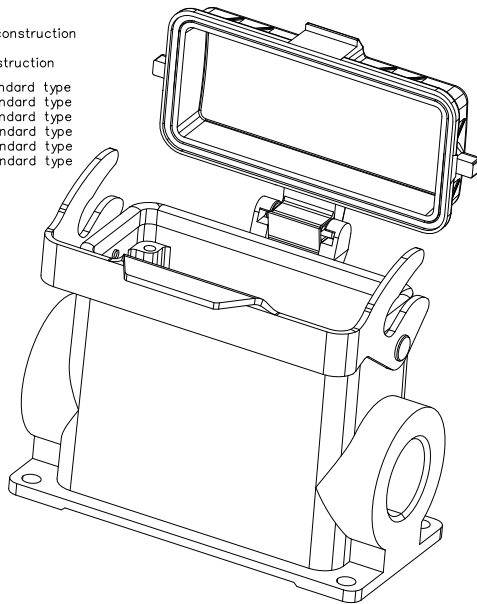
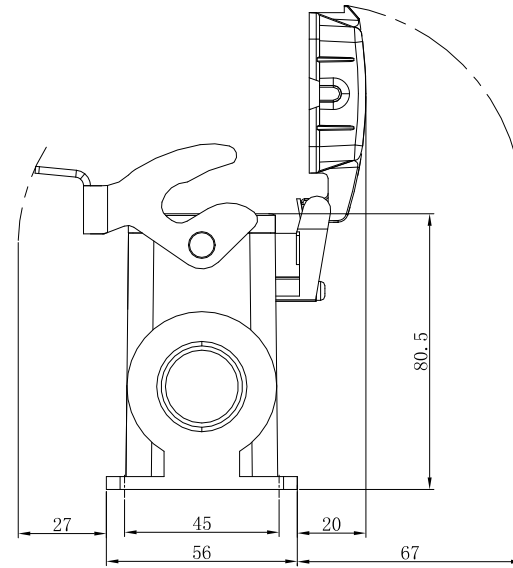
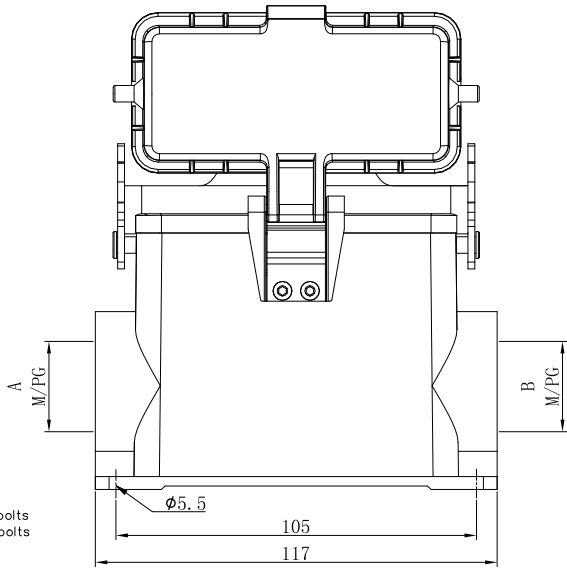
General information:
 1.Material: Aluminium die-cast
 2.Material, cover: Aluminium die-cast
 3.Colour: Grey
 4.Surface: Powder-coated
 5.Operating temperature: -40°C~+125°C
 6.Degree of protection acc.to DIN EN60529 for coupled connector: IP65
 7.Outgoing direction: Side outgoing line
 8.Locking element:
 Locking type: Single locking latch
 Material: Metal galvanized/nickel plating
 9.Thread size: M/PG
 10.Hoods&Housings seal: NBR
 11.Undimensioned Tolerances:

Pitch mm	Range In		Nominal Dimension		Range In		Tolerance
	TO	TO	TO	TO	TO	TO	
6	±0.15	±0.20	±0.30	±0.50	±0.70	±1.00	±2'

HOW TO ORDER:

S16B-BM-1L.M

- Locking lever — 1L: 1 levers(plastic) 2B: 2 bolts
 2L: 2 levers(plastic) 4B: 4 bolts
 1L.M: 1 levers(Metal)
 2L.M: 2 levers(Metal)
- Housing type — SE: Side entry
 SEH: Side entry—high construction
 TE: Top entry
 TEH: Top entry—high construction
 BM: Bulkhead mounted
 SM: Suface mounted
 SMH: Suface mounted—high construction
 CC: Cable to cable
 CCH: Cable to cable high construction
- Sereies — S3A: 3A Compact type S6B: 6B Standard type
 S10A: 10A Compact type S10B: 10B Standard type
 S16A: 16A Compact type S16B: 16B Standard type
 S32A: 32A Compact type S24B: S24B Standard type
 S32B: S32B Standard type
 S48B: S48B Standard type



Order number	A	B
S16B-SMH-1L. M-M32-MC	M32×1.5	/
S16B-SMH-1L. M-2M32-MC	M32×1.5	M32×1.5
S16B-SMH-1L. M-PG21-MC	PG21	/
S16B-SMH-1L. M-2PG21-MC	PG21	PG21
S16B-SMH-1L. M-PG29-MC	PG29	/
S16B-SMH-1L. M-2PG29-MC	PG29	PG29

Order No.	Signature	Date	Name	Surface	Tolerance	Weight	Scale
S16B-SMH-1L. M-XXX-MC	CHH	2024.07.17	CHH	S16B表面安装高结构金属单扣底座-XXX-金属盖子	未注公差	表面	VDI21
Item	CHH	2024.07.17	CHH	/	Tolerances Table	Revision Number	比例
Design	-	-	-	/	MO	/	1:1
Check	-	-	-	/	第1页/共1页 1 of 1	重量	mm
Process	-	-	-	/	宁波盛普电子有限公司 NINGBO SUPU ELECTRONICS CO.,LTD.		
Unify	-	-	-	/			
Approve	XJ	2024.07.17	XJ	/			

借通用件登记
Common Part

原图号
Old Draw. No.

底图总号
Assembly No.