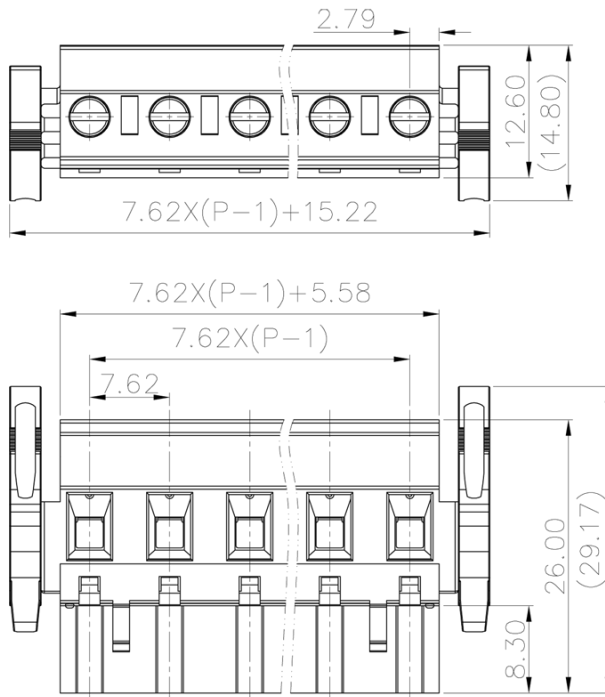


Category: 插拔式端子-插头/Plug-in terminal-plug

Product name: MC-RE7.62VXXC-I-0001

Product Description: 7.62mm , 630V , 18A CE,UL

### Product Picture



### 基本信息 /Basic Information

产品型号 SUPU ID	MC-RE7.62VXXC-I-0001
产品间距 Pitch	7.62mm
产品层数 Number of levels	1
产品位数 Number of connections	2P-24P
接线方式 Connection method	螺钉接线 Screw connection
防护等级 Protection Level	IP20

工作温度 Work temperature	-40~+105°C
--------------------------	------------

## IEC数据 /IEC Data

额定电流 Rated Current	18A		
额定电压 Rated Voltage	630V		
过压类别 Overvoltage category	III	III	II
污染等级 Pollution degree	3	2	2
额定冲击电压 Rated impulse voltage	6.0KV	6.0KV	6.0KV
额定电压 Rated Voltage	500V	630V	1000V
硬导线截面积 Conductor cross section solid	0.2-2.5mm <sup>2</sup>		
柔性导线截面积 Conductor cross section flexible	0.2-2.5mm <sup>2</sup>		
柔性导线截面积，带绝缘管套 Conductor cross section flexible,with furrule	0.2-2.5mm <sup>2</sup>		
锁线螺钉规格 Locking screw Specification	M3		
额定扭矩 Rated Torque	0.5N.m		
固定螺钉规格 Fixed Screw Specification	-		
额定扭矩 Rated Torque	-		
剥线长度 Stripping length	7-8mm		

## UL数据 /UL Data

使用组别 Use group	B	C	D
额定电流 Rated Current	15A	-	10A
额定电压 Rated Voltage	300V	-	300V

---

额定接线容量 Rated cross section	24-12AWG
-------------------------------	----------

---

## 材料信息 /Material Data

---

绝缘材料 Insulation material	PA66
绝缘材料组别 Insulation material group	I
阻燃等级，符合UL94 Flame retardant grade, UL94 compliance	V0
导体材料 Contact material	Copper alloy
导体表面镀层 Surface characteristics	Sn,Plated

---

## 产品认证 /Product Certification

---

认证图标  
Certificate



UL证书号  
UL file No.

VDE证书号  
VDE No.

TUV证书号  
TUV No.

---

Ningbo Supu Electronics Co.,Ltd

Zip code: 315303

Fax: +86 574-63288170

E-mail : askme@supu.cn

Address: No. 625, Kandun Town Street, Cixi  
City, Zhejiang Province

Switchboard: +86 574-63288158

E-mail : askme@supu.cn

Service Hotline: 400-626-6336



Code